

FINA TEHNO LED

Flexible Silicone LED Tubes

NOVO NEW
2023-2024



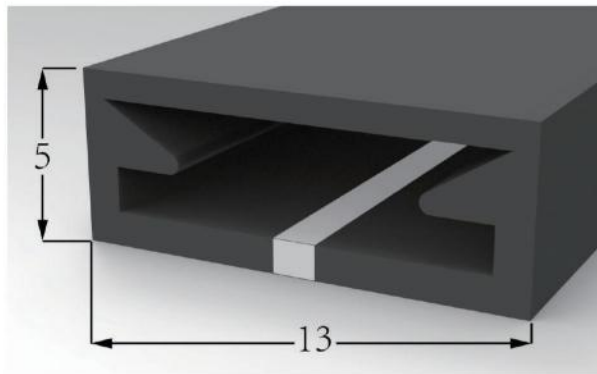
Application scenarios:





BLACK SERIES

Top View Black 4 S1305

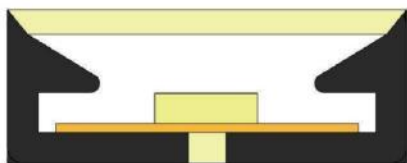


PCB Width (mm) 10

Weight (g/m) 46

Section size (mm) 5*13

Beam angle 120°



Lighting Direction: Top Lighting

Cutting mark: Yes



End cap with hole

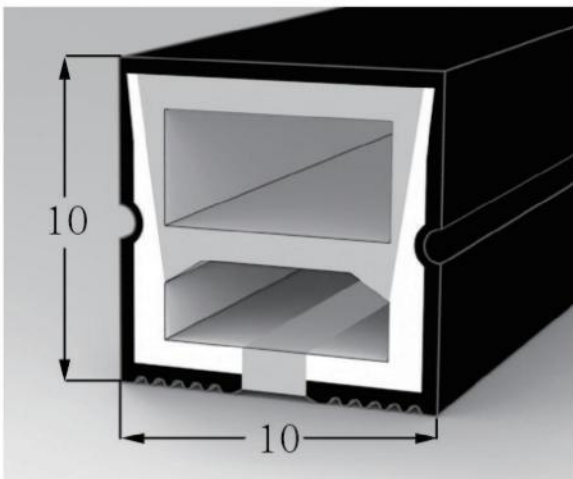
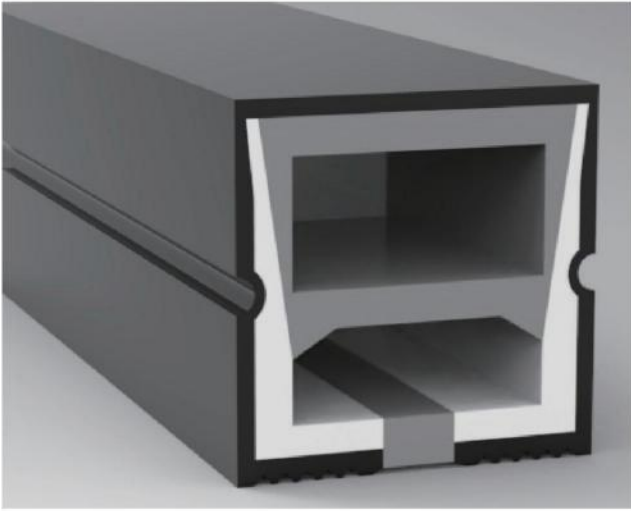


End cap no hole

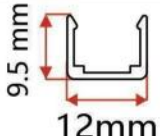


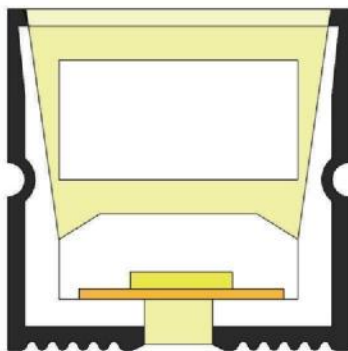
Plastic clip

Top View Black 4 S1010A



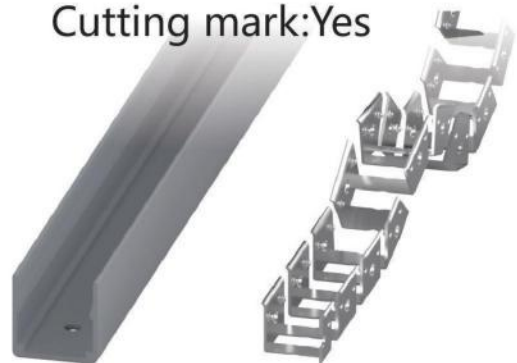
PCB Width(mm)	6
Weight(g/m)	72
Section size(mm)	10*10
Beam angle	120°

Aluminum Profile size(mm)  9.5 mm
12mm



Lighting Direction: Top Lighting

Cutting mark:Yes



End cap with hole

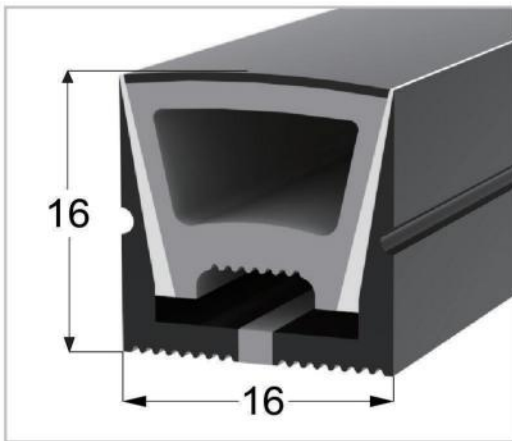
End cap no hole

Aluminum Clip

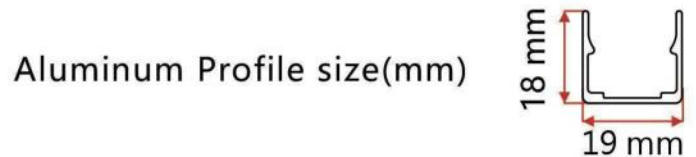
Aluminum Profile

Flexible Profile

Top View Black 4 S1616



PCB Width(mm)	10
Weight(g/m)	196
Section size(mm)	16*16
Beam angle	120°



Lighting Direction: Top Lighting
Cutting mark:Yes



End cap with hole

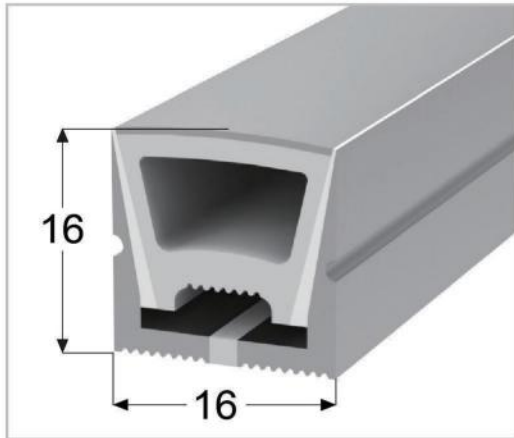
End cap no hole

Aluminum Clip

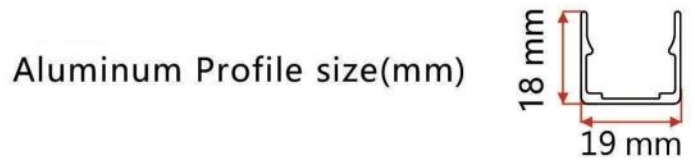
Aluminum Profile

Flexible Profile

Top View GREY 4 S1616



PCB Width(mm)	10
Weight(g/m)	197
Section size(mm)	16*16
Beam angle	120°



Lighting Direction: Top Lighting
Cutting mark:Yes



End cap with hole

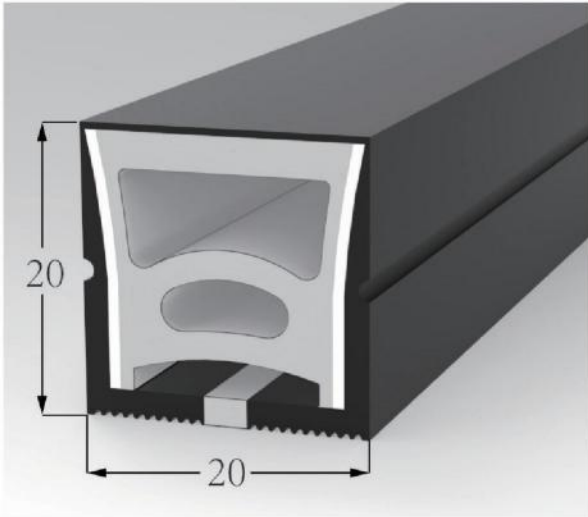
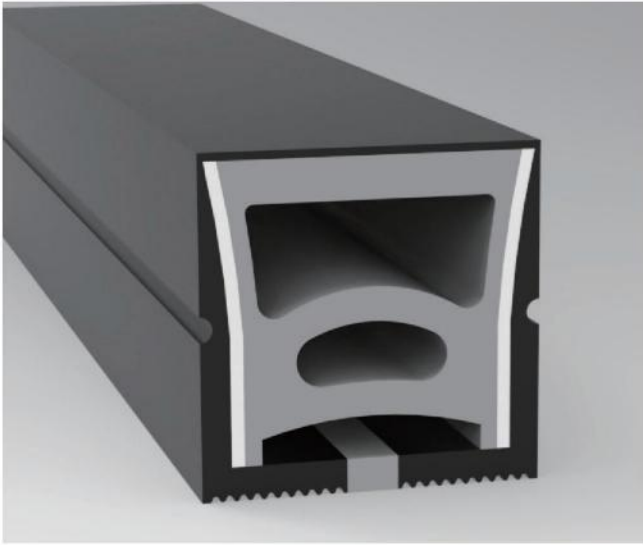
End cap no hole

Aluminum Clip

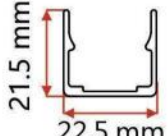
Aluminum Profile

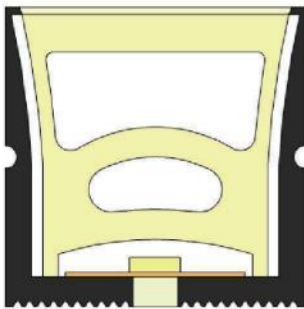
Flexible Profile

Top View Black 4 S2020A



PCB Width (mm)	12
Weight (g/m)	330
Section size (mm)	20*20
Beam angle	120°

Aluminum Profile size(mm) 



Lighting Direction: Top Lighting

Cutting mark: Yes



End cap with hole

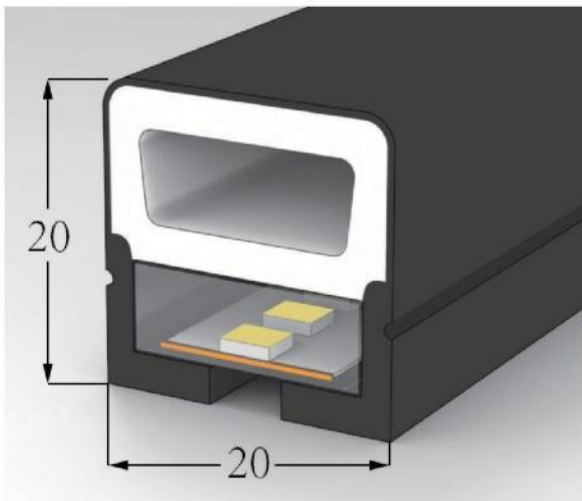
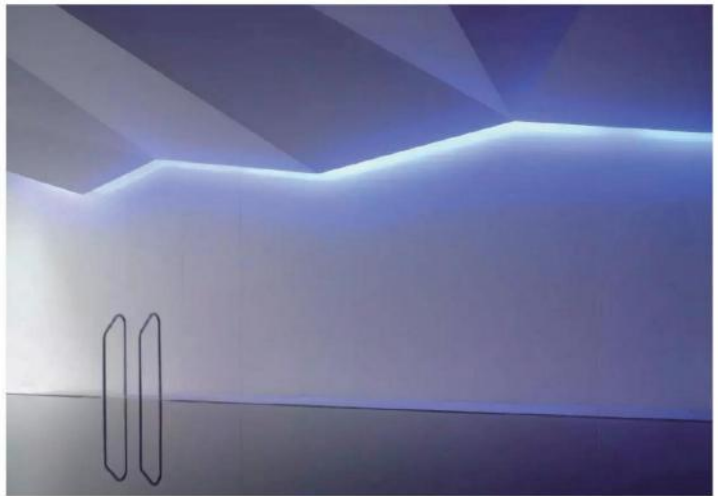
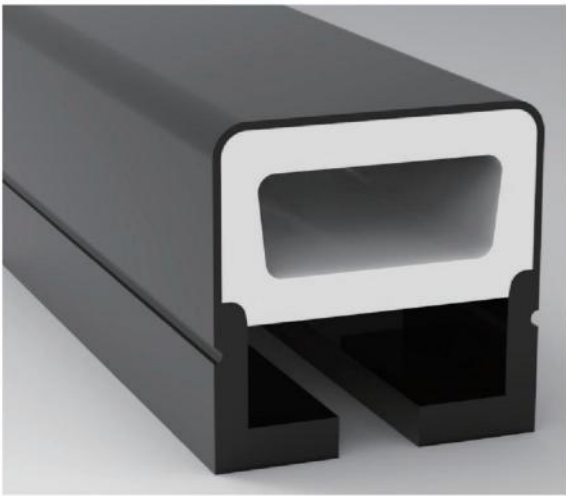
End cap no hole

Aluminum Clip

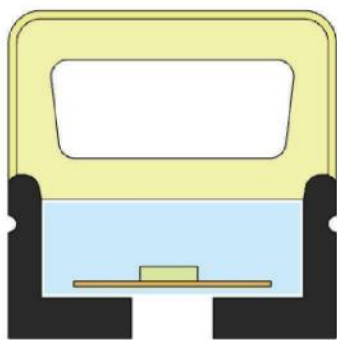
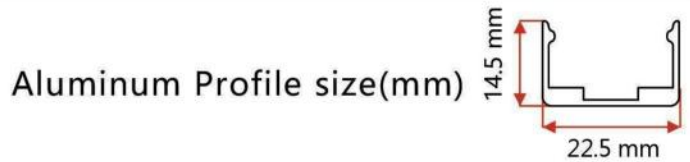
Aluminum Profile

Flexible Profile

Top View Black 4 S2020B



PCB Width(mm)	12
Weight(g/m)	230
Section size(mm)	20*20
Beam angle	270°



Lighting Direction: 3 Sides Lighting
Cutting mark: Yes



Aluminum Profile

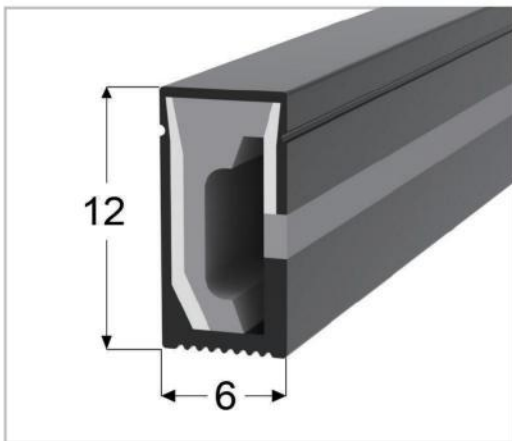


Aluminum Clip



Flexible Profile

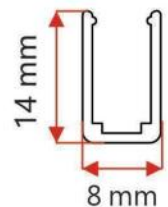
Side View Black 4 S0612



PCB Width(mm)	8
Weight(g/m)	72
Section size(mm)	6*12
Beam angle	120°



Aluminum Profile size(mm)



Lighting Direction: Side Lighting
Cutting mark: Yes



End cap with hole

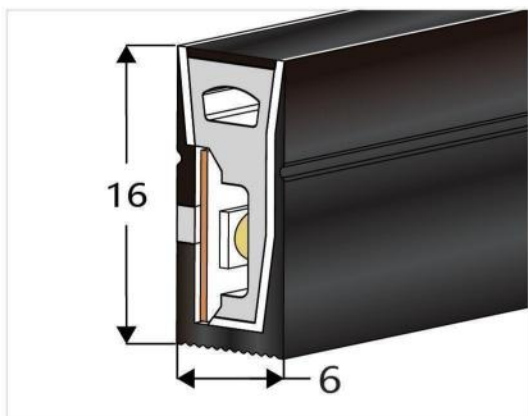
End cap no hole

Aluminum Clip

Aluminum Profile

Flexible Profile

Side View Black 4 S0616



PCB Width (mm)	8
Weight (g/m)	89
Section size (mm)	6*16
Beam angle	120°



Lighting Direction: Side Lighting
Cutting mark: Yes



End cap with hole

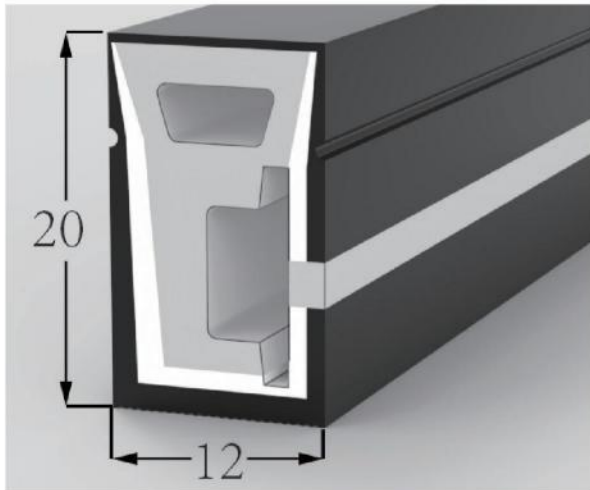
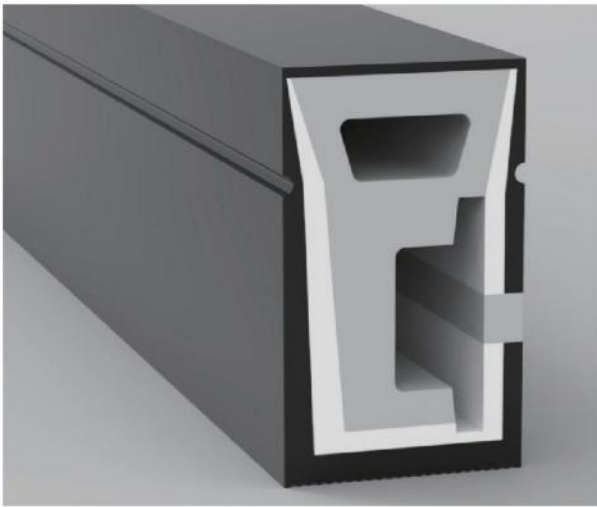
End cap no hole

Aluminum Clip

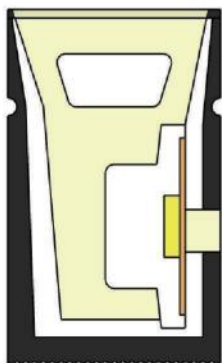
Aluminum Profile

Flexible Profile

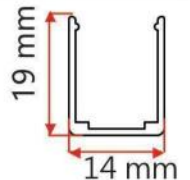
Side View Black 4 S1220



PCB Width (mm)	10
Weight (g/m)	225
Section size (mm)	12*20
Beam angle	120°



Aluminum Profile size(mm)



Lighting Direction: Side Lighting

Cutting mark: Yes



End cap with hole



End cap no hole



Aluminum Clip

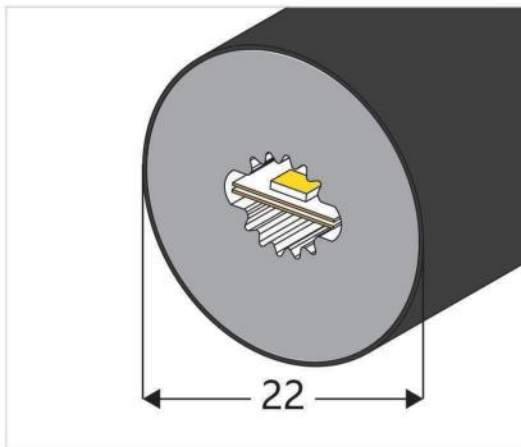
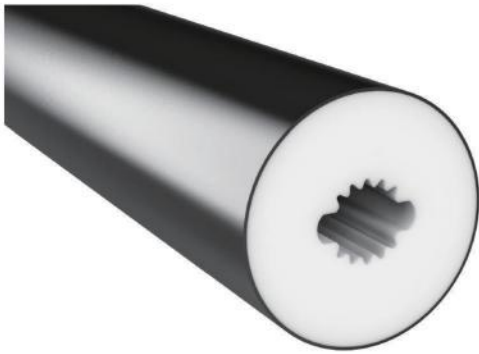


Aluminum Profile

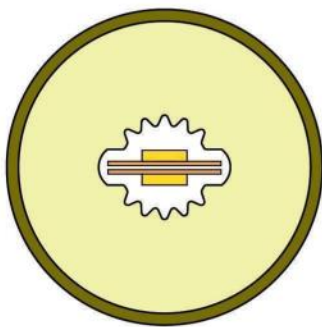


Flexible Profile

360° View Black 4 SD22



PCB Width (mm)	double-side 8
Weight (g/m)	397
Section size (mm)	φ 22
Beam angle	360°



Lighting Direction: 360°



End cap with hole

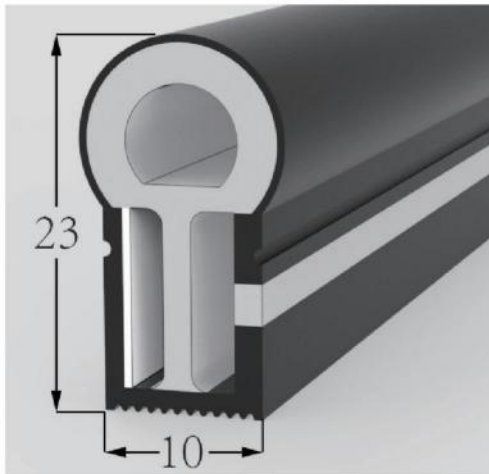
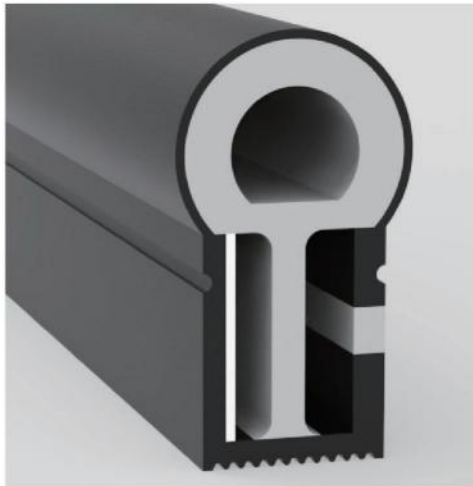


End cap no hole

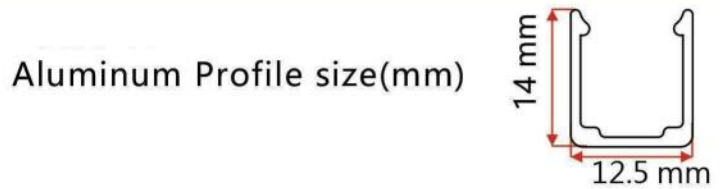
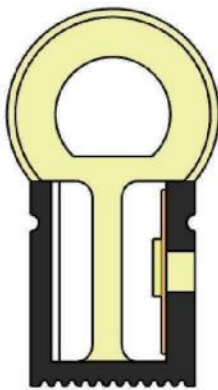


Plastic clip

Side View Black 4 S1023



PCB Width(mm)	10
Weight(g/m)	187
Section size(mm)	10*23
Beam angle	180°



Lighting Direction: Side Lighting
Cutting mark:Yes



End cap with hole

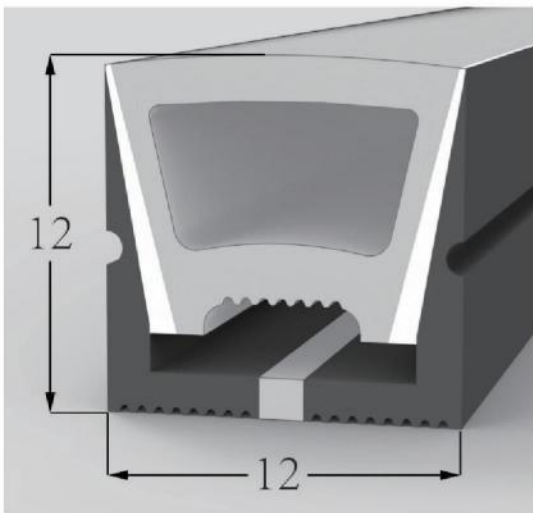
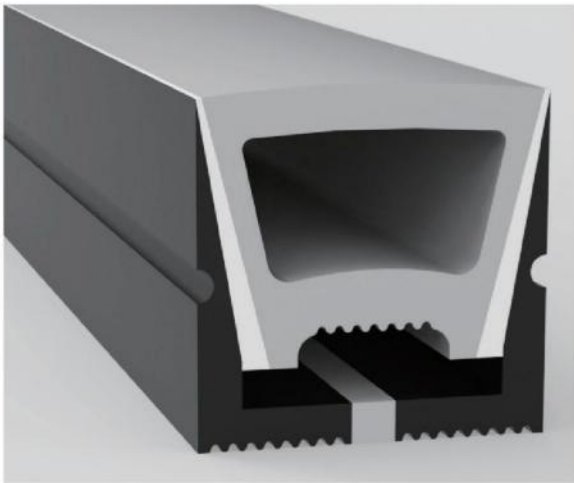
End cap no hole

Aluminum Clip

Aluminum Profile

Flexible Profile

Top View Black 3 S1212



PCB Width(mm)	8
Weight(g/m)	106
Section size(mm)	12*12
Beam angle	120°



Lighting Dairction: Top Lighting
Cutting mark:Yes



End cap with hole

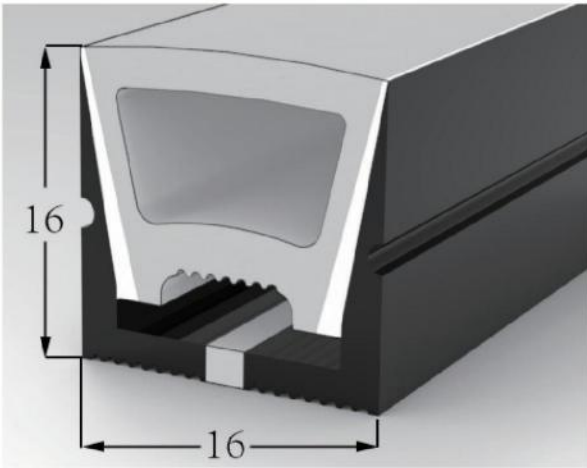
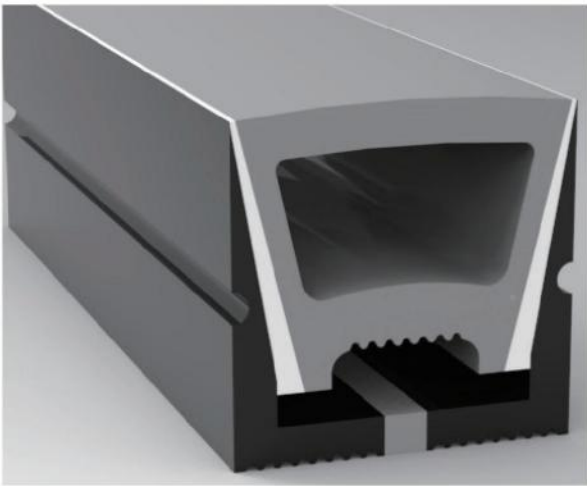
End cap no hole

Aluminum Clip

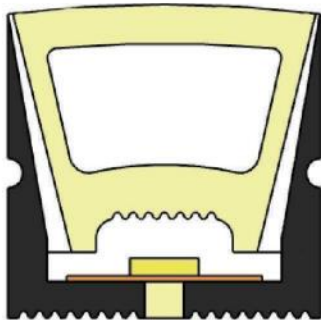
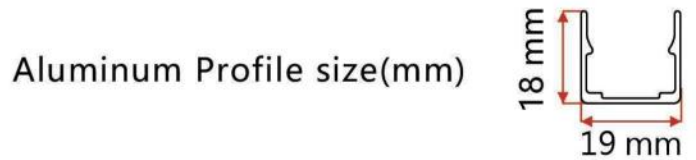
Aluminum Profile

Flexible Profile

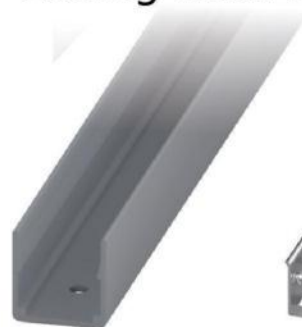
Top View Black 3 S1616



PCB Width(mm)	10
Weight(g/m)	187
Section size(mm)	16*16
Beam angle	120°



Lighting Direction: Top Lighting
Cutting mark: Yes



End cap with hole

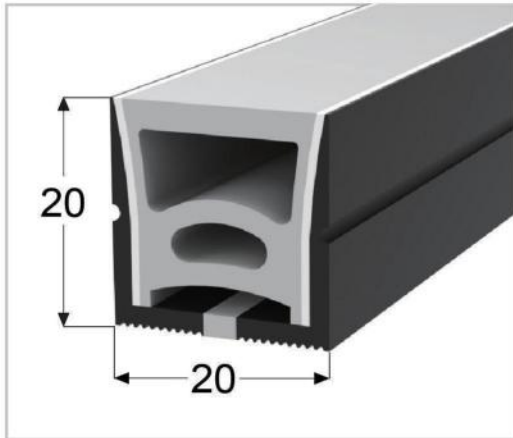
End cap no hole

Aluminum Clip

Aluminum Profile

Flexible Profile

Top View Black 3 S2020



PCB Width(mm)	12
Weight(g/m)	302
Section size(mm)	20*20
Beam angle	120°



Lighting Direction: Top Lighting
Cutting mark:Yes



End cap with hole

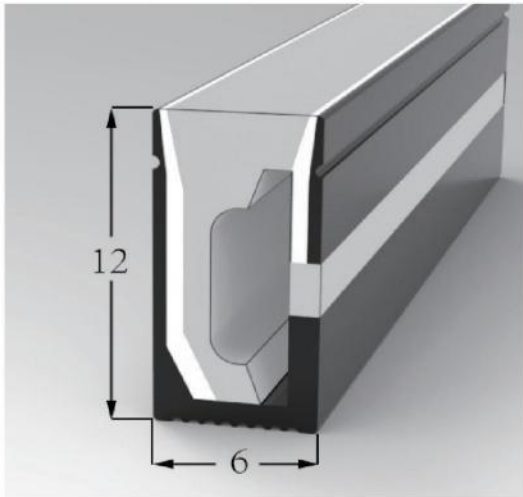
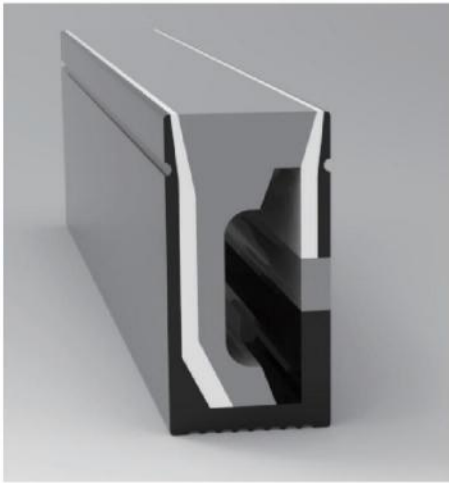
End cap no hole

Aluminum Clip

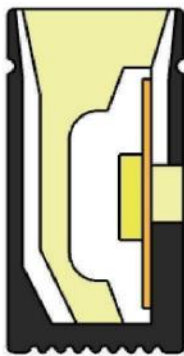
Aluminum Profile

Flexible Profile

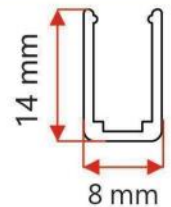
Side View Black 3 S0612



PCB Width(mm)	8
Weight(g/m)	68
Section size(mm)	6*12
Beam angle	120°



Aluminum Profile size(mm)



Lighting Direction: Side Lighting
Cutting mark: Yes



End cap with hole

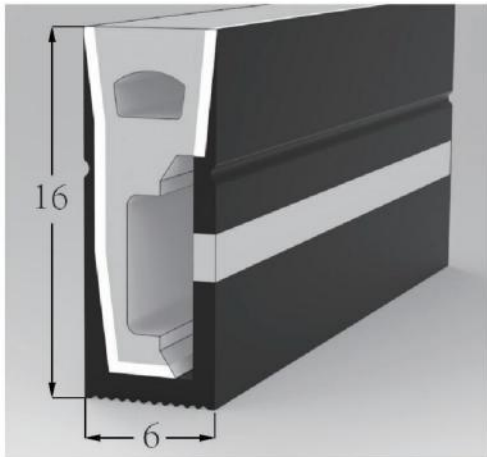
End cap no hole

Aluminum Clip

Aluminum Profile

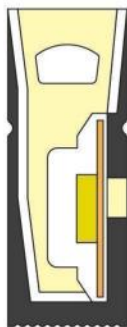
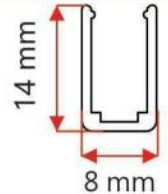
Flexible Profile

Side View Black 3 S0616



PCB Width (mm)	8
Weight (g/m)	87
Section size (mm)	6*16
Beam angle	120°

Aluminum Profile size(mm)



Lighting Direction: Side Lighting
Cutting mark: Yes



End cap with hole

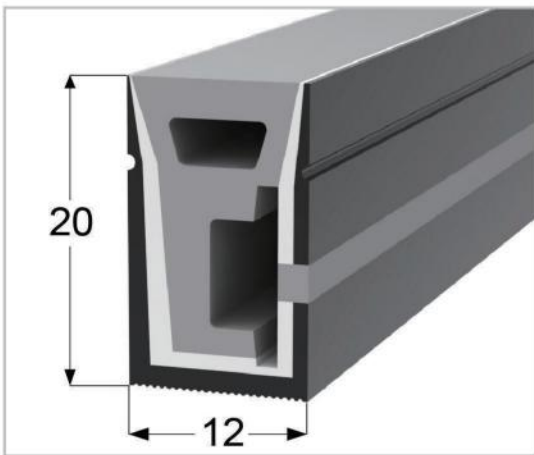
End cap no hole

Aluminum Clip

Aluminum Profile

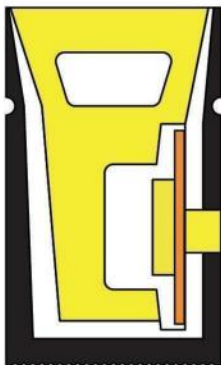
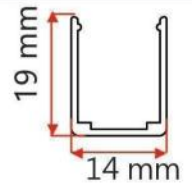
Flexible Profile

Side View Black 3 S1220



PCB Width (mm)	10
Weight (g/m)	226
Section size (mm)	12*20
Beam angle	120°

Aluminum Profile size(mm)



Lighting Direction: Side Lighting
Cutting mark: Yes



End cap with hole

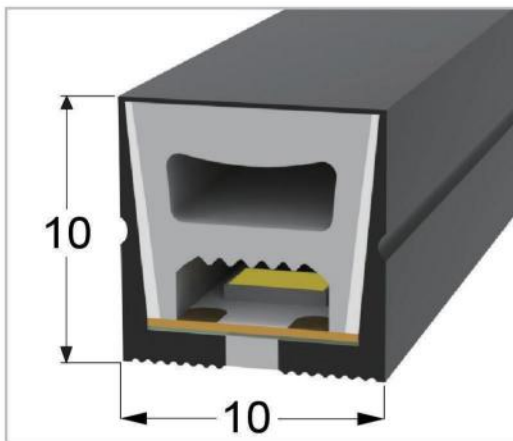
End cap no hole

Aluminum Clip

Aluminum Profile

Flexible Profile

Top View Black 4 S1010B

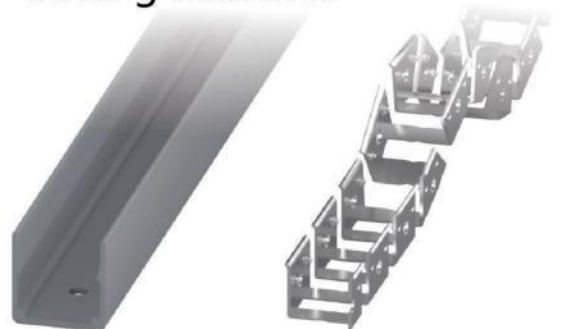


PCB Width(mm)	8
Weight(g/m)	103
Section size(mm)	10*10
Beam angle	120°

Aluminum Profile size(mm) 9.5 mm 12mm



Lighting Direction: Top Lighting
Cutting mark: Yes



End cap with hole

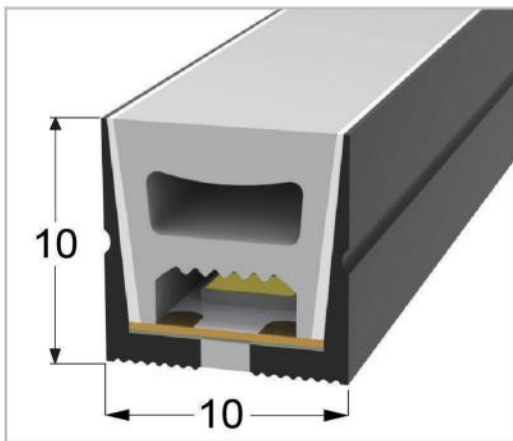
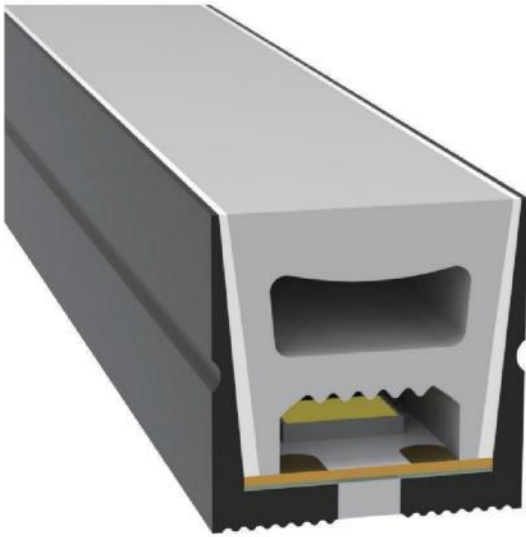
End cap no hole

Aluminum Clip

Aluminum Profile

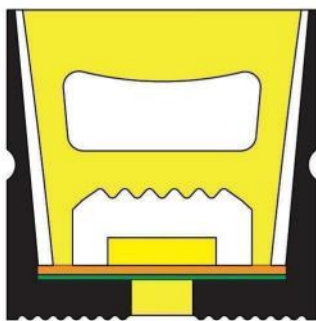
Flexible Profile

Top View Black 3 S1010



PCB Width(mm)	8
Weight(g/m)	99
Section size(mm)	10*10
Beam angle	120°

Aluminum Profile size(mm) 



Lighting Direction: Top Lighting
Cutting mark:Yes



End cap with hole

End cap no hole

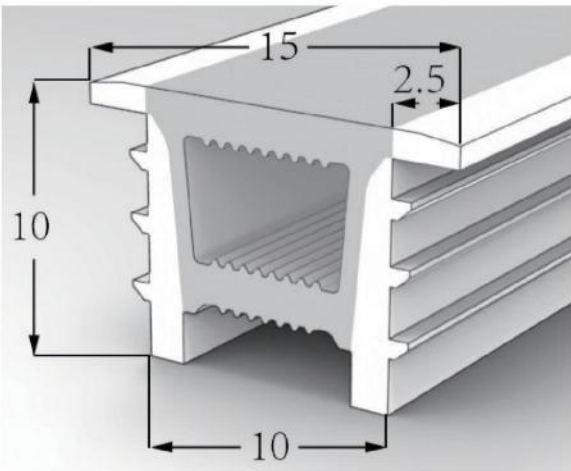
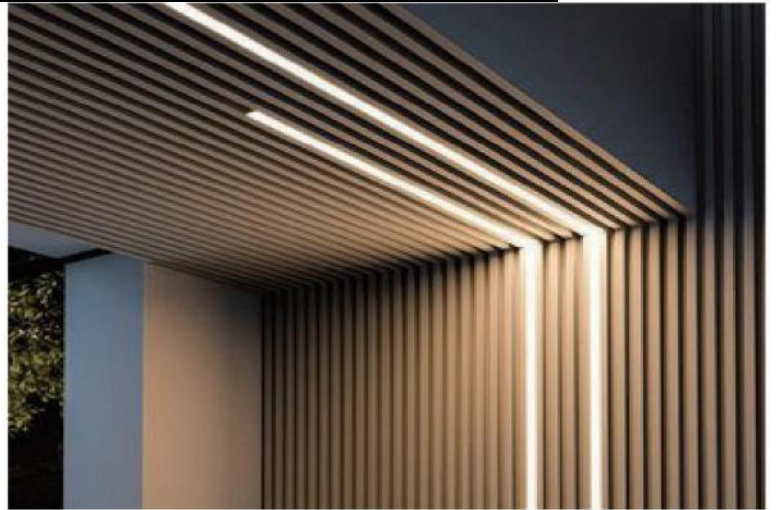
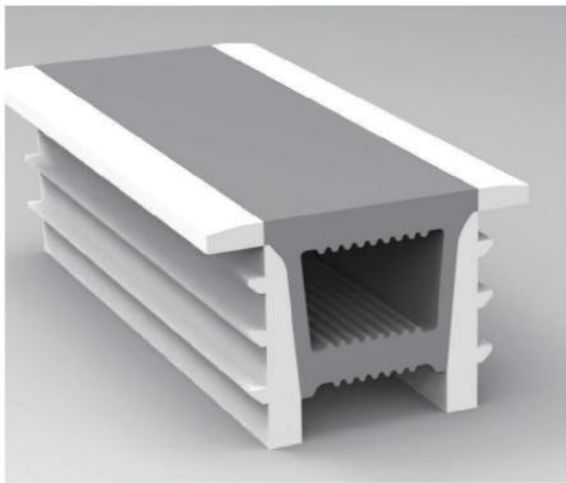
Aluminum Clip

Aluminum Profile

Flexible Profile

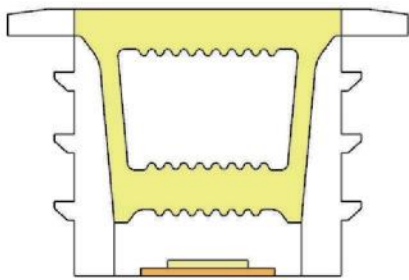
RECESSED SERIES

Top View Silicone Cover S1010



PCB Width (mm)	5
Weight (g/m)	94
Section size (mm)	10*9
Beam angle	120°

Aluminum Profile size(mm)	
---------------------------	--



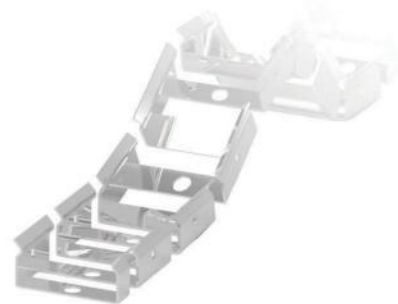
Lighting Direction: Top Lighting
Cutting mark: Yes



Aluminum Clip

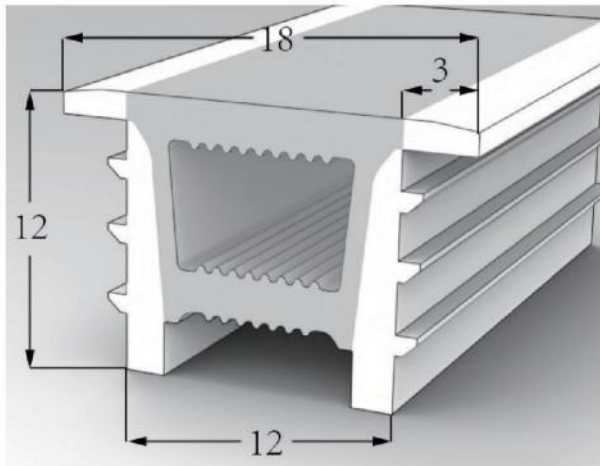
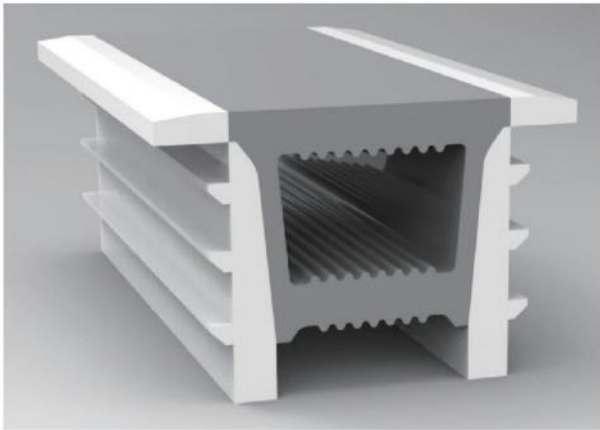


Aluminum Profile

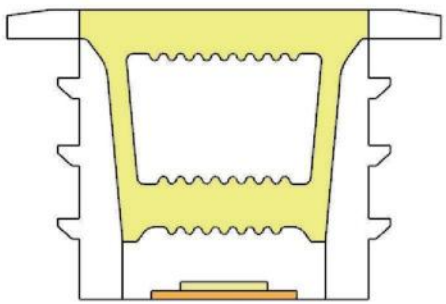


Flexible Profile

Top View Silicone Cover S1212



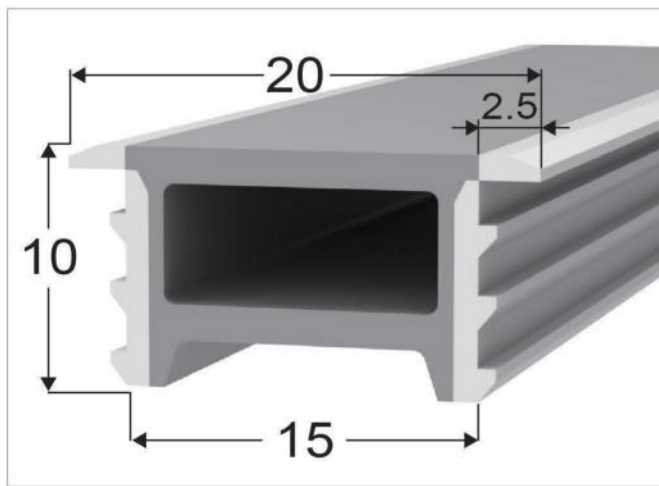
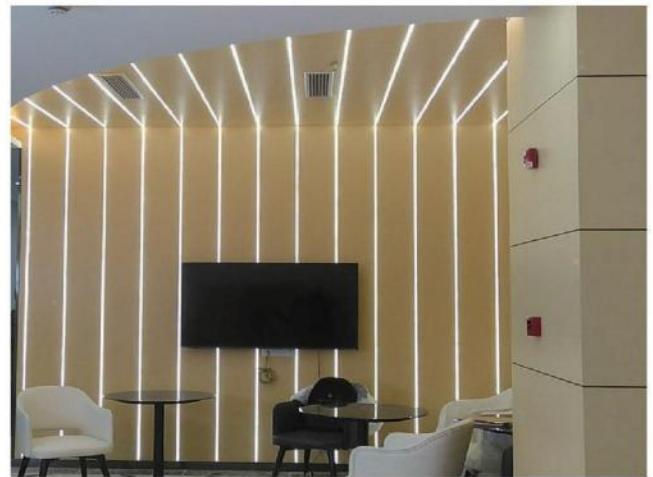
PCB Width(mm)	8
Weight(g/m)	124
Section size(mm)	12*11
Beam angle	120°



Lighting Direction: Top Lighting
 Cutting mark: Yes

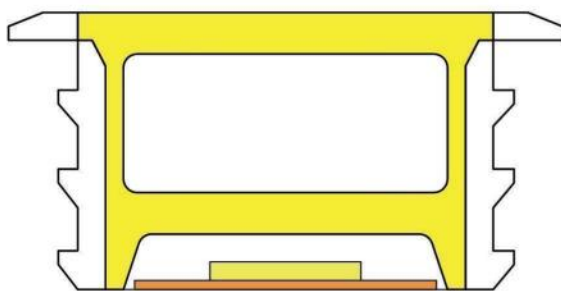


Top View Silicone Cover S1510



PCB Width (mm)	8/10
Weight (g/m)	107
Section size (mm)	15*9
Beam angle	120°

Aluminum Profile size(mm) 



Lighting Direction: Top Lighting
Cutting mark: Yes



Aluminum Clip

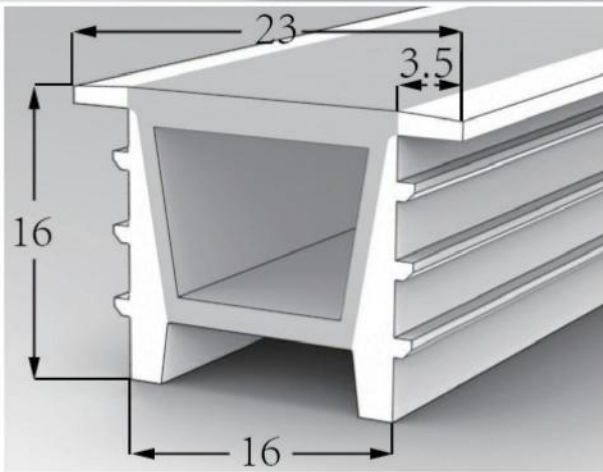
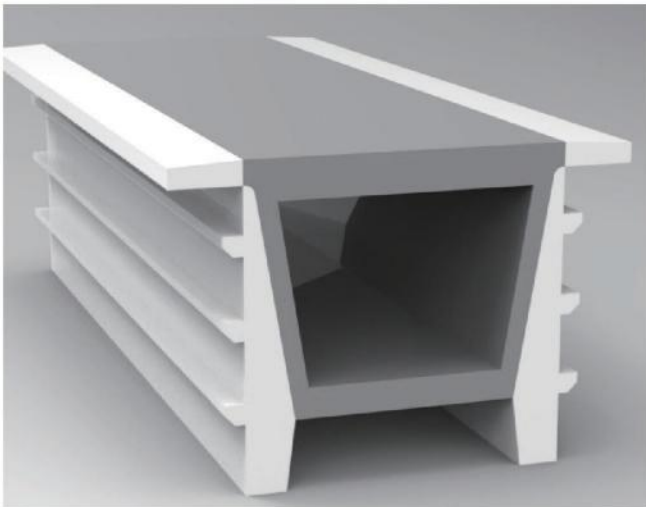


Aluminum Profile



Flexible Profile

Top View Silicone Cover S1616



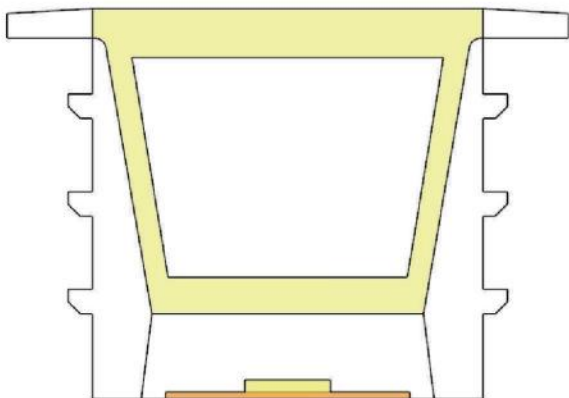
PCB Width (mm) 8/10

Weight (g/m) 172

Section size (mm) 16*15

Beam angle 120°

Aluminum Profile size(mm) 



Lighting Direction: Top Lighting
Cutting mark: Yes



Aluminum Clip

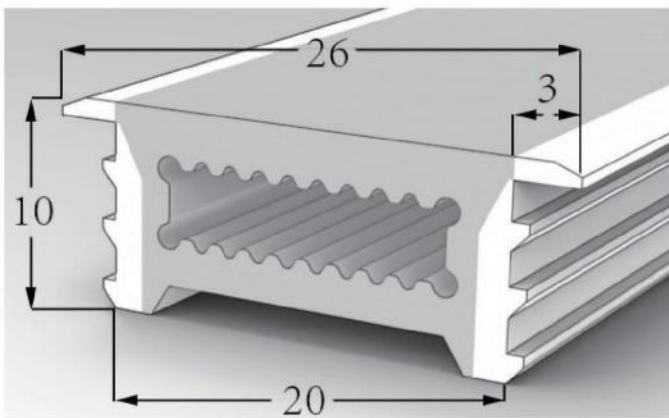
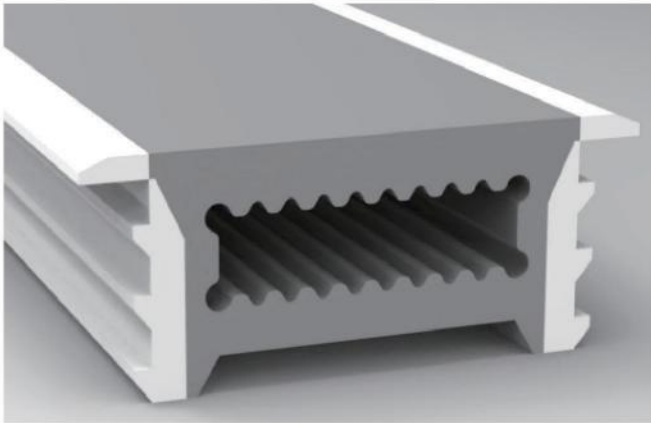


Aluminum Profile



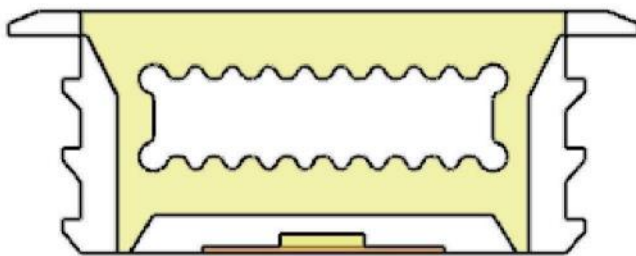
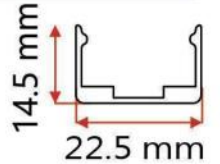
Flexible Profile

Top View Silicone Cover S2010



PCB Width (mm)	10
Weight (g/m)	180
Section size (mm)	20*9
Beam angle	120°

Aluminum Profile size(mm)



Lighting Direction: Top Lighting
Cutting mark: Yes



Aluminum Clip

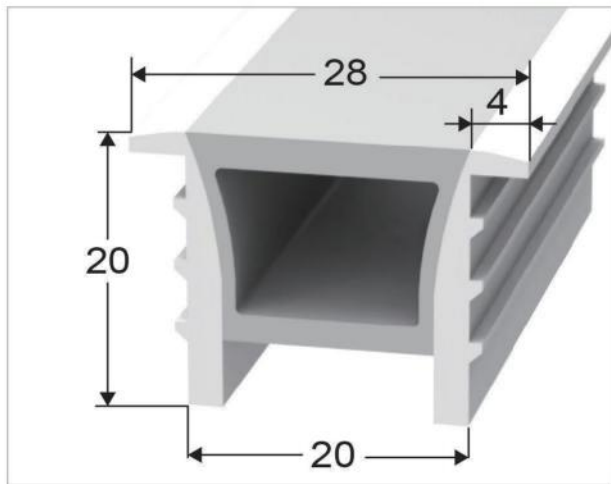


Aluminum Profile

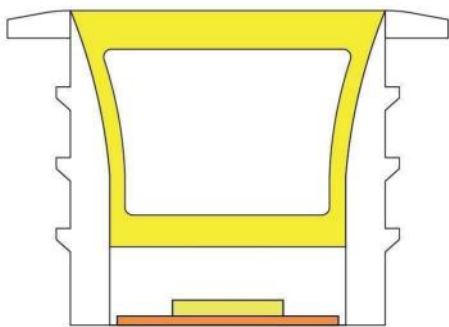
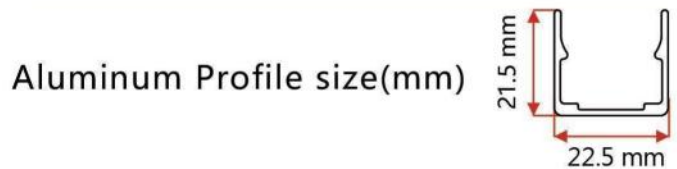


Flexible Profile

Top View Silicone Cover S2020A



PCB Width (mm)	10/12
Weight (g/m)	253
Section size (mm)	20*19
Beam angle	120°



Lighting Direction: Top Lighting
Cutting mark: Yes



Aluminum Clip

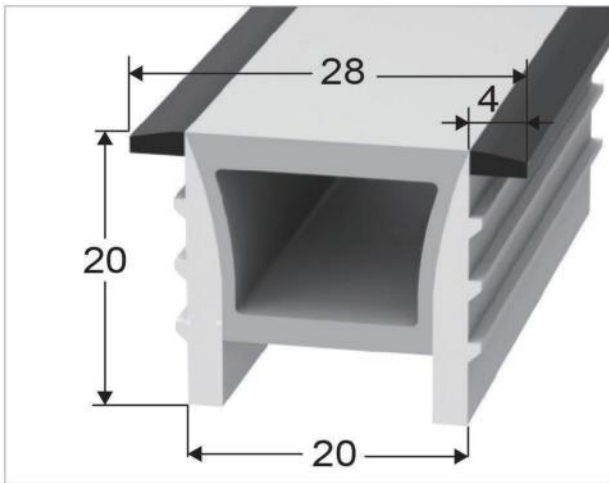


Aluminum Profile



Flexible Profile

Top View Silicone Cover S2020B

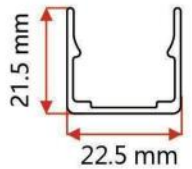


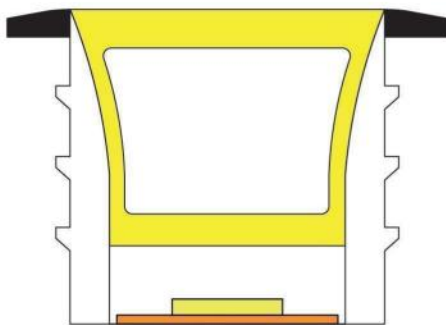
PCB Width (mm) 10/12

Weight (g/m) 243

Section size (mm) 20*19

Beam angle 120°

Aluminum Profile size(mm) 



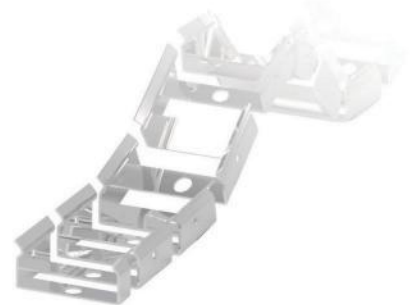
Lighting Direction: Top Lighting
Cutting mark: Yes



Aluminum Clip

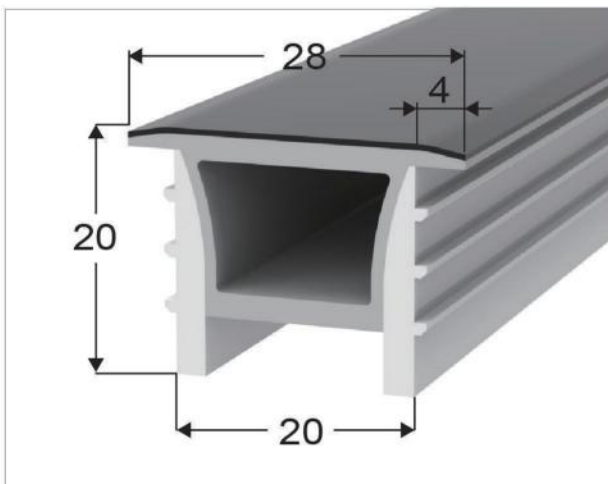


Aluminum Profile



Flexible Profile

Top View Silicone Cover S2020C

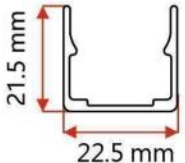


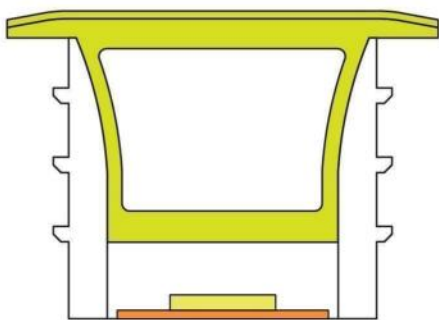
PCB Width (mm) 10/12

Weight (g/m) 250

Section size (mm) 20*19

Beam angle 120°

Aluminum Profile size(mm) 



Lighting Direction: Top Lighting
Cutting mark: Yes



Aluminum Clip

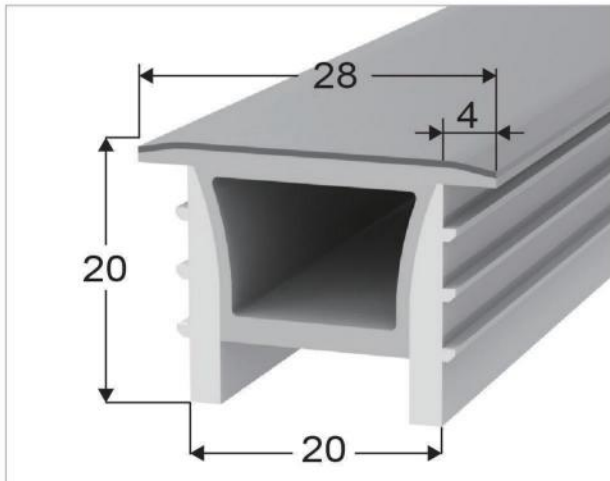


Aluminum Profile

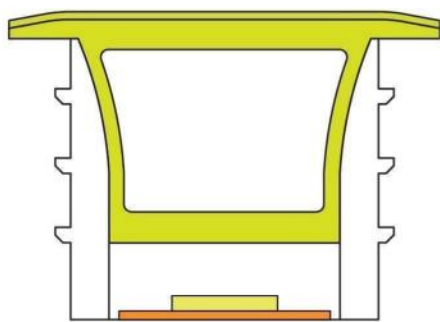
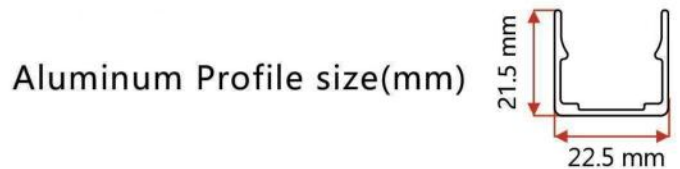


Flexible Profile

Top View Silicone Cover S2020D



PCB Width (mm)	10/12
Weight (g/m)	250
Section size (mm)	20*19
Beam angle	120°



Lighting Direction: Top Lighting
Cutting mark: Yes

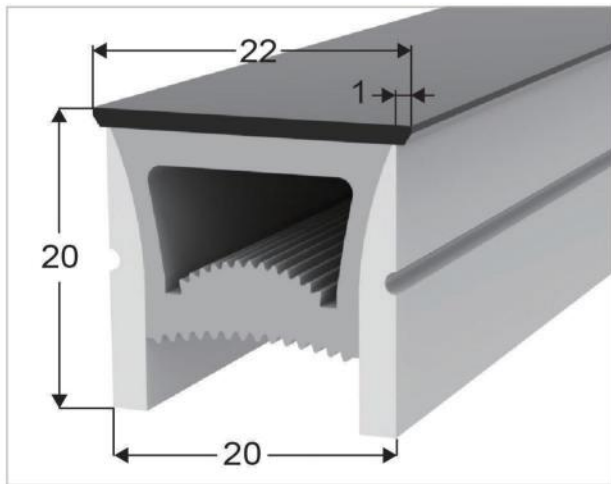


Aluminum Clip

Aluminum Profile

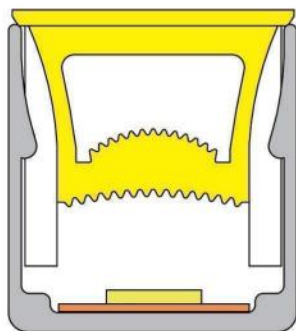
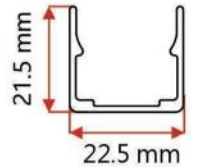
Flexible Profile

Top View Silicone Cover S2020E



PCB Width (mm)	12
Weight (g/m)	308
Section size (mm)	20*20
Beam angle	120°

Aluminum Profile size(mm)



Lighting Direction: Top Lighting
Cutting mark: Yes

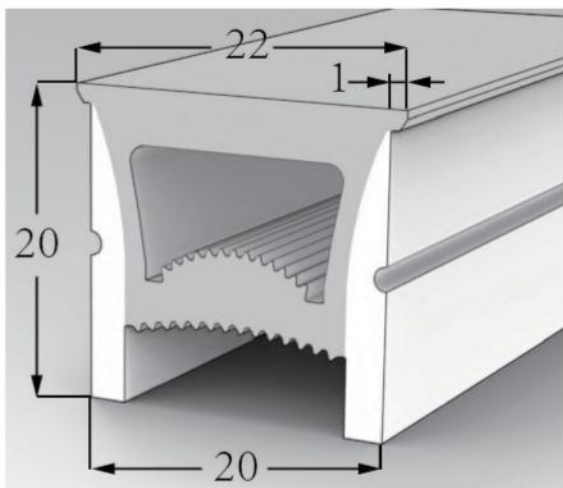
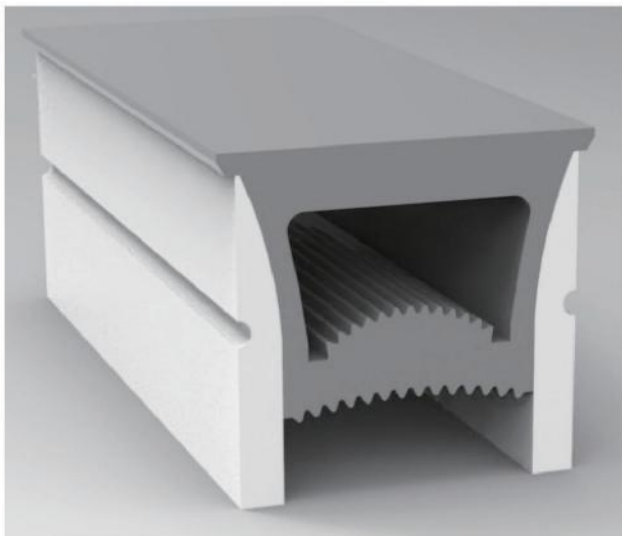


Aluminum Clip

Aluminum Profile

Flexible Profile

Top View Silicone Cover S2020F

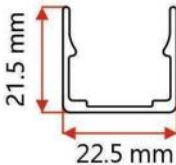


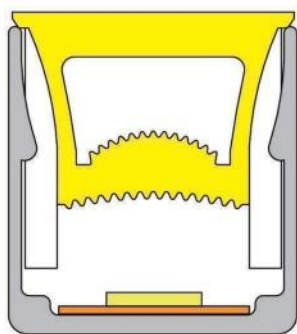
PCB Width (mm) 12

Weight (g/m) 308

Section size (mm) 20*20

Beam angle 120°

Aluminum Profile size(mm) 



Lighting Direction: Top Lighting
Cutting mark: Yes

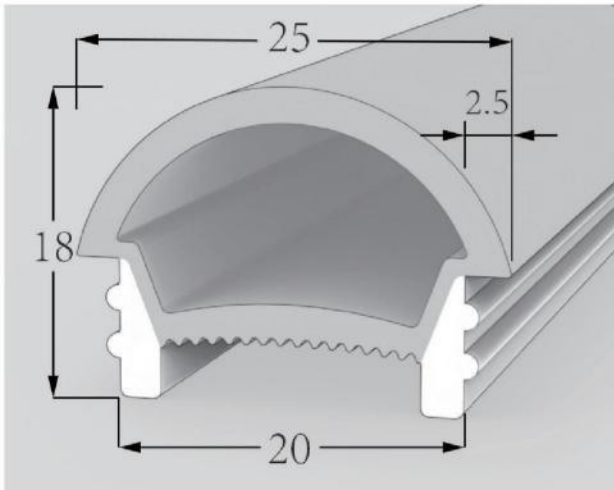
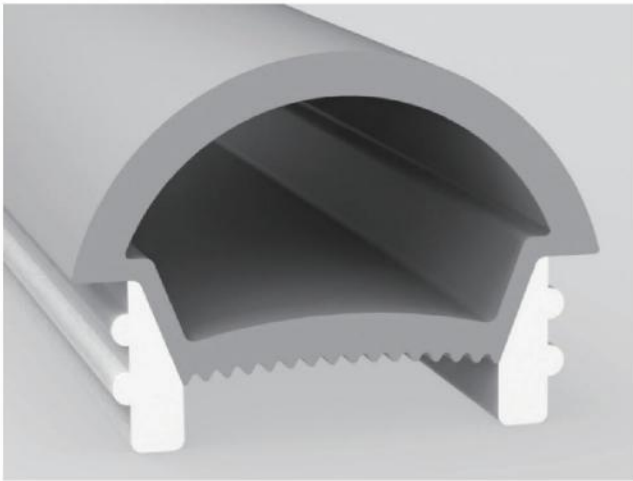


Aluminum Clip

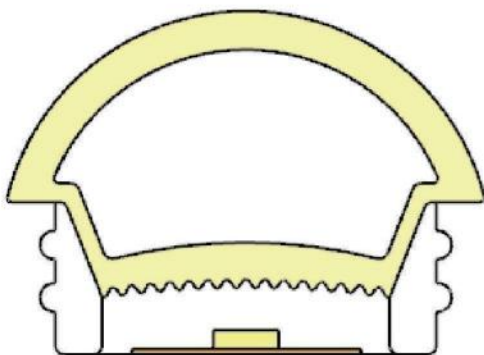
Aluminum Profile

Flexible Profile

Top View Silicone Cover S2018

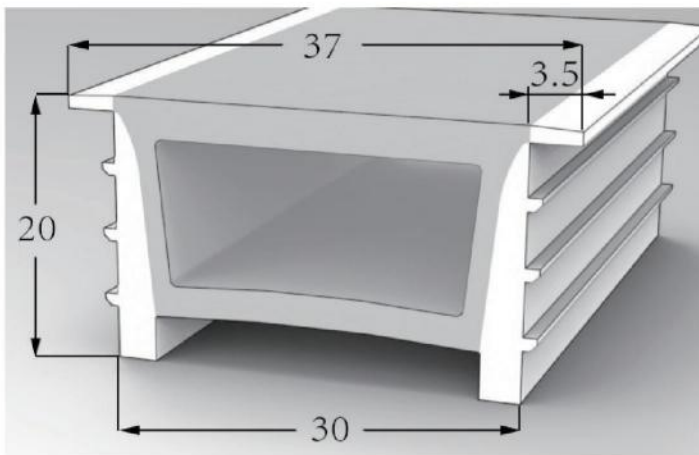
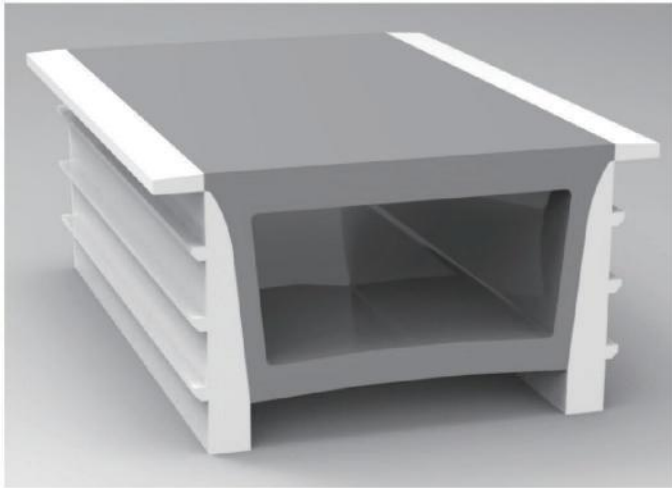


PCB Width (mm)	12
Weight (g/m)	183
Section size (mm)	20*18
Beam angle	120°

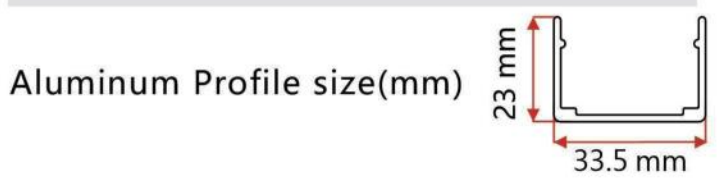


Lighting Direction: Top Lighting
Cutting mark: Yes

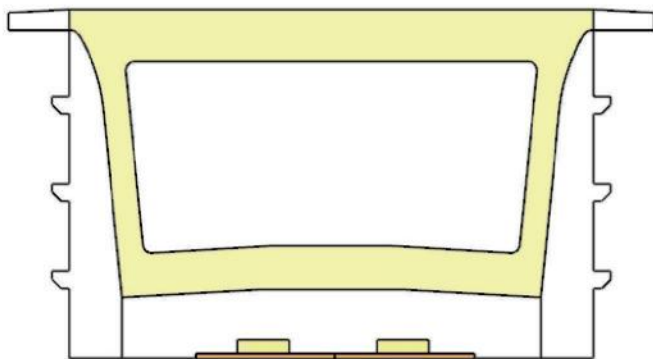
Top View Silicone Cover S3020A



PCB Width (mm)	15
Weight (g/m)	358
Section size (mm)	30*19
Beam angle	120°



Aluminum Profile size(mm)



Colour: White Side/Black Side

Lighting Direction: Top Lighting

Cutting mark: Yes



Aluminum Clip

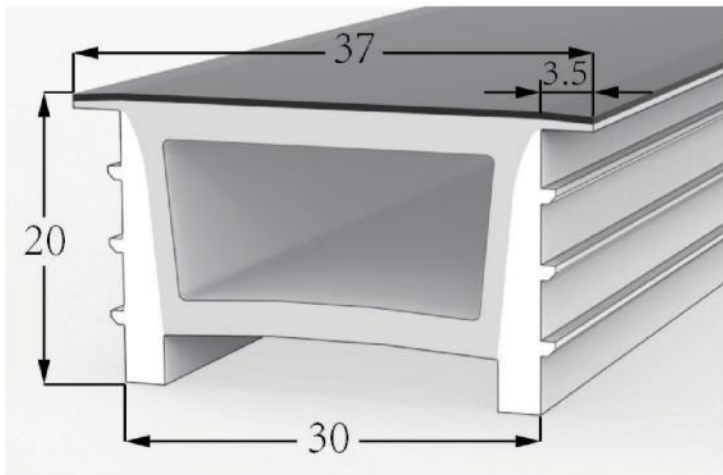


Aluminum Profile



Flexible Profile

Top View Silicone Cover S3020B



PCB Width (mm)

15

Weight (g/m)

403

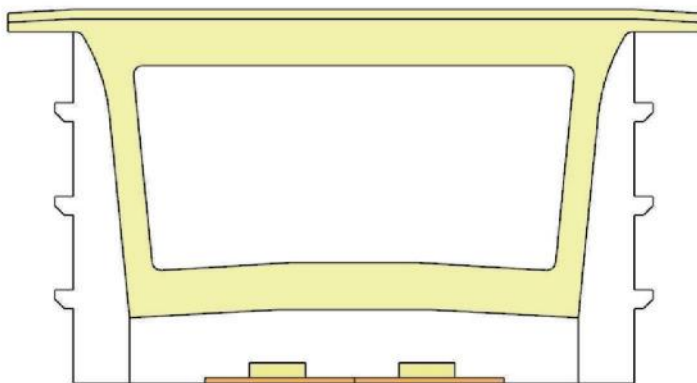
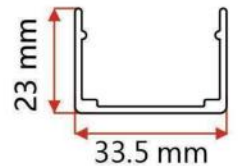
Section size (mm)

30*19

Beam angle

120°

Aluminum Profile size(mm)



Lighting Area Color : Black /Grey

Lighting Direction: Top Lighting

Cutting mark: Yes



Aluminum Clip

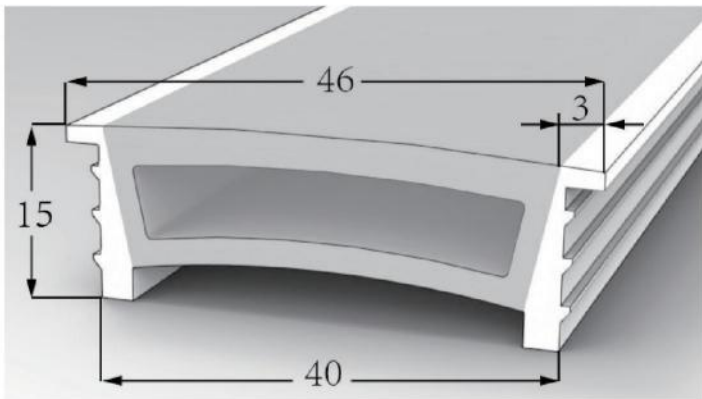
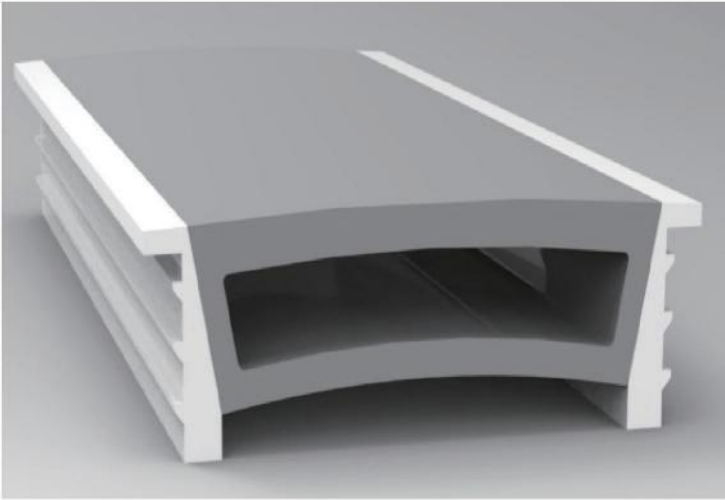


Aluminum Profile



Flexible Profile

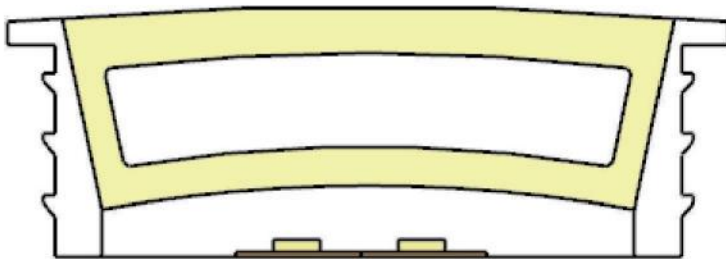
Top View Silicone Cover S4015



PCB Width (mm)	15/20
Weight (g/m)	407
Section size (mm)	40*14
Beam angle	120°



Aluminum Profile size(mm)



Lighting Direction: Top Lighting
Cutting mark: Yes



Aluminum Clip

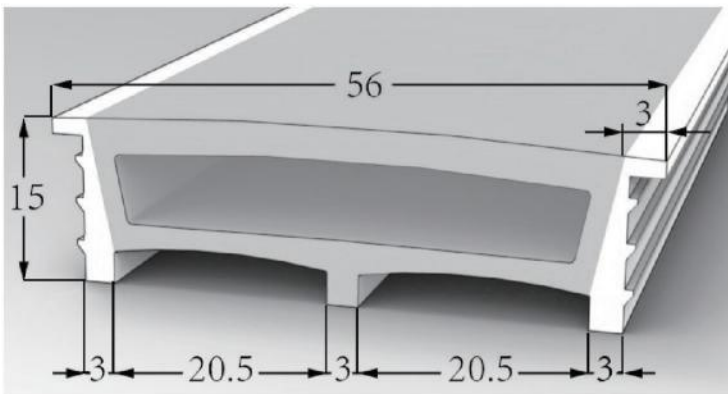
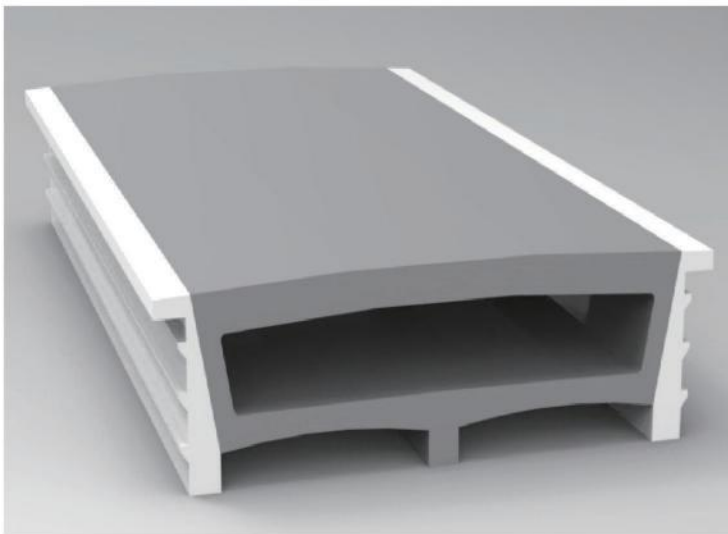


Aluminum Profile

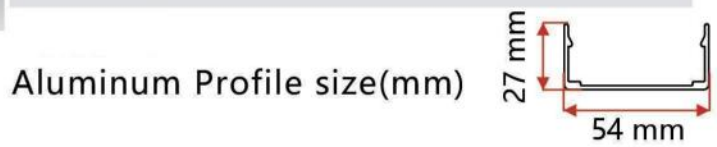


Flexible Profile

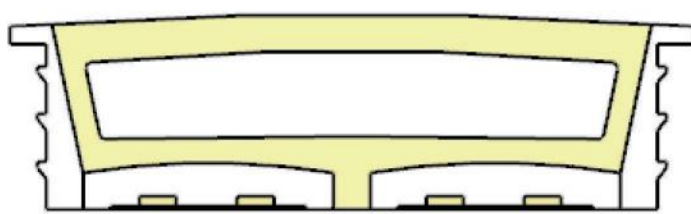
Top View Silicone Cover S5015



PCB Width (mm)	15/20
Weight (g/m)	521
Section size (mm)	50*14
Beam angle	120°



Aluminum Profile size(mm)



Lighting Direction: Top Lighting
Cutting mark: Yes



Aluminum Clip

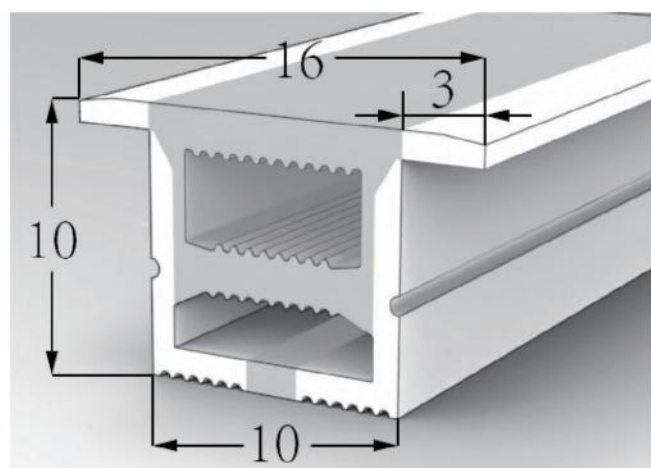
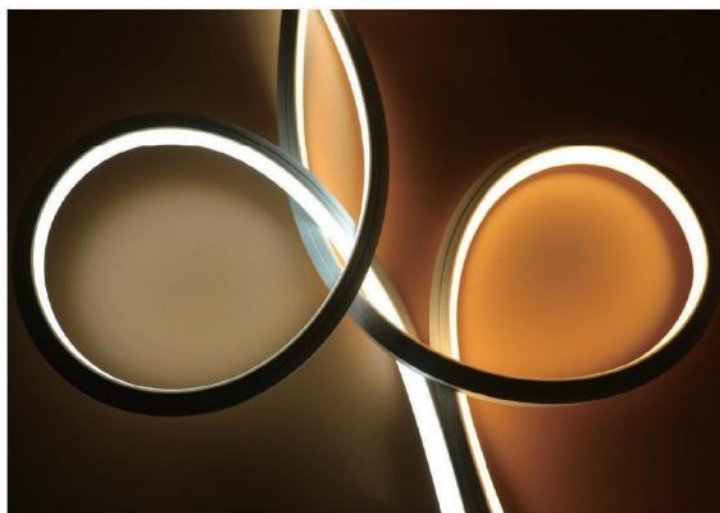
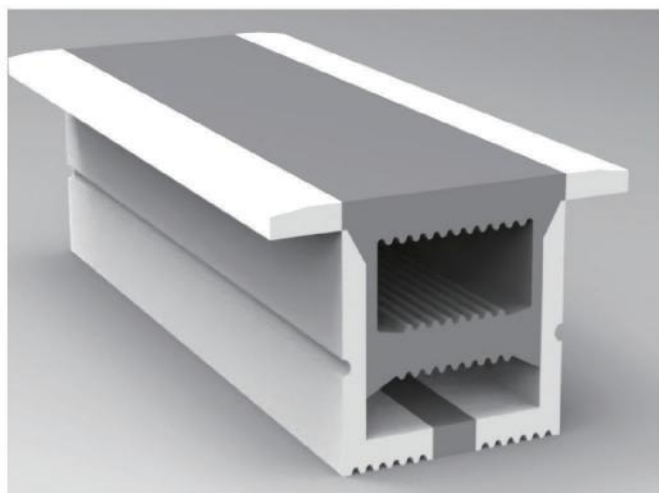


Aluminum Profile



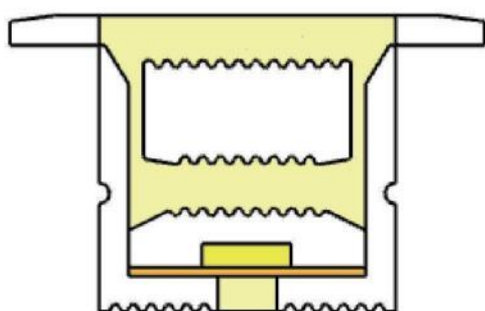
Flexible Profile

Top View Recessed Series S1010



PCB Width (mm)	5
Weight (g/m)	96
Section size (mm)	10*9
Beam angle	120°

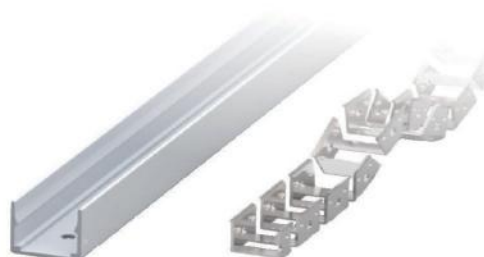
Aluminum Profile size(mm) 



Lighting Direction: Top Lighting
Cutting mark: Yes



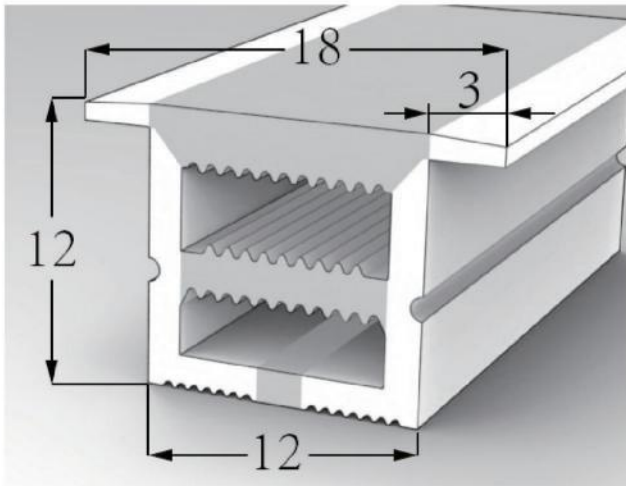
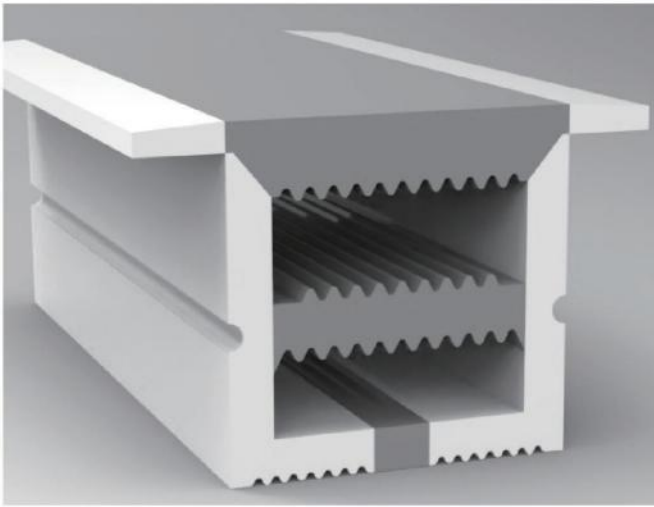
Aluminum Clip



Aluminum Profile

Flexible Profile

Top View Recessed Series S1212



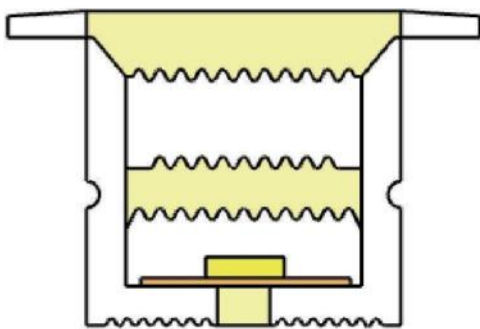
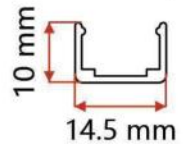
PCB Width(mm) 8

Weight(g/m) 132

Section size(mm) 12*11

Beam angle 120°

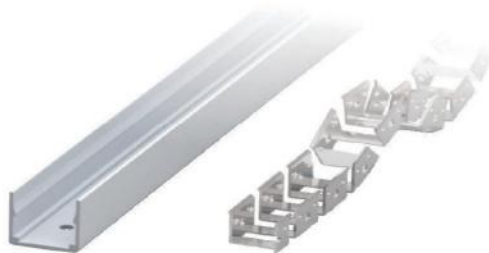
Aluminum Profile size(mm)



Lighting Dairction: Top Lighting
Cutting mark:Yes



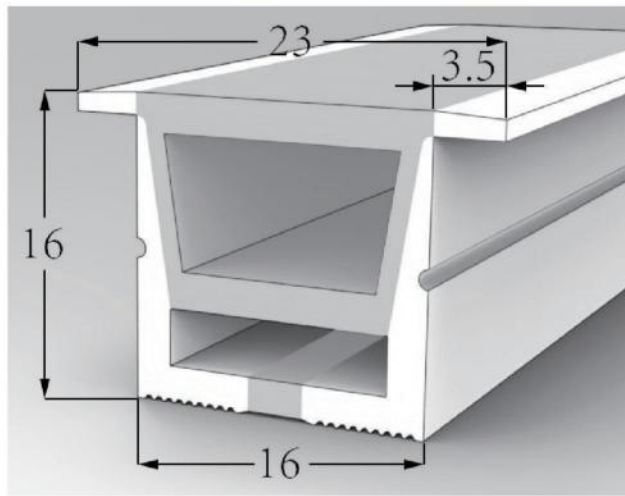
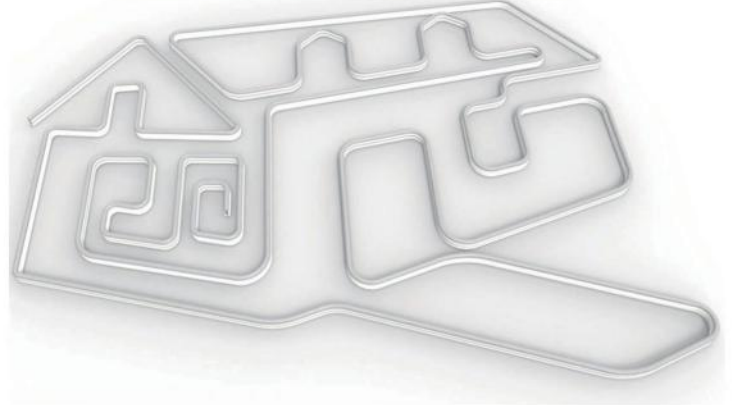
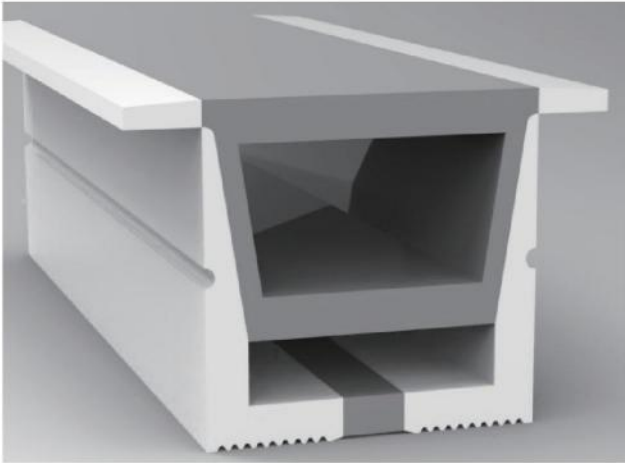
Aluminum Clip



Aluminum Profile

Flexible Profile

Top View Recessed Series S1616



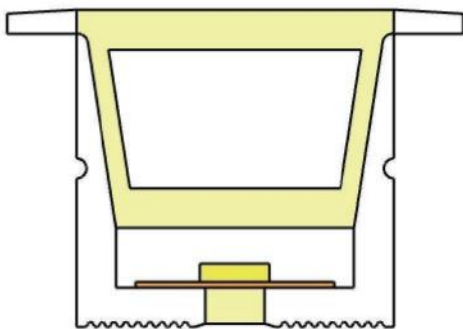
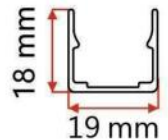
PCB Width(mm) 10

Weight(g/m) 186

Section size(mm) 16*15

Beam angle 120°

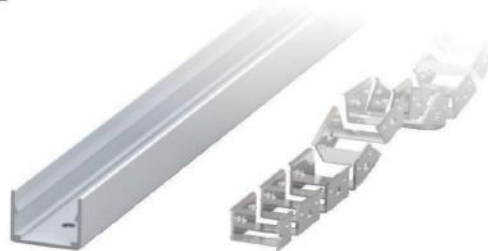
Aluminum Profile size(mm)



Lighting Direction: Top Lighting
Cutting mark:Yes



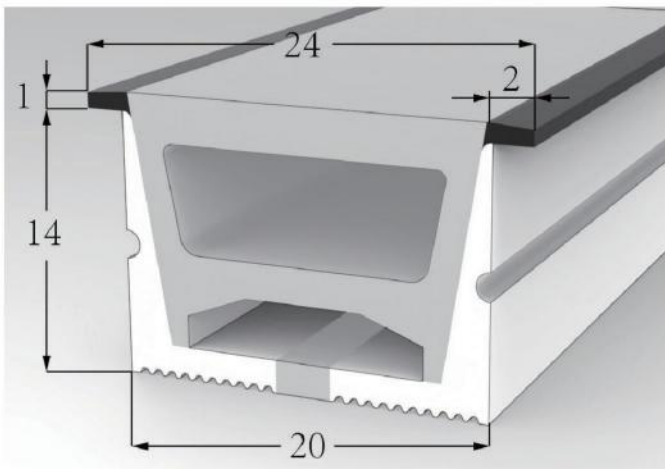
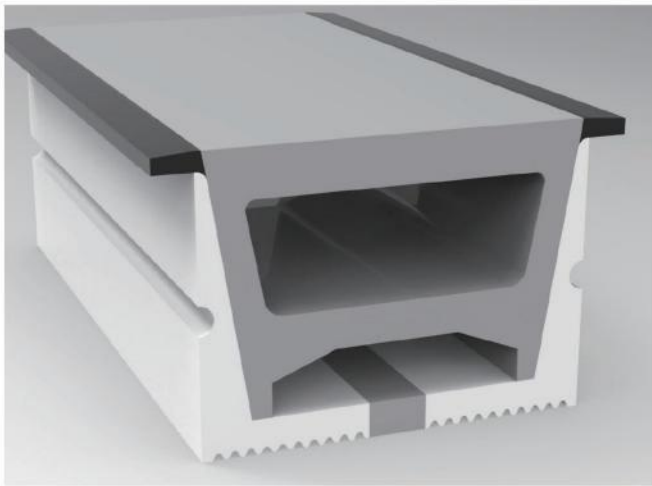
Aluminum Clip



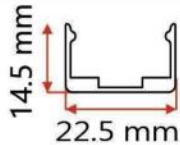
Aluminum Profile

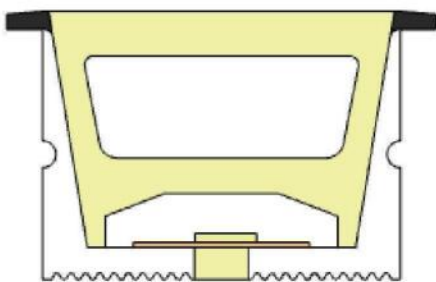
Flexible Profile

Top View Recessed Series S2014



PCB Width(mm)	10
Weight(g/m)	238
Section size(mm)	20*14
Beam angle	120°

Aluminum Profile size(mm) 



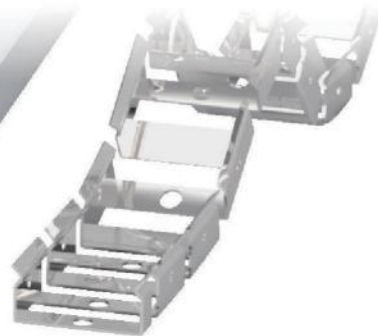
Lighting Dairction: Top Lighting
Cutting mark:Yes



Aluminum Clip

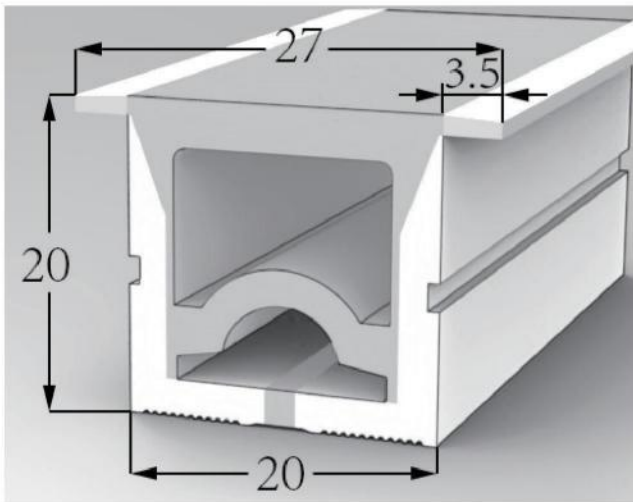
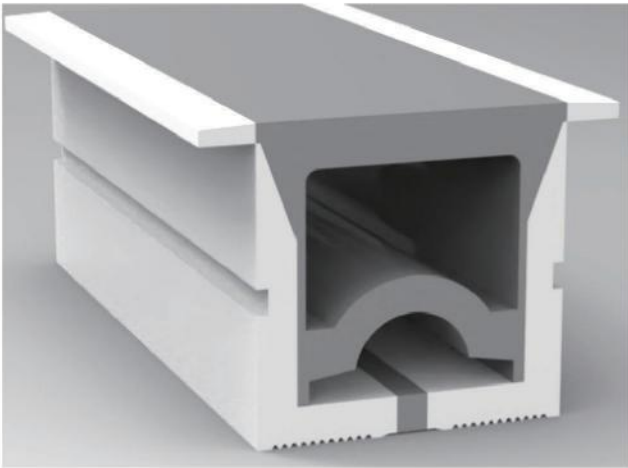


Aluminum Profile



Flexible Profile

Top View Recessed Series S2020



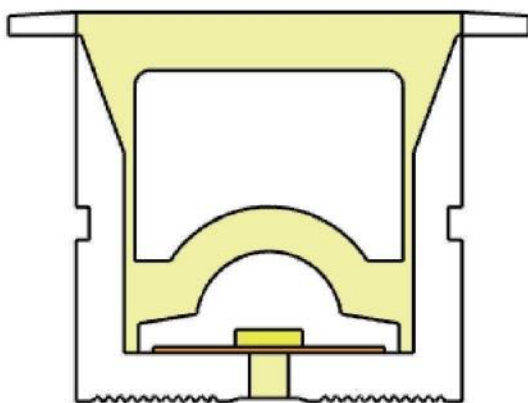
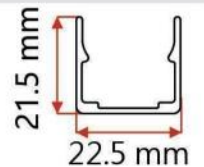
PCB Width(mm) 10/12

Weight(g/m) 296

Section size(mm) 20*19

Beam angle 120°

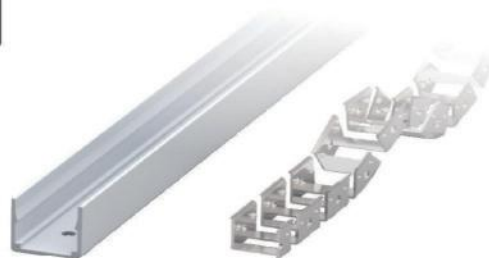
Aluminum Profile size(mm)



Lighting Direction: Top Lighting
Cutting mark: Yes



Aluminum Clip

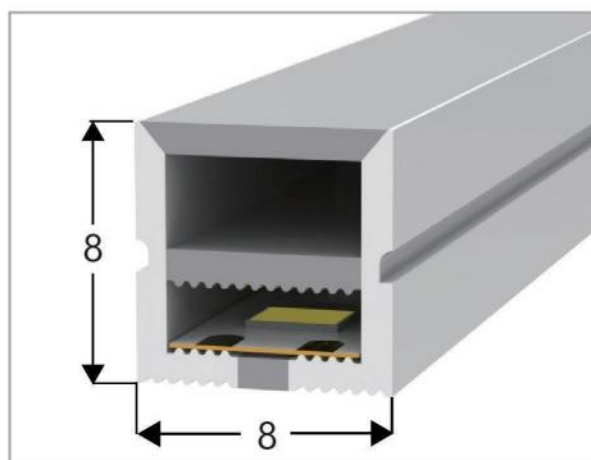
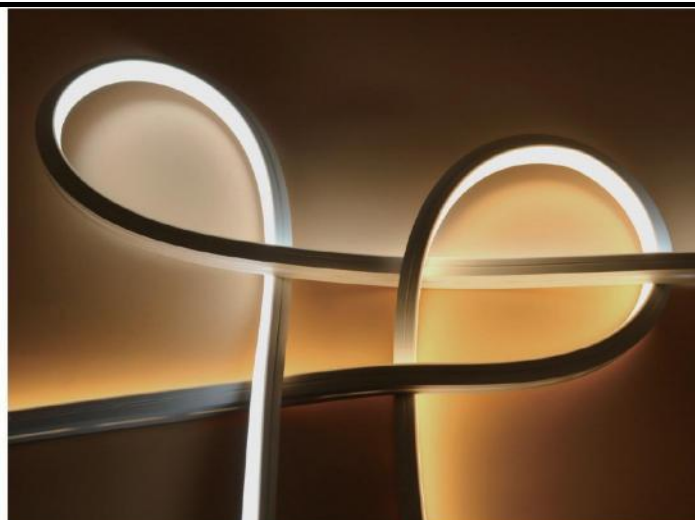


Aluminum Profile

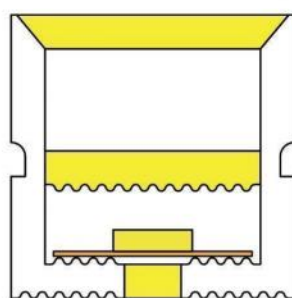
Flexible Profile

ECONOMIC SERIES

Top View Economic Version S0808



PCB Width (mm)	6
Weight (g/m)	48
Section size (mm)	8*8
Beam angle	120°



Lighting Direction: Top Lighting

Cutting mark: Yes

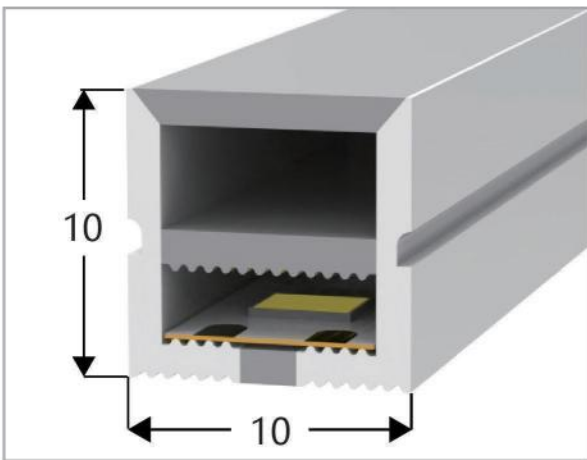
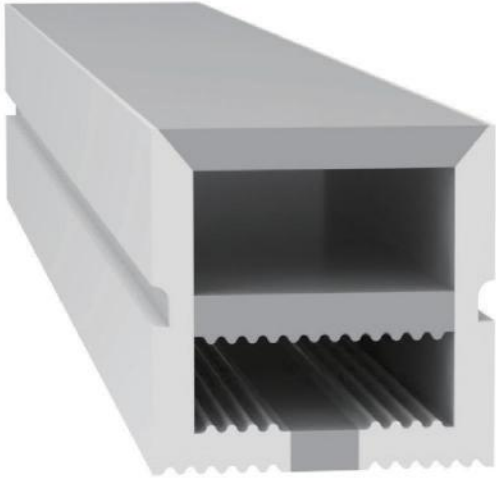


End cap with hole

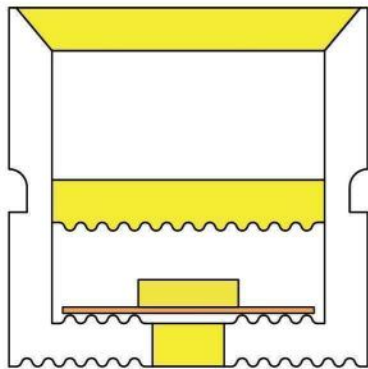


End cap no hole

Top View Economic Version S1010



PCB Width (mm)	6
Weight (g/m)	76
Section size (mm)	10*10
Beam angle	120°



Lighting Direction: Top Lighting

Cutting mark: Yes

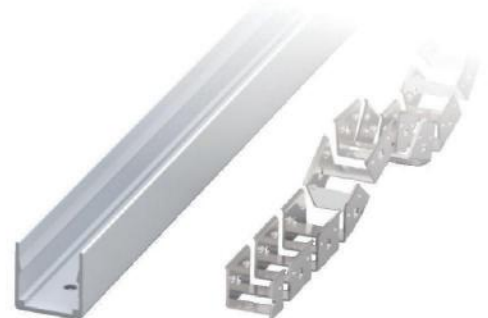


End cap with hole

End cap no hole



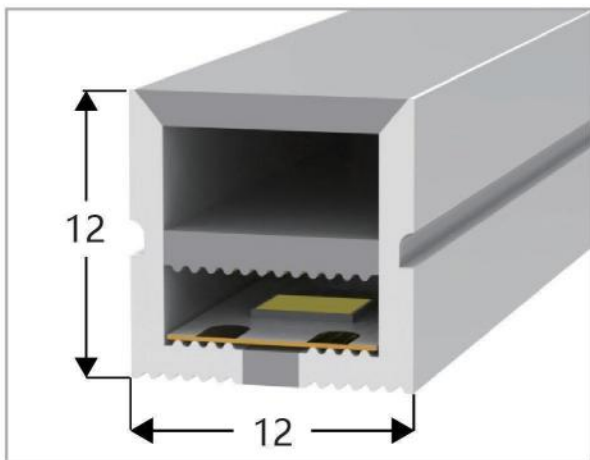
Aluminum Clip



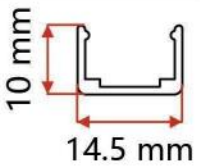
Aluminum Profile

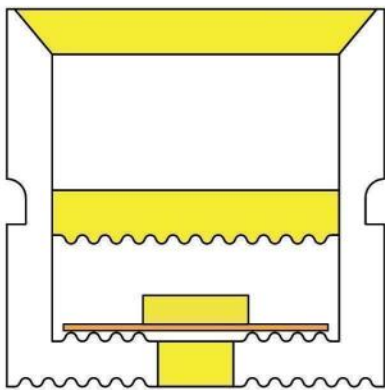
Flexible Profile

Top View Economic Version S1212



PCB Width (mm)	8
Weight (g/m)	107.5
Section size (mm)	12*12
Beam angle	120°

Aluminum Profile size(mm) 



Lighting Direction: Top Lighting

Cutting mark: Yes



End cap with hole

End cap no hole



Aluminum Clip

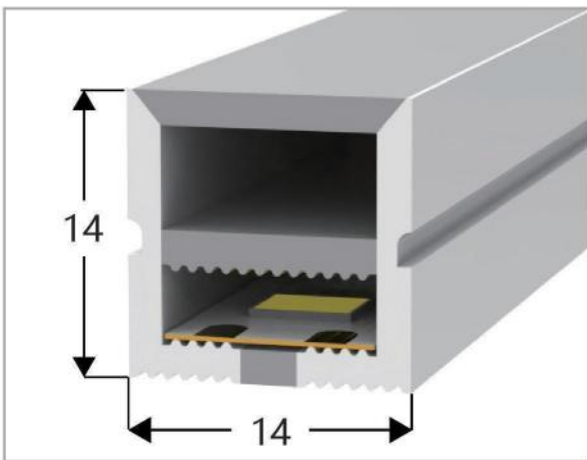
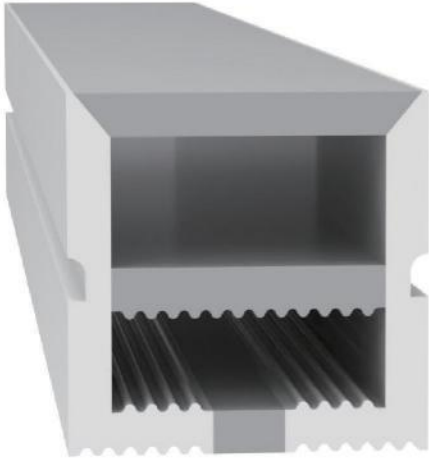


Aluminum Profile

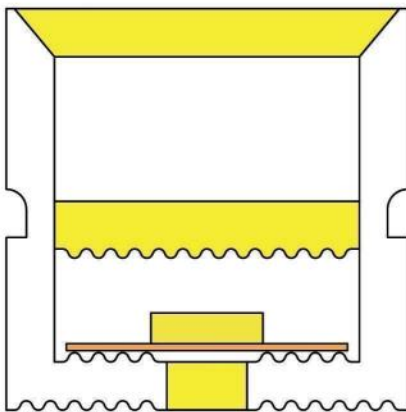
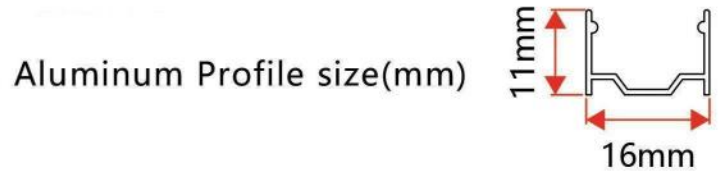


Flexible Profile

Top View Economic Version S1414



PCB Width (mm)	10
Weight (g/m)	124.5
Section size (mm)	14*14
Beam angle	120°



Lighting Direction: Top Lighting

Cutting mark: Yes



End cap with hole

End cap no hole



Aluminum Clip

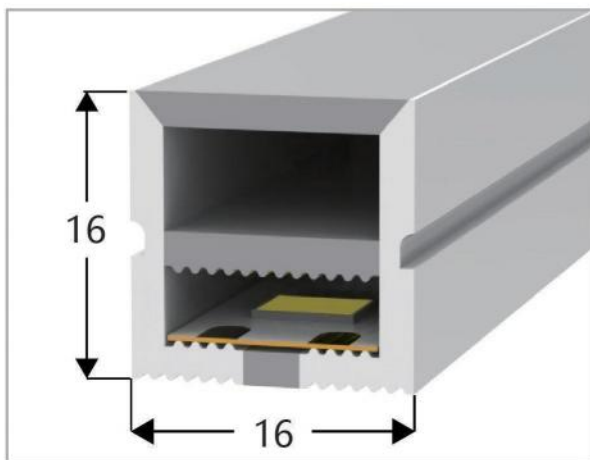


Aluminum Profile



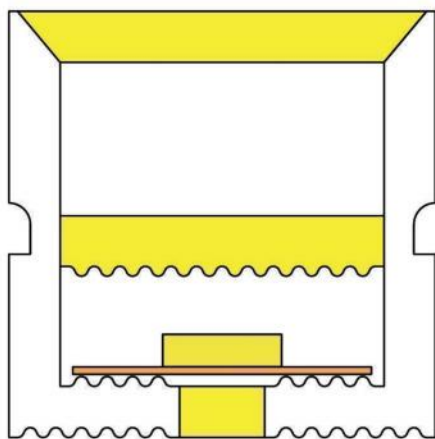
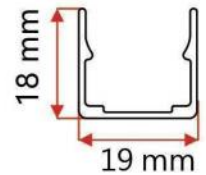
Flexible Profile

Top View Economic Version S1616



PCB Width (mm)	12
Weight (g/m)	146
Section size (mm)	16*16
Beam angle	120°

Aluminum Profile size(mm)



Lighting Direction: Top Lighting

Cutting mark:Yes



End cap with hole

End cap no hole



Aluminum Clip

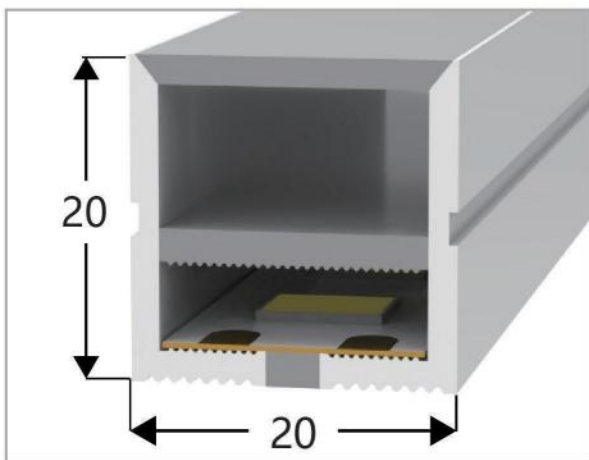
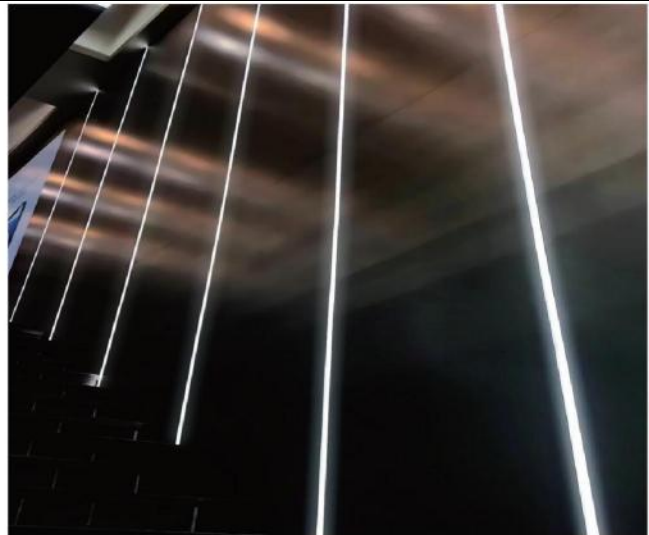


Aluminum Profile



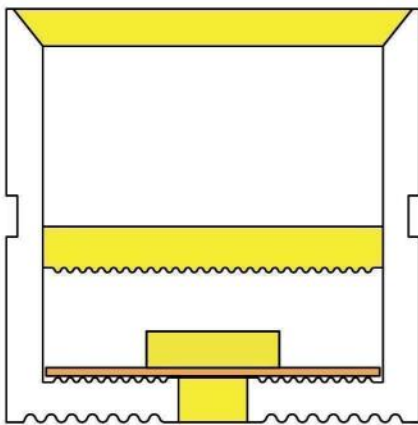
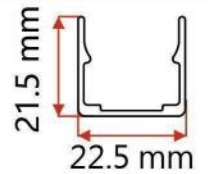
Flexible Profile

Top View Economic Version S2020



PCB Width (mm)	15
Weight (g/m)	227.5
Section size (mm)	20*20
Beam angle	120°

Aluminum Profile size(mm)



Lighting Direction: Top Lighting

Cutting mark:Yes



End cap with hole

End cap no hole



Aluminum Clip

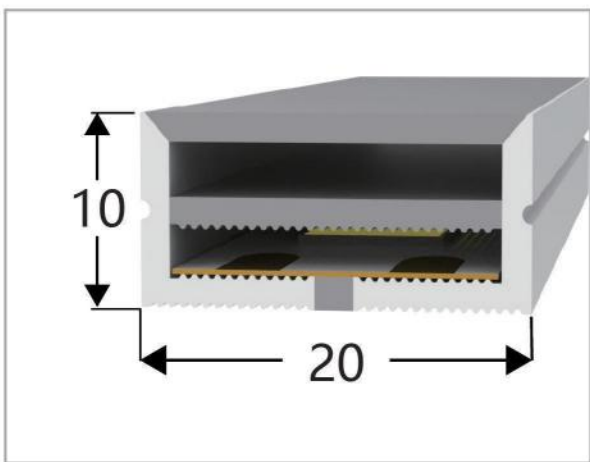


Aluminum Profile

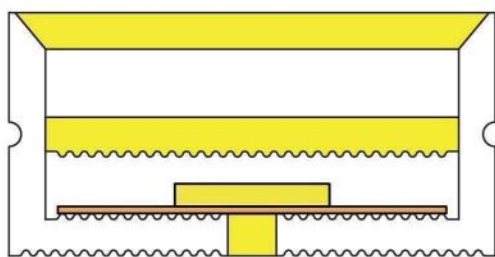
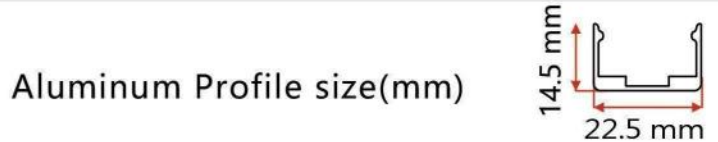


Flexible Profile

Top View Economic Version S2010

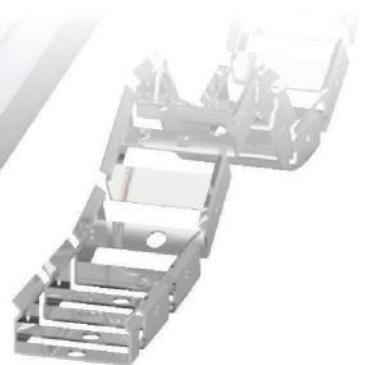


PCB Width (mm)	15
Weight (g/m)	138.5
Section size (mm)	20*10
Beam angle	120°



Lighting Direction: Top Lighting

Cutting mark:Yes



End cap with hole

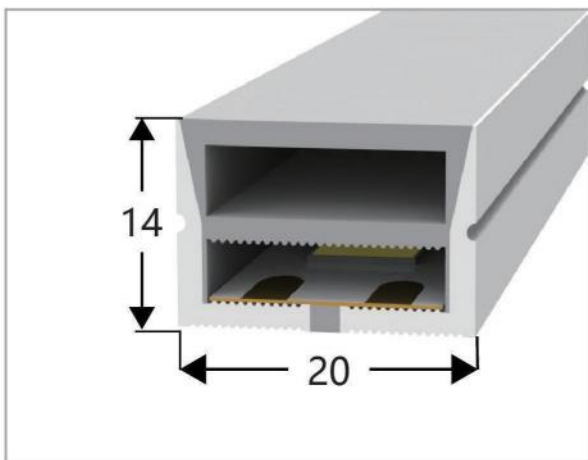
End cap no hole

Aluminum Clip

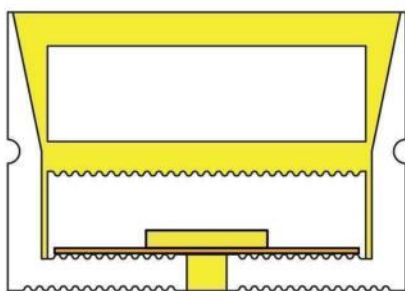
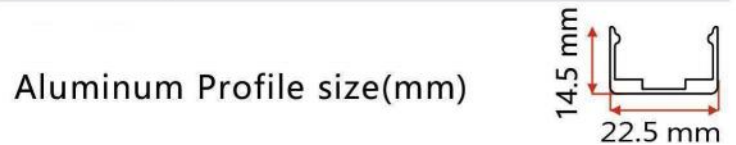
Aluminum Profile

Flexible Profile

Top View Economic Version S2014



PCB Width (mm)	15
Weight (g/m)	217
Section size (mm)	20*14
Beam angle	120°



Lighting Direction: Top Lighting

Cutting mark:Yes



End cap with hole

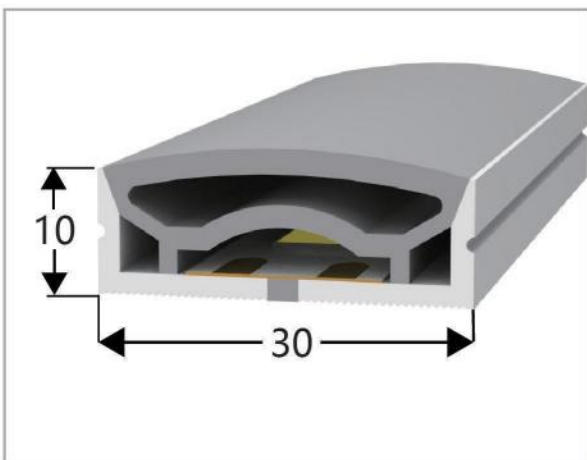
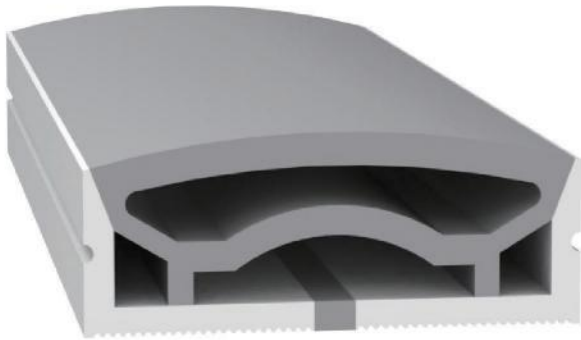
End cap no hole

Aluminum Clip

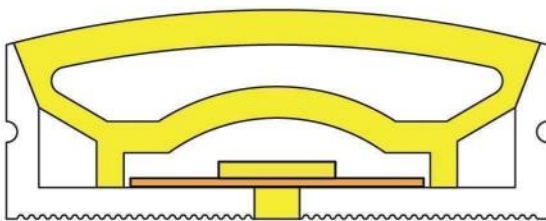
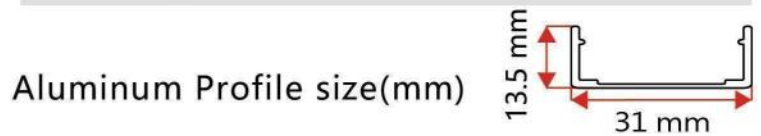
Aluminum Profile

Flexible Profile

Top View Economic Version S3010



PCB Width (mm)	15
Weight (g/m)	255
Section size (mm)	30*10
Beam angle	120°



Lighting Direction: Top Lighting

Cutting mark: Yes



End cap with hole



End cap no hole

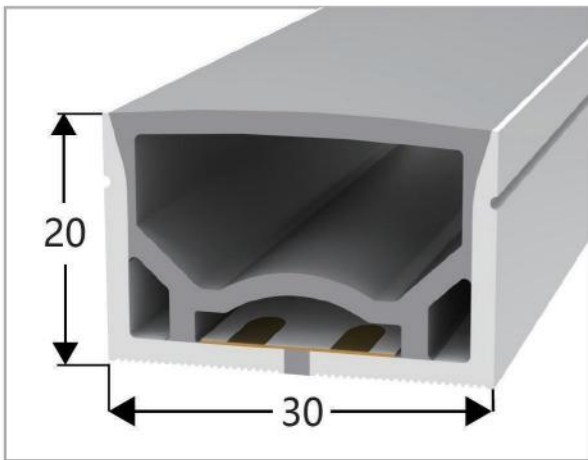
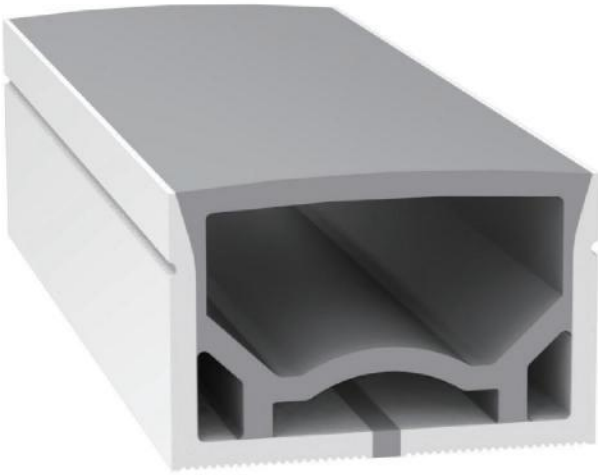


Aluminum Clip



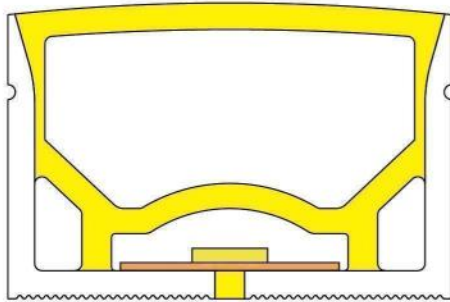
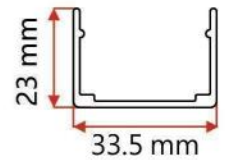
Aluminum Profile

Top View Economic Version S3020



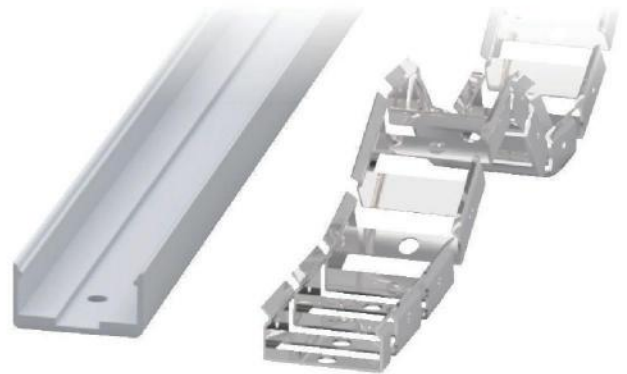
PCB Width (mm)	15
Weight (g/m)	334
Section size (mm)	30*20
Beam angle	120°

Aluminum Profile size(mm)



Lighting Direction: Top Lighting

Cutting mark: Yes



End cap with hole

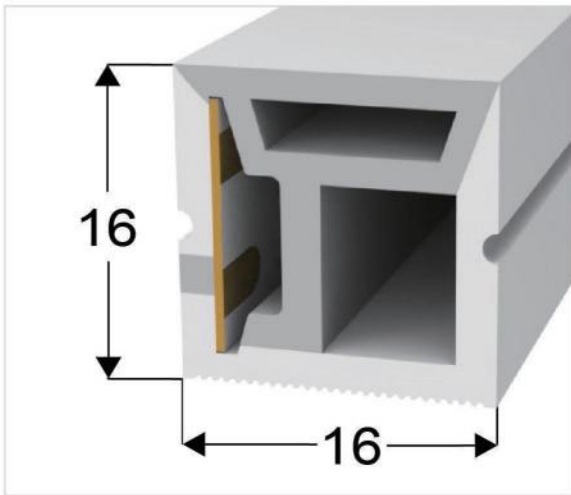
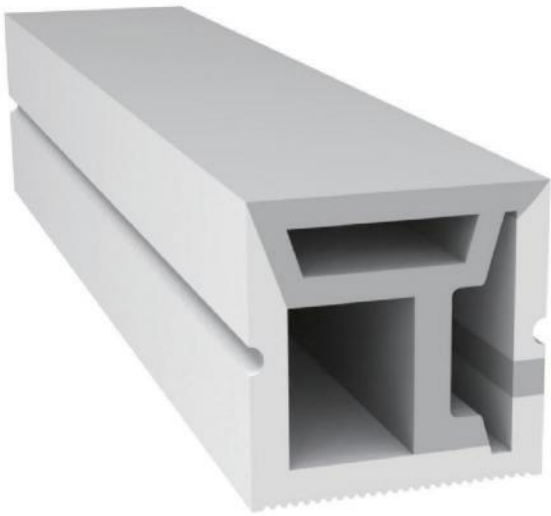
End cap no hole

Aluminum Clip

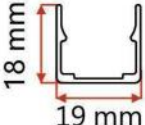
Aluminum Profile

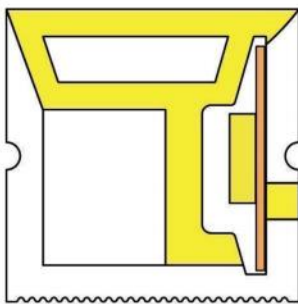
Flexible Profile

Side View Economic Version S1616



PCB Width(mm)	12
Weight(g/m)	187
Section size(mm)	16*16
Beam angle	120°

Aluminum Profile size(mm) 



Lighting Direction: Side Lighting

Cutting mark: Yes

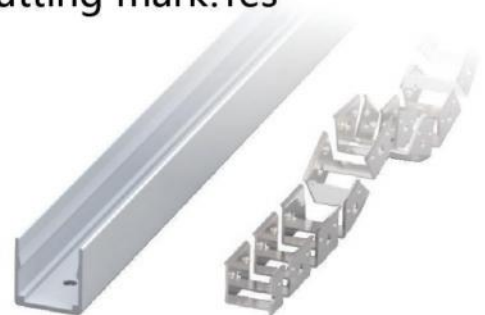


End cap with hole

End cap no hole



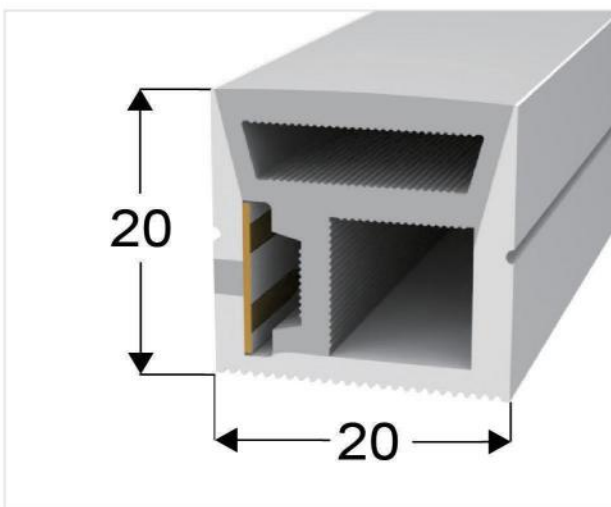
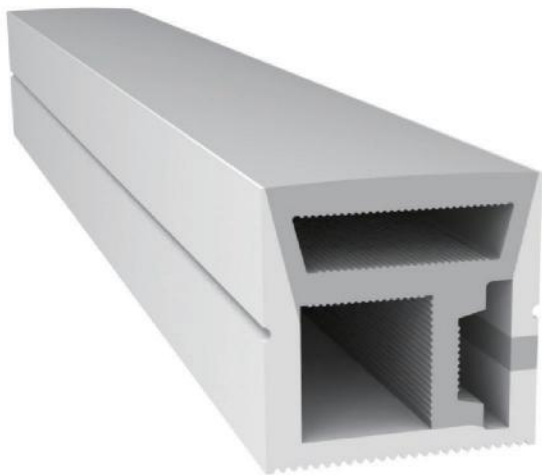
Aluminum Clip



Aluminum Profile

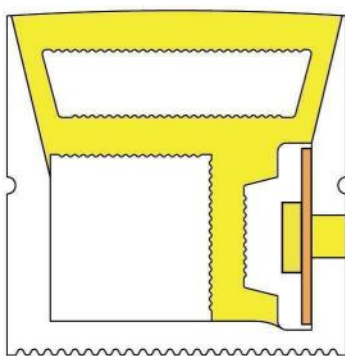
Flexible Profile

Side View Economic Version S2020



PCB Width(mm)	10
Weight(g/m)	286.5
Section size(mm)	20*20
Beam angle	120°

Aluminum Profile size(mm)	
---------------------------	--



Lighting Direction: Side Lighting

Cutting mark: Yes



End cap with hole

End cap no hole



Aluminum Clip



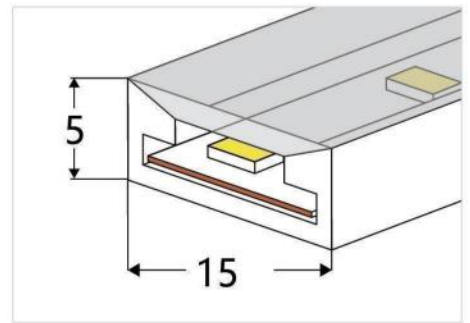
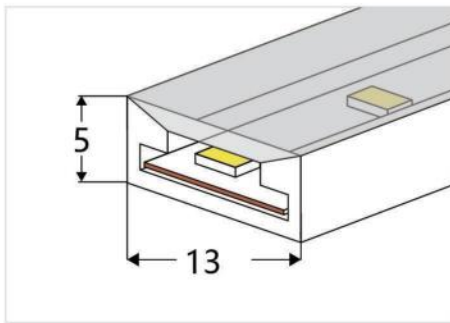
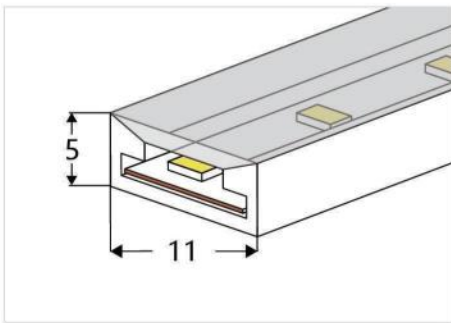
Aluminum Profile



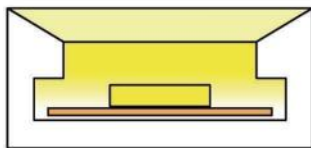
Flexible Profile

TOP VIEW SERIES

Top View S1105 S1305 S1505



PCB Width(mm)	8	10	12
Weight(g/m)	50	56	61
Section size(mm)	5*11	5*13	5*15
Beam angle	120°	120°	120°



Lighting Dairrection: Top Lighting



End cap with hole



End cap no hole

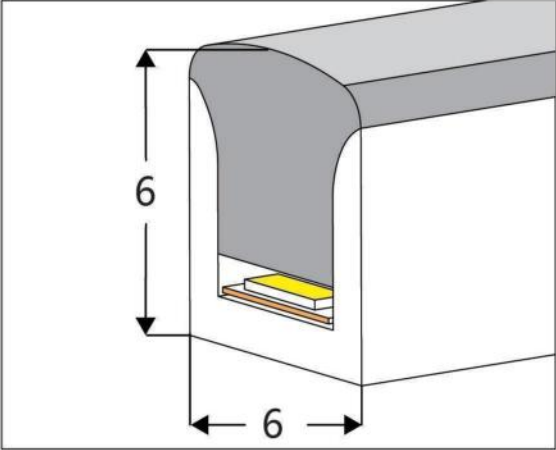
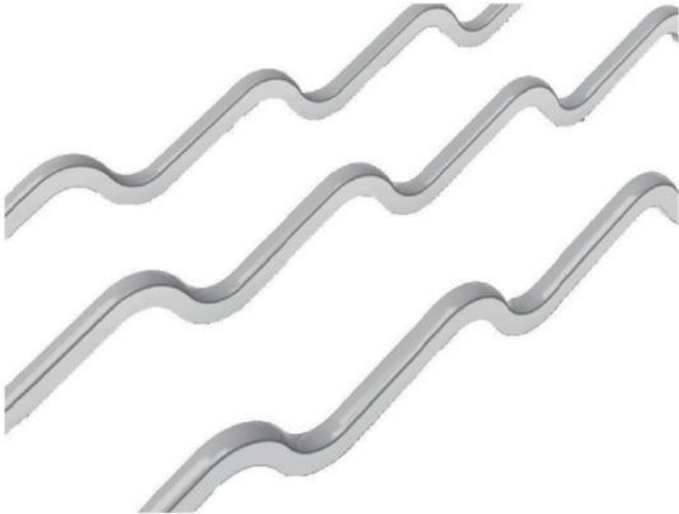
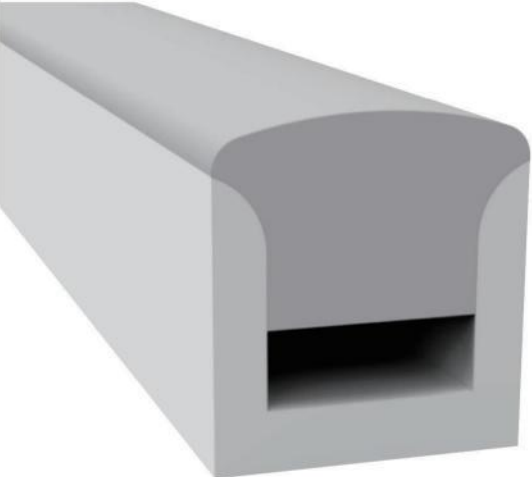


Plastic clip

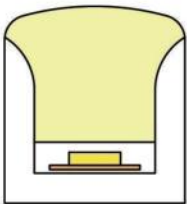


Plastic clip

Top View S0606



PCB Width (mm)	3
Weight (g/m)	42
Section size (mm)	6*6
Beam angle	180°



Lighting Dairrection: Top Lighting



End cap with hole

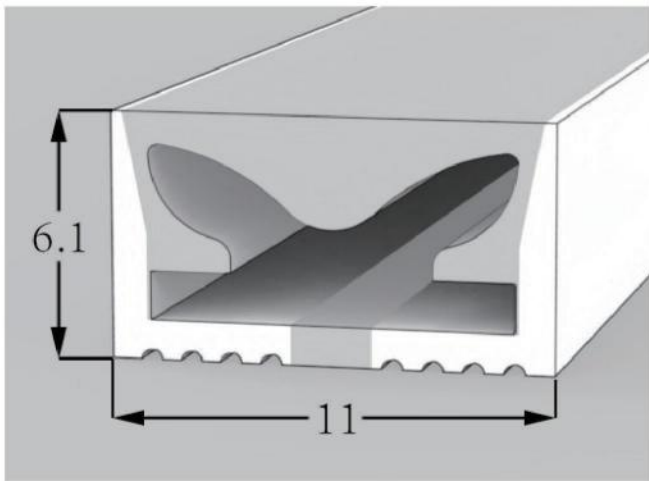
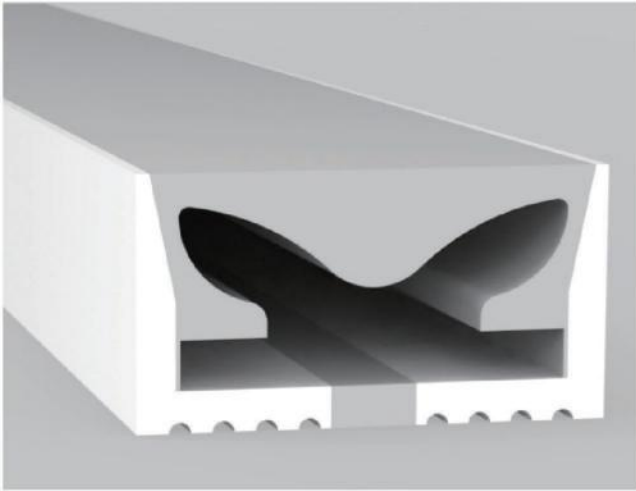


End cap no hole

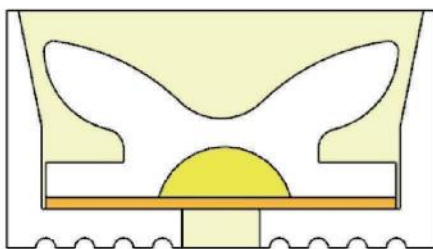


3M Tape

Top View S1106



PCB Width(mm)	8
Weight(g/m)	55
Section size(mm)	6*11
Beam angle	120°



Lighting Direction: Top Lighting

Cutting mark:Yes



End cap with hole

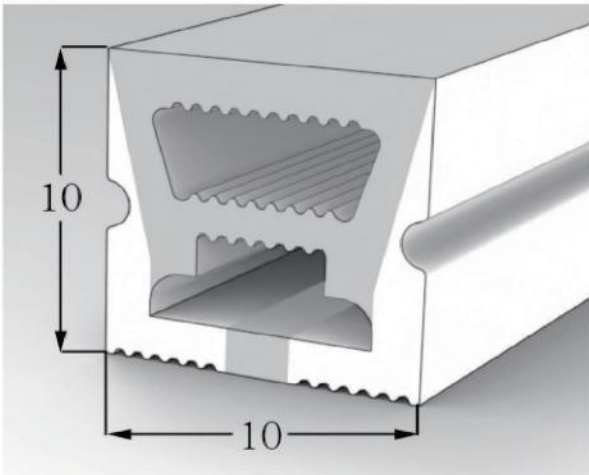
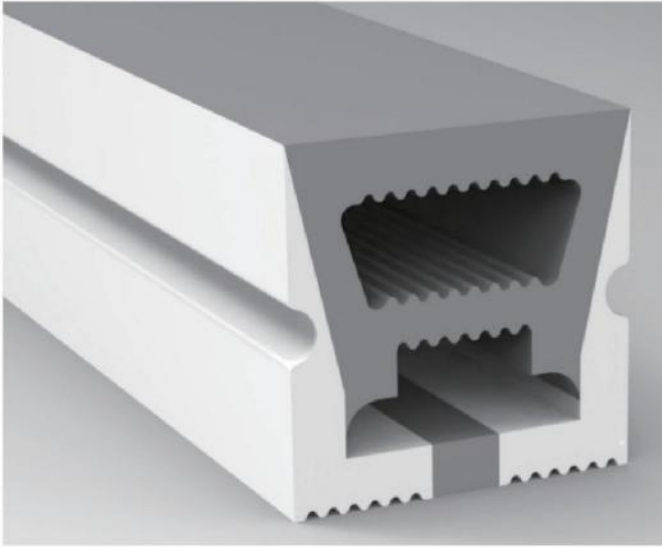


End cap no hole

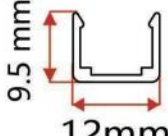


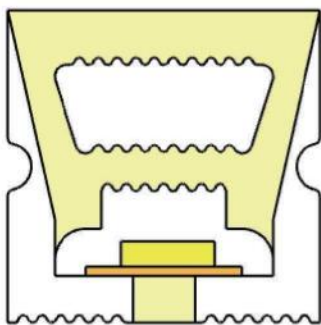
Plastic clip

Top View S1010A



PCB Width(mm)	5
Weight(g/m)	90
Section size(mm)	10*10
Beam angle	120°

Aluminum Profile size(mm)  9.5 mm x 12 mm



Lighting Direction: sides Lighting
Cutting Mark Yes



End cap with hole

End cap no hole



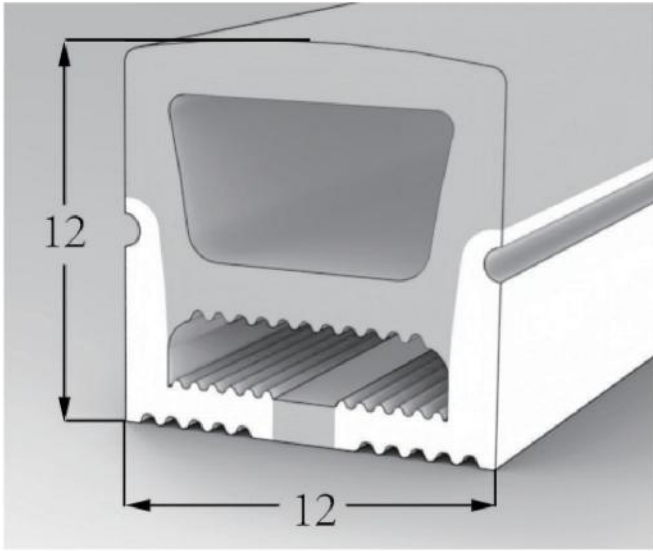
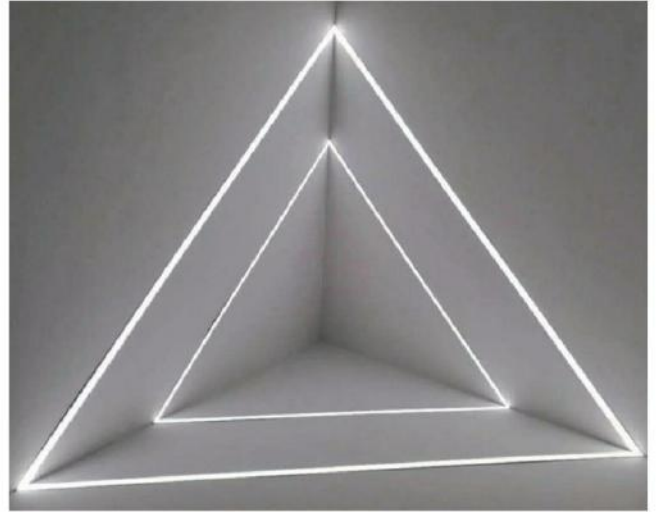
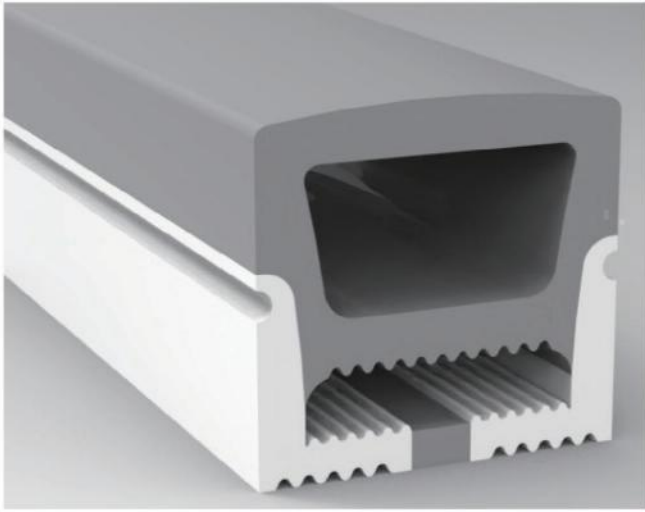
Aluminum Clip



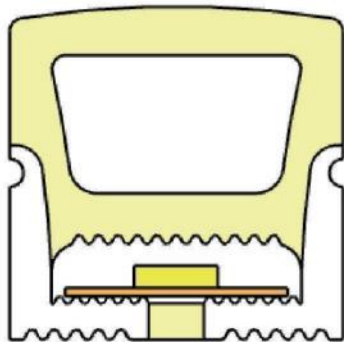
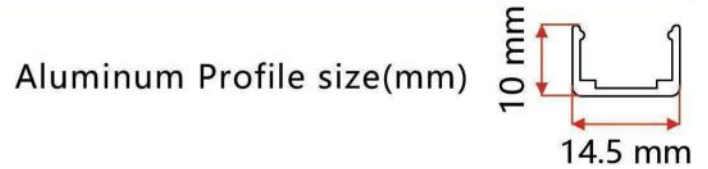
Aluminum Profile

Flexible Profile

Top View S1212A



PCB Width(mm)	8
Weight(g/m)	107
Section size(mm)	12*12
Beam angle	180°



Lighting Direction: 3 sides Top Lighting
Cutting mark: Yes

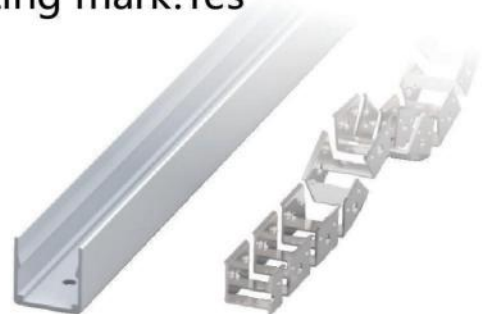


End cap with hole

End cap no hole



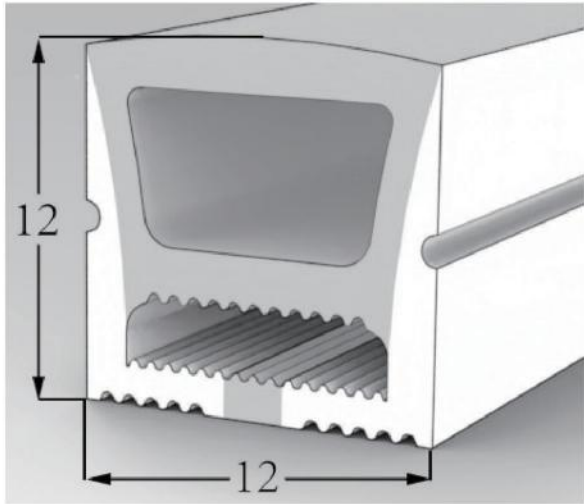
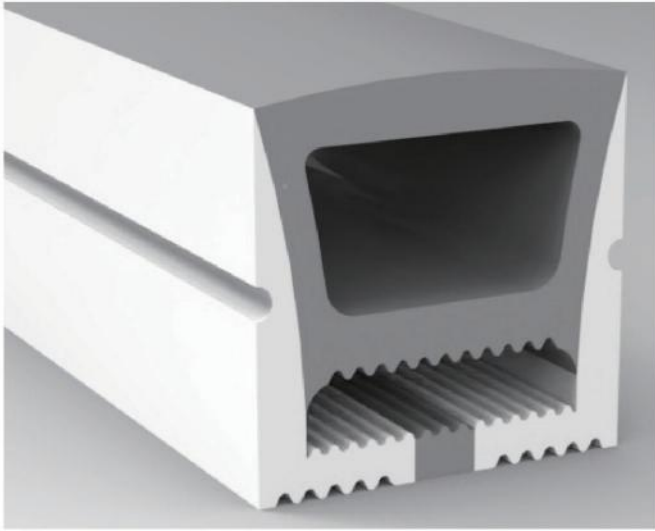
Aluminum Clip



Aluminum Profile

Flexible Profile

Top View S1212B



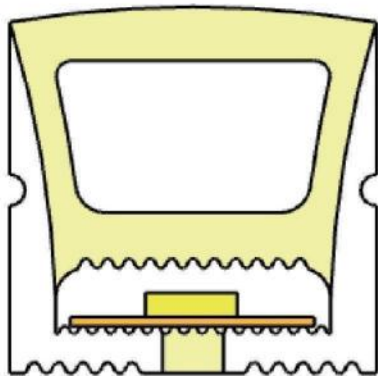
PCB Width(mm) 8

Weight(g/m) 114

Section size(mm) 12*12

Beam angle 120°

Aluminum Profile size(mm)  10 mm 14.5 mm



Lighting Dairrection: Top Lighting
Cutting mark:Yes



End cap with hole

End cap no hole



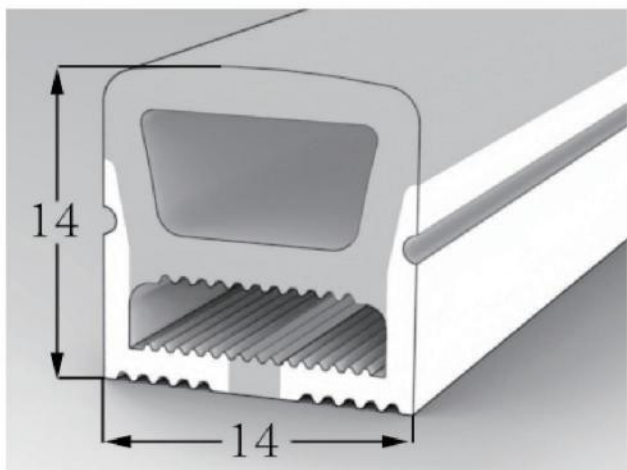
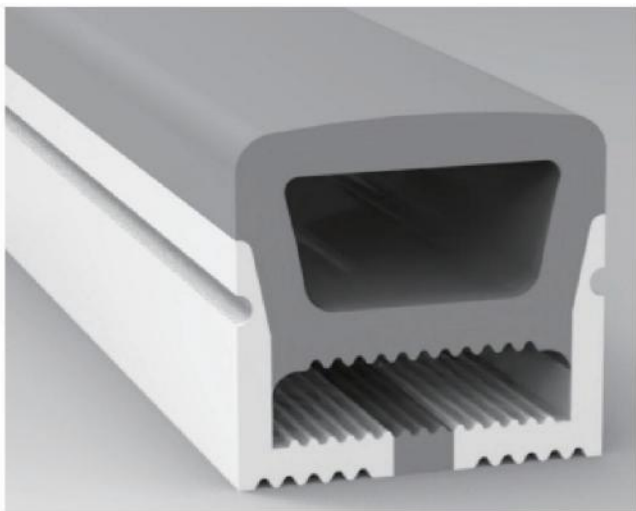
Aluminum Clip



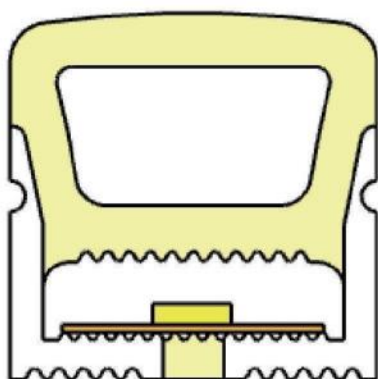
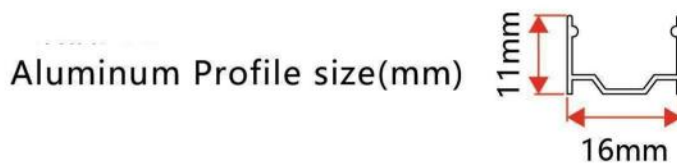
Aluminum Profile

Flexible Profile

Top View S1414A



PCB Width(mm)	10
Weight(g/m)	147
Section size(mm)	14*14
Beam angle	180°



Lighting Direction: 3 sides Top Lighting
Cutting mark:Yes



End cap with hole

End cap no hole

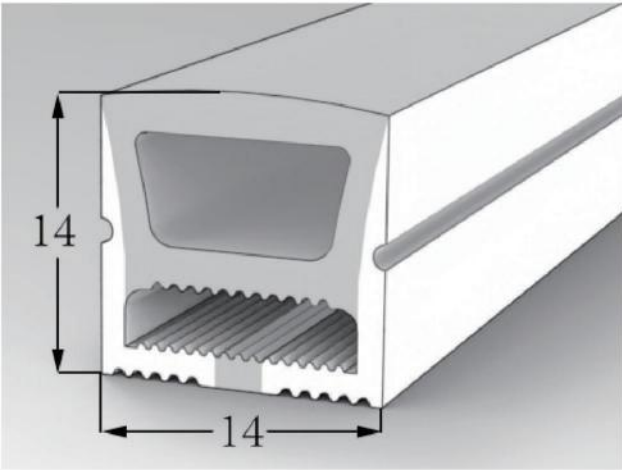
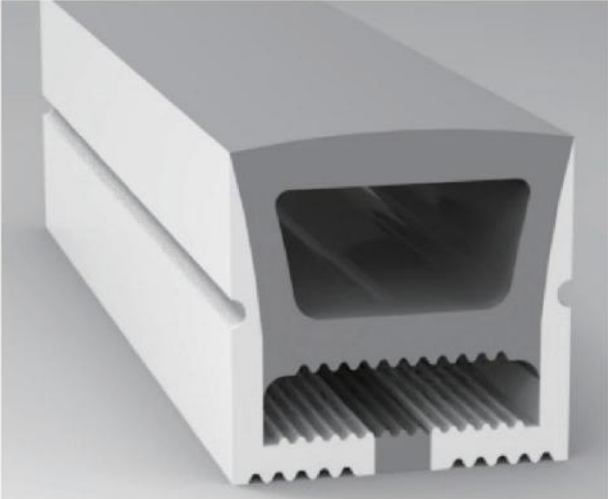


Aluminum Clip

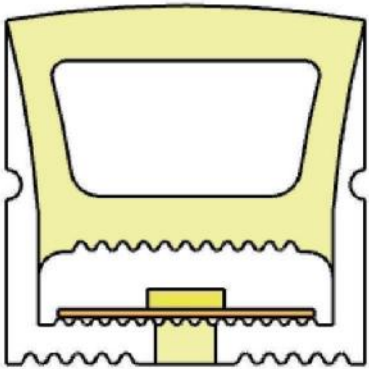
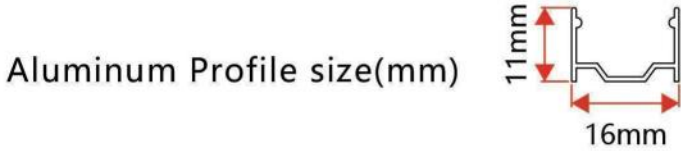


Aluminum Profile

Top View S1414B



PCB Width(mm)	10
Weight(g/m)	145
Section size(mm)	14*14
Beam angle	120°

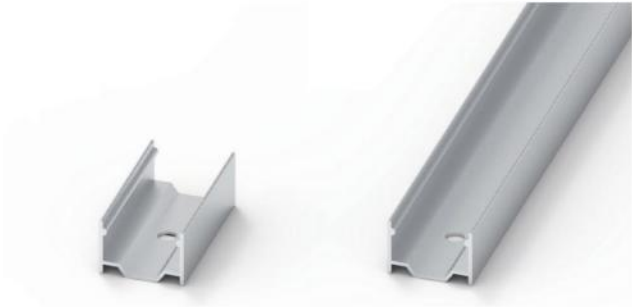


Lighting Dairction: Top Lighting
Cutting mark:Yes



End cap with hole

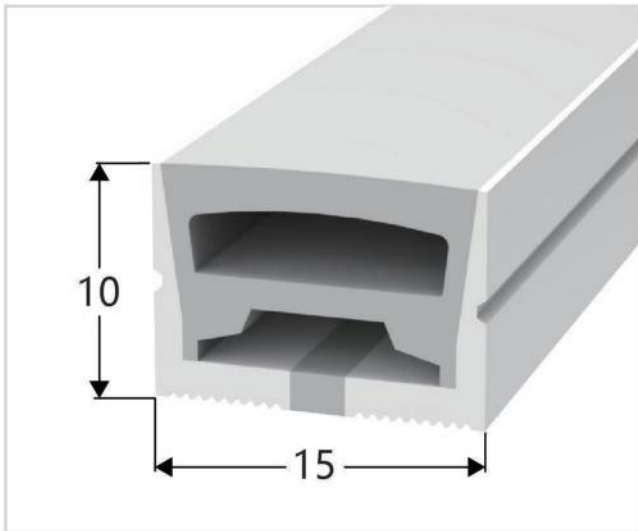
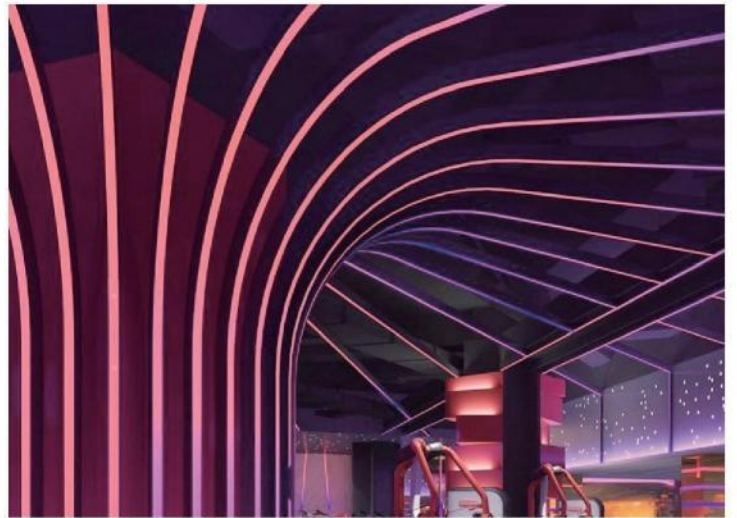
End cap no hole



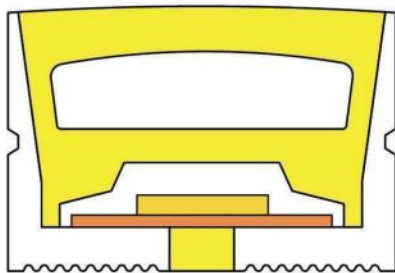
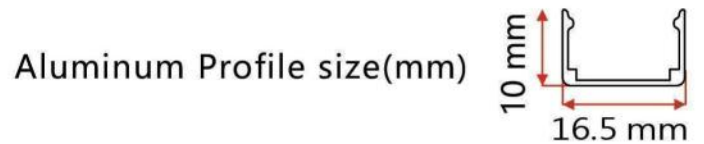
Aluminum Clip

Aluminum Profile

Top View S1510



PCB Width(mm)	10
Weight(g/m)	131
Section size(mm)	15*10
Beam angle	120°



Lighting Dairction: Top Lighting
Cutting mark:Yes



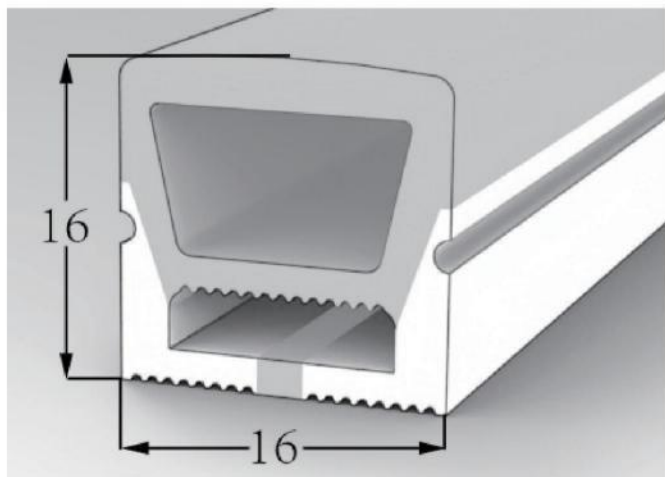
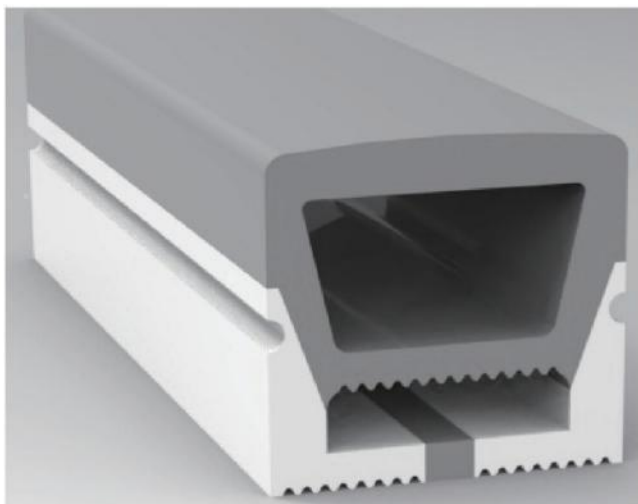
End cap with hole

End cap no hole

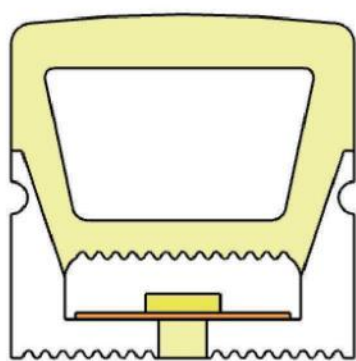
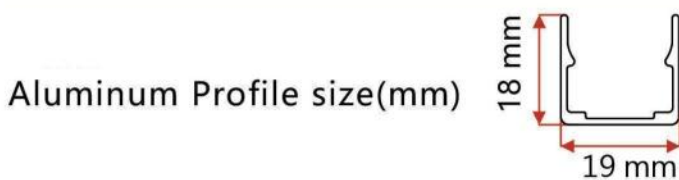
Aluminum Clip

Aluminum Profile

Top View S1616A



PCB Width(mm)	10
Weight(g/m)	198
Section size(mm)	16*16
Beam angle	180°



Lighting Dairction: 3 sides Top Lighting
Cutting mark:Yes



End cap with hole

End cap no hole



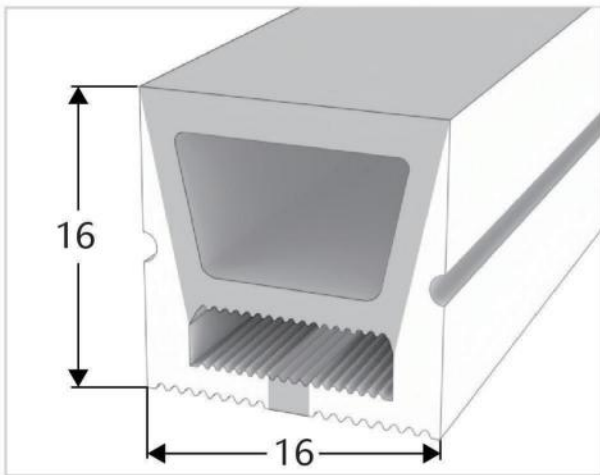
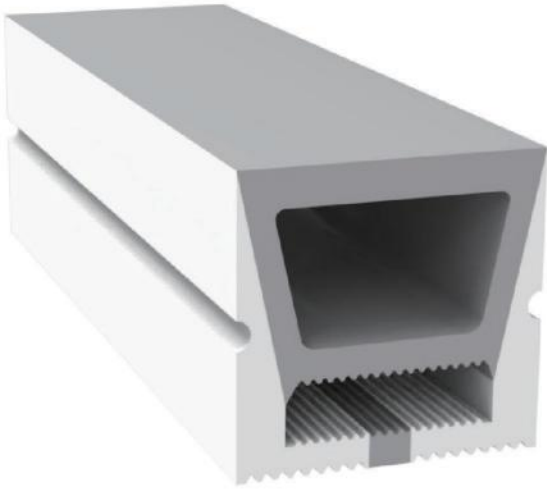
Aluminum Clip



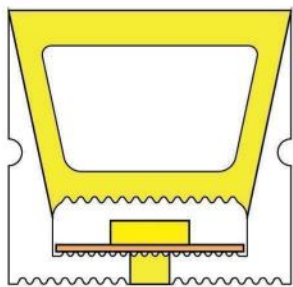
Aluminum Profile

Flexible Profile

Top View S1616B



PCB Width(mm)	10
Weight(g/m)	192
Section size(mm)	16*16
Beam angle	120°



Lighting Direction: Top Lighting
Cutting mark:Yes

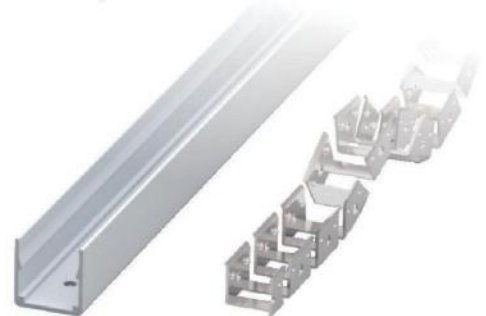


End cap with hole

End cap no hole



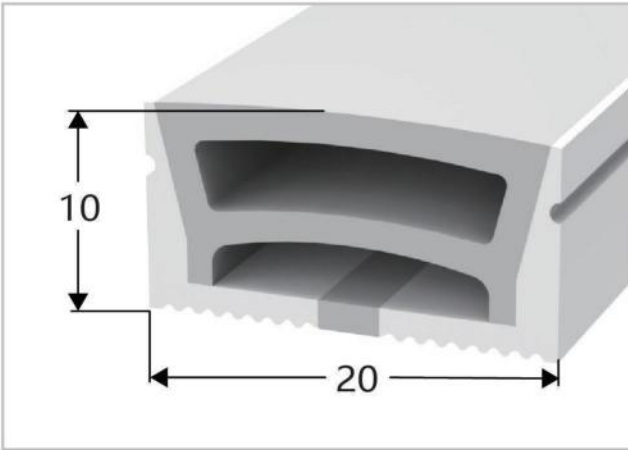
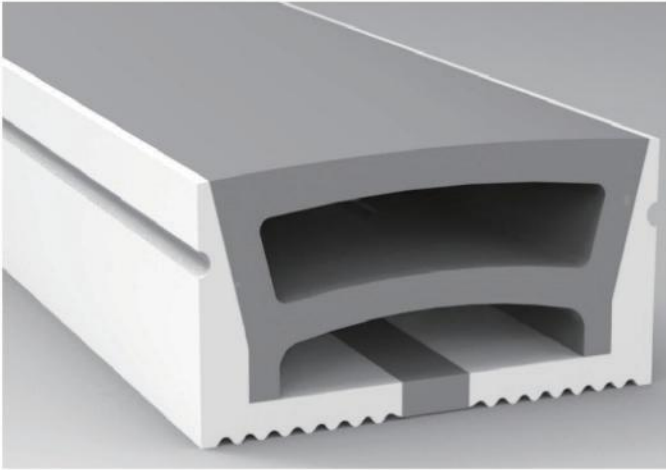
Aluminum Clip



Aluminum Profile

Flexible Profile

Top View S2010



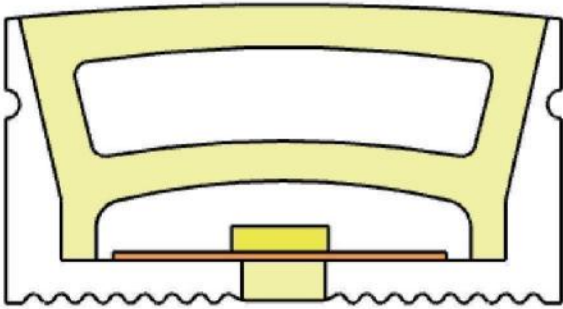
PCB Width(mm) 10/12

Weight(g/m) 180

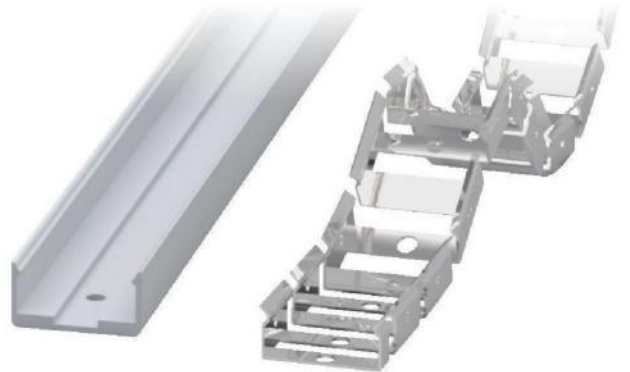
Section size(mm) 20*10

Beam angle 120°

Aluminum Profile size(mm) 



Lighting Direction: Top Lighting
Cutting mark: Yes



End cap with hole

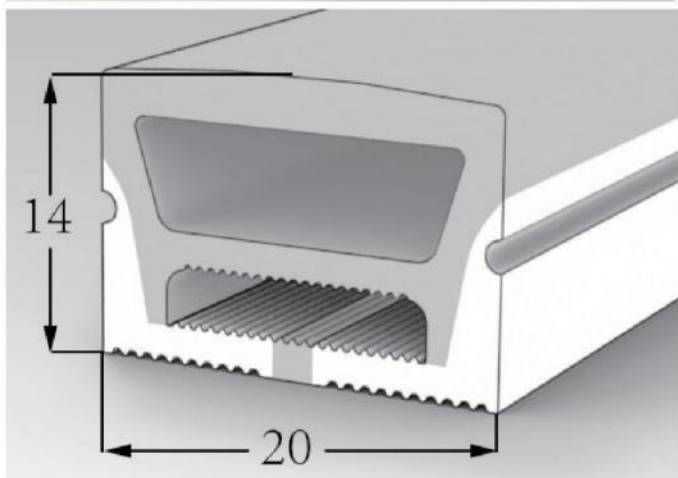
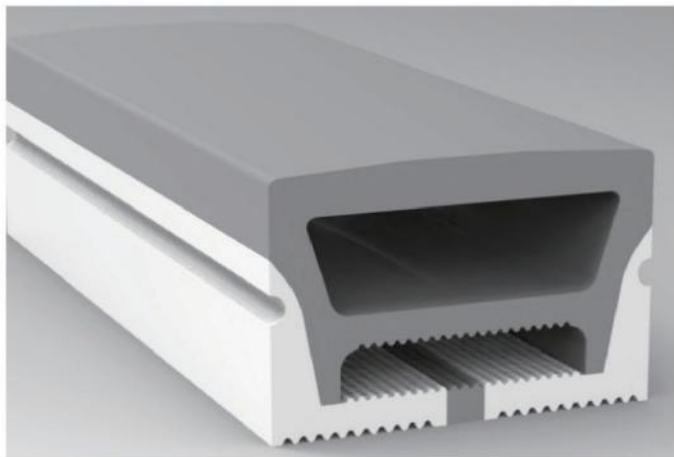
End cap no hole

Aluminum Clip

Aluminum Profile

Flexible Profile

Top View S2014A



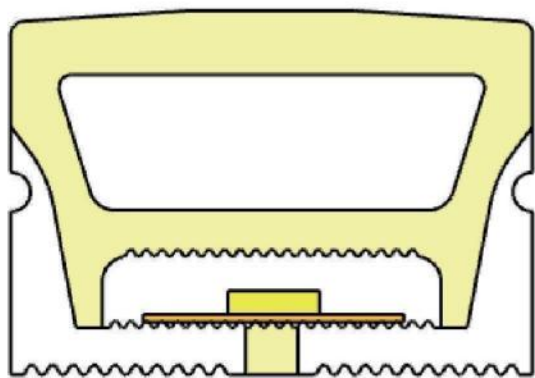
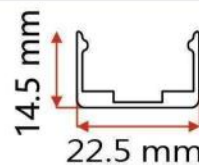
PCB Width(mm) 10

Weight(g/m) 215

Section size(mm) 20*14

Beam angle 180°

Aluminum Profile size(mm)



Lighting Direction: 3 sides Top Lighting
Cutting mark:Yes

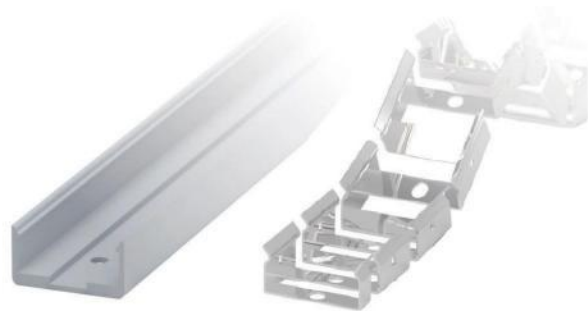


End cap with hole

End cap no hole



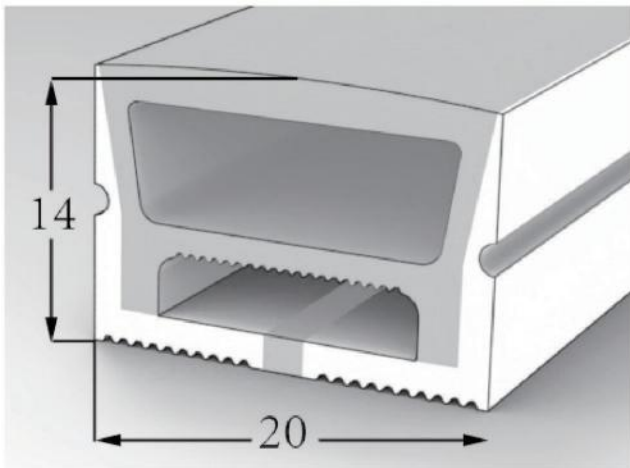
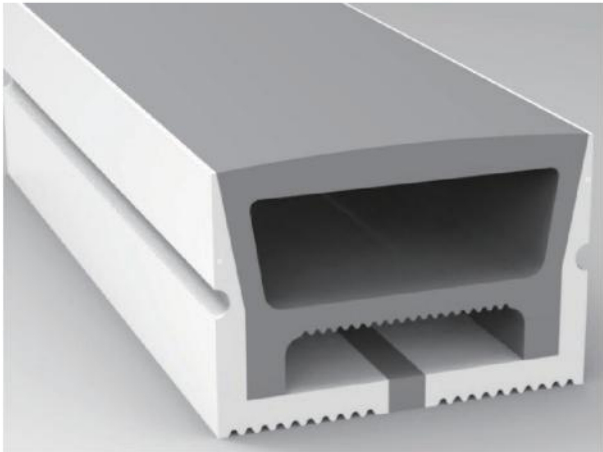
Aluminum Clip



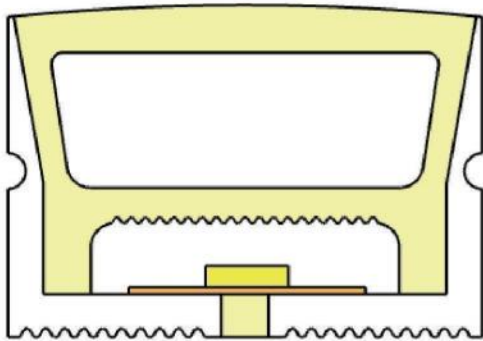
Aluminum Profile

Flexible Profile

Top View S2014B



PCB Width(mm)	10
Weight(g/m)	214
Section size(mm)	20*14
Beam angle	120°



Lighting Direction: Top Lighting
Cutting mark: Yes

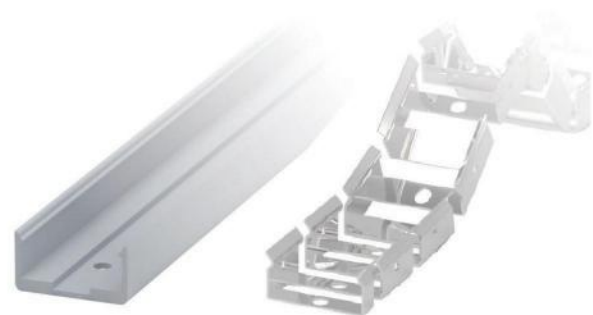


End cap with hole

End cap no hole



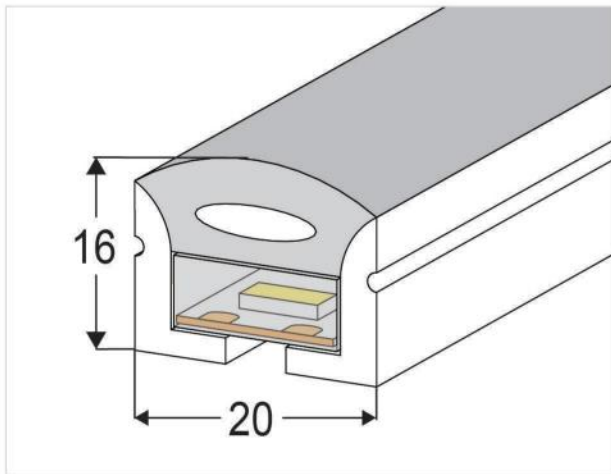
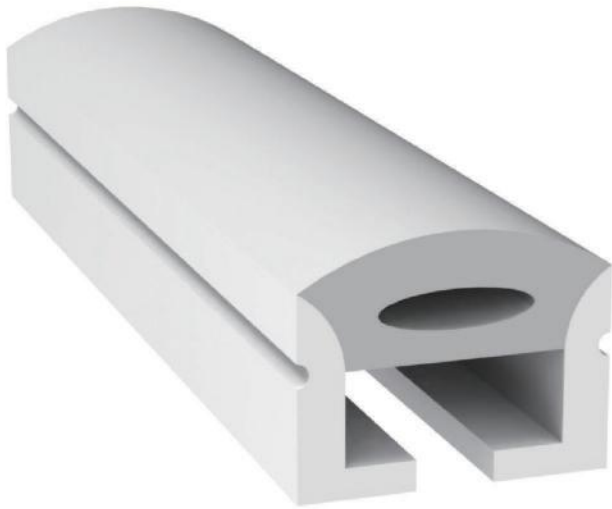
Aluminum Clip



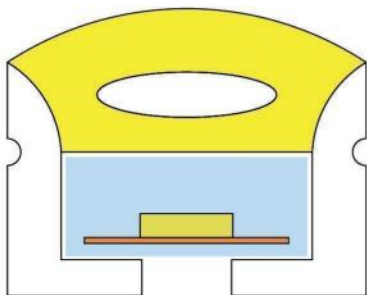
Aluminum Profile

Flexible Profile

Top View S2016



PCB Width(mm)	10
Weight(g/m)	233
Section size(mm)	20*16
Beam angle	180°



Lighting Direction: Top Lighting

Cutting mark:Yes



End cap with hole

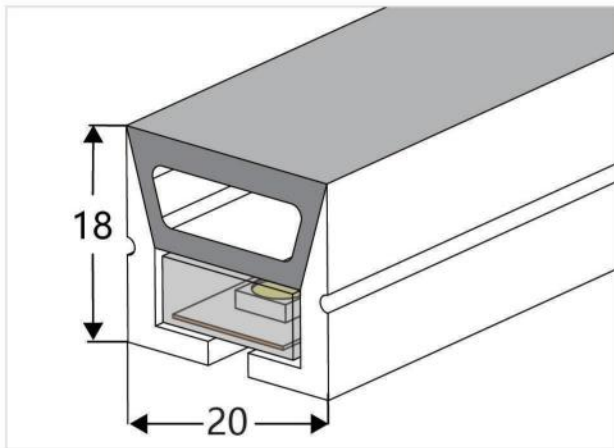
End cap no hole

Aluminum Clip

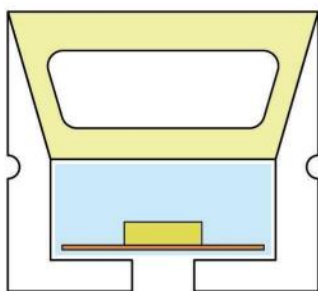
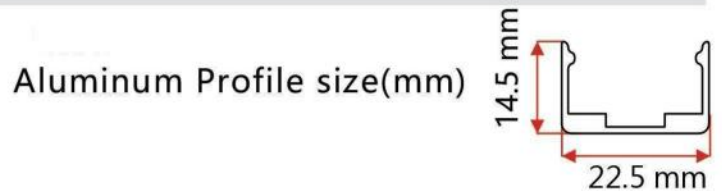
Aluminum Profile

Flexible Profile

Top View S2018



PCB Width(mm)	10
Weight(g/m)	238
Section size(mm)	20*18
Beam angle	120°



Lighting Direction: Top Lighting
Cutting mark: Yes



Aluminum Profile

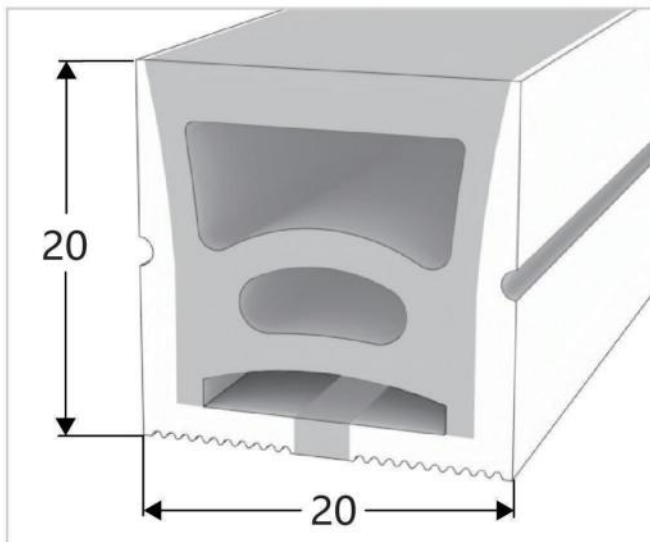


Aluminum Clip



Flexible Profile

Top View S2020A



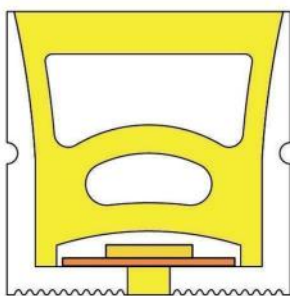
PCB Width(mm) 10/12

Weight(g/m) 348

Section size(mm) 20*20

Beam angle 180°

Aluminum Profile size(mm) 21.5 mm x 22.5 mm



Lighting Direction: Top Lighting
Cutting mark: Yes



End cap with hole

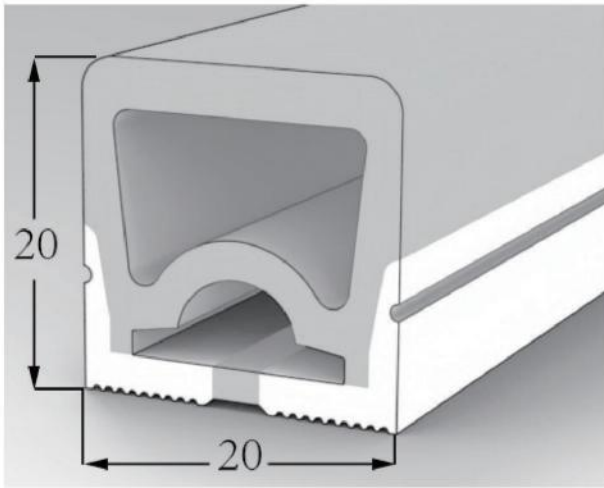
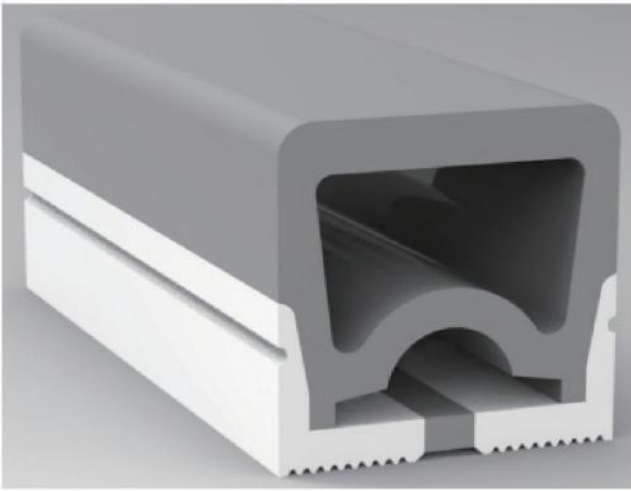
End cap no hole

Aluminum Clip

Aluminum Profile

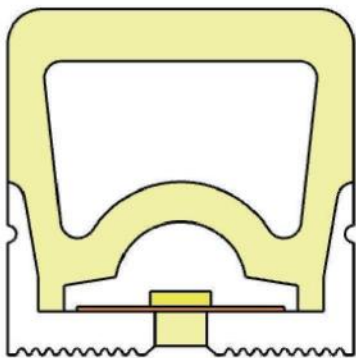
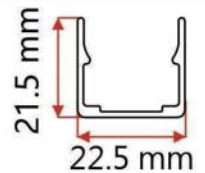
Flexible Profile

Top View S2020B



PCB Width(mm)	10/12
Weight(g/m)	295
Section size(mm)	20*20
Beam angle	180°

Aluminum Profile size(mm)



Lighting Direction: 3 sides Top Lighting
Cutting mark:Yes



End cap with hole

End cap no hole



Aluminum Clip

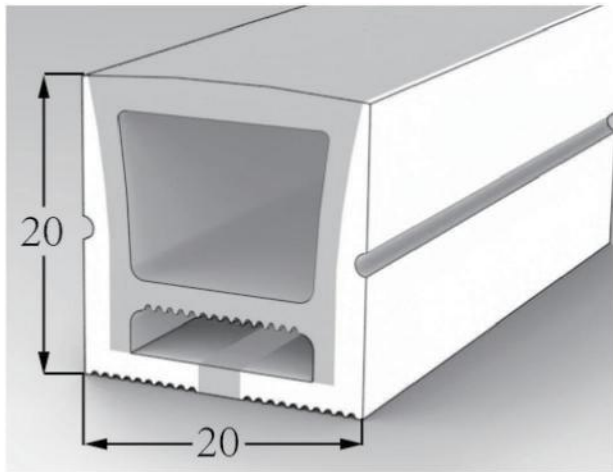
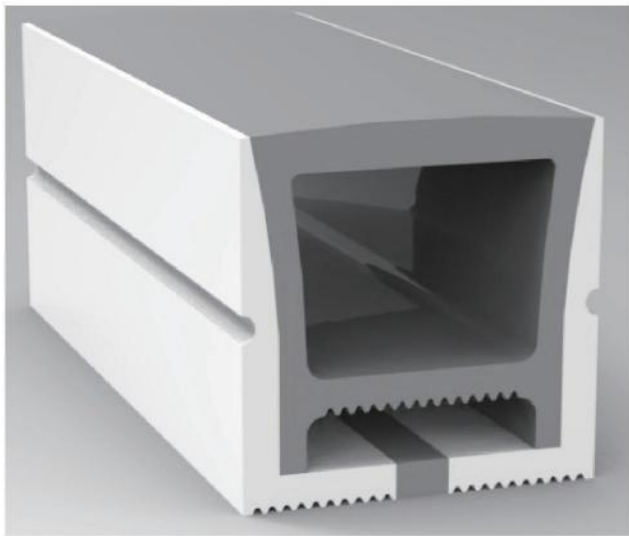


Aluminum Profile

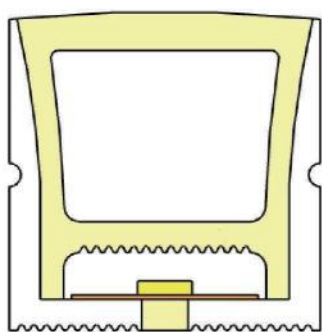


Flexible Profile

Top View S2020C



PCB Width(mm)	10/12
Weight(g/m)	271
Section size(mm)	20*20
Beam angle	180°



Lighting Direction: Top Lighting
Cutting mark: Yes



End cap with hole

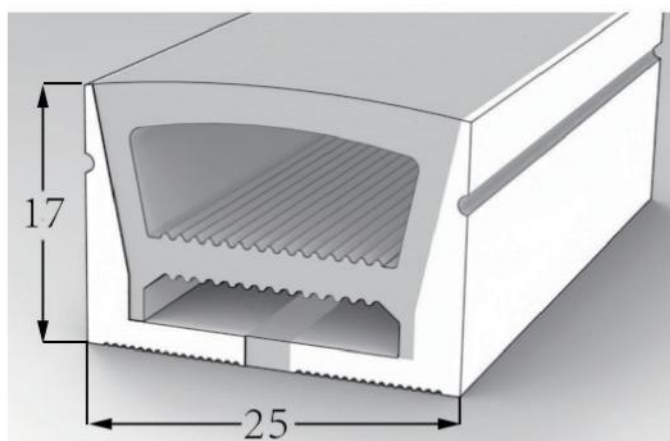
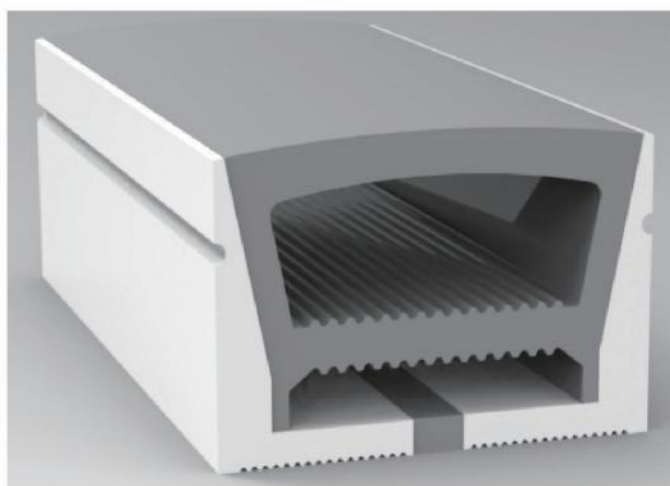
End cap no hole

Aluminum Clip

Aluminum Profile

Flexible Profile

Top View S2517



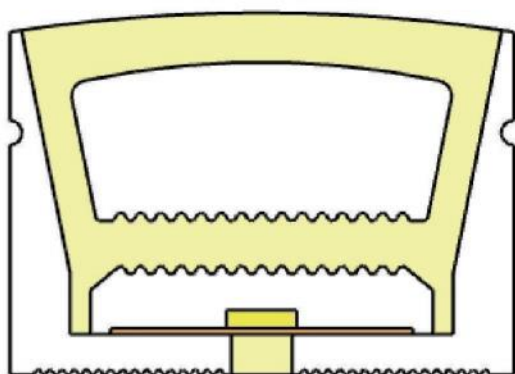
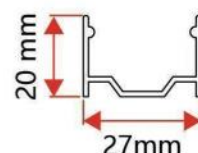
PCB Width(mm) 15

Weight(g/m) 362

Section size(mm) 25*17

Beam angle 120°

Aluminum Profile size(mm)



Lighting Direction: Top Lighting
Cutting mark: Yes



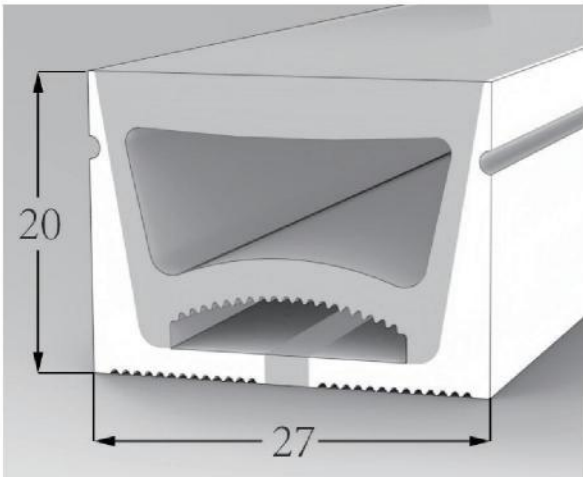
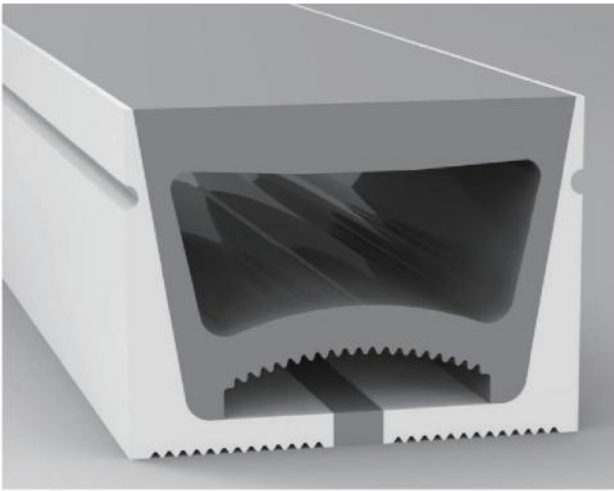
End cap with hole

End cap no hole

Aluminum Clip

Aluminum Profile

Top View S2720



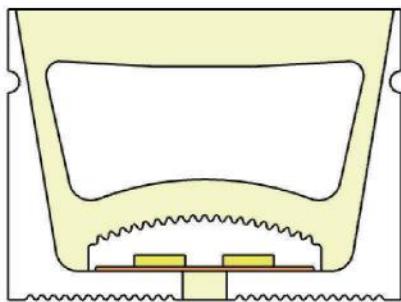
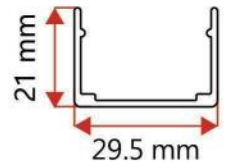
PCB Width(mm) 15

Weight(g/m) 400

Section size(mm) 27*20

Beam angle 120°

Aluminum Profile size(mm)



Lighting Direction: Top Lighting

Cutting mark: Yes



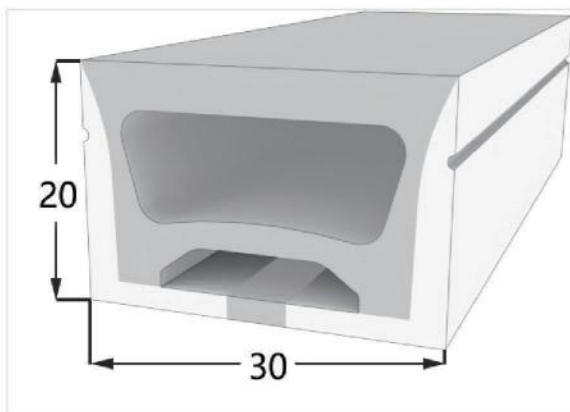
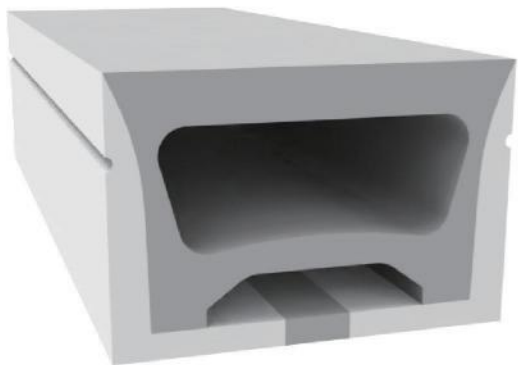
End cap with hole

End cap no hole

Aluminum Clip

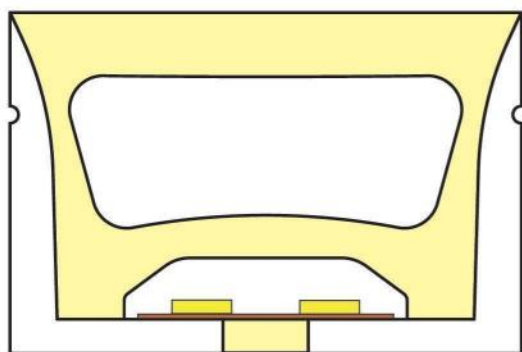
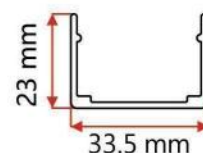
Aluminum Profile

Top View S3020A

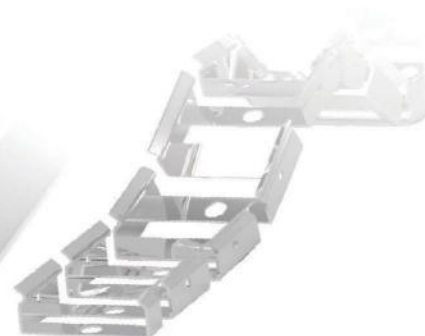


PCB Width(mm)	15
Weight(g/m)	476
Section size(mm)	30*20
Beam angle	120°

Aluminum Profile size(mm)



Lighting Direction: Top Lighting
Cutting mark:Yes



End cap with hole

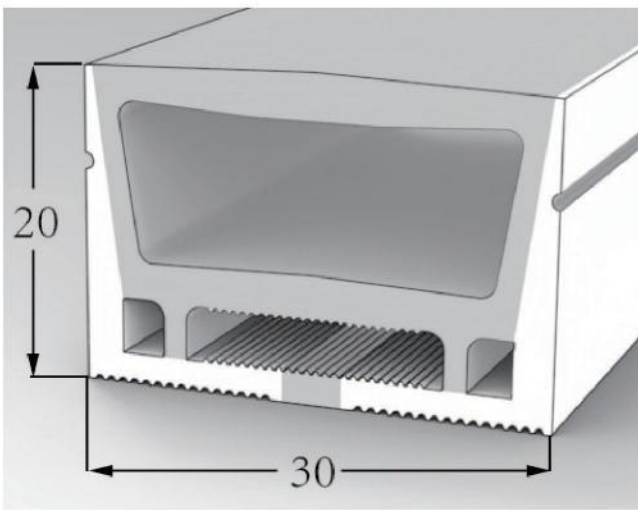
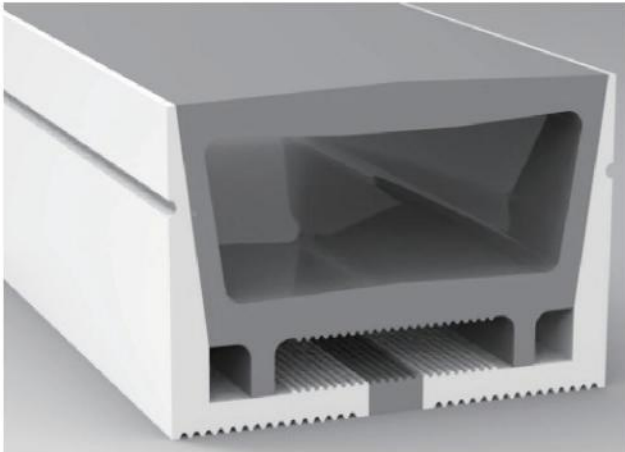
End cap no hole

Aluminum Clip

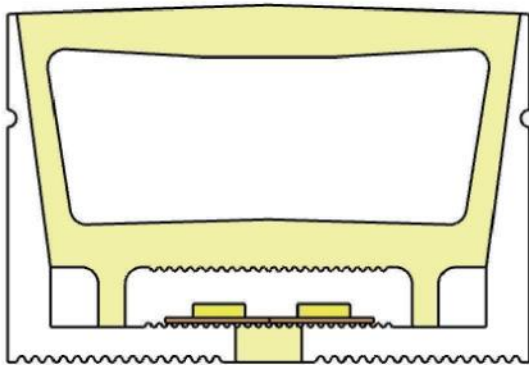
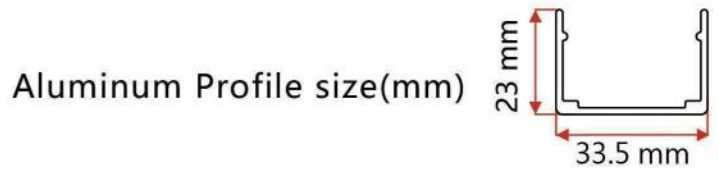
Aluminum Profile

Flexible Profile

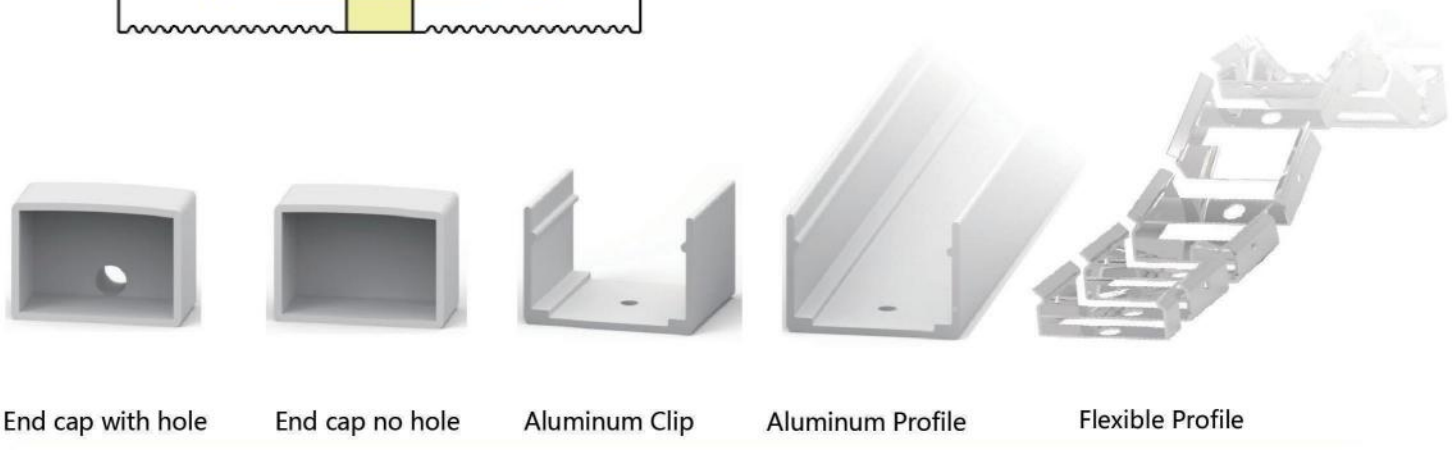
Top View S3020B



PCB Width(mm)	15
Weight(g/m)	428
Section size(mm)	30*20
Beam angle	120°



Lighting Direction: Top Lighting
Cutting mark: Yes



End cap with hole

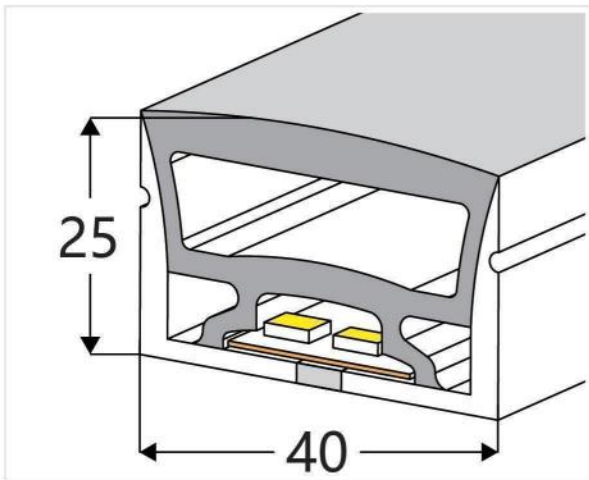
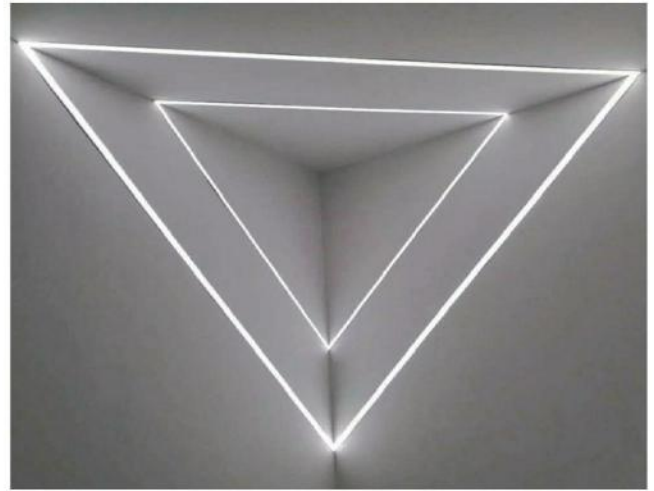
End cap no hole

Aluminum Clip

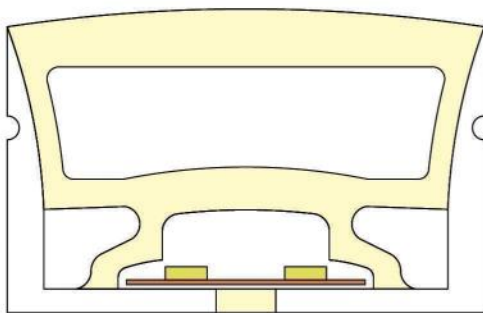
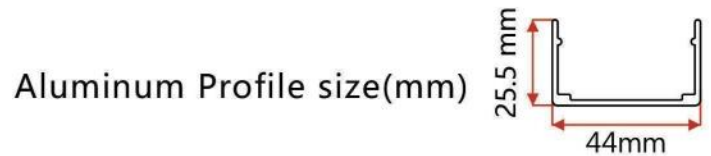
Aluminum Profile

Flexible Profile

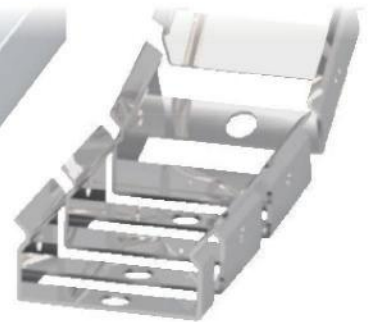
Top View S4025A



PCB Width(mm)	20
Weight(g/m)	657
Section size(mm)	40*25
Beam angle	120°



Lighting Dairction: Top Lighting
Cutting mark:Yes



End cap with hole

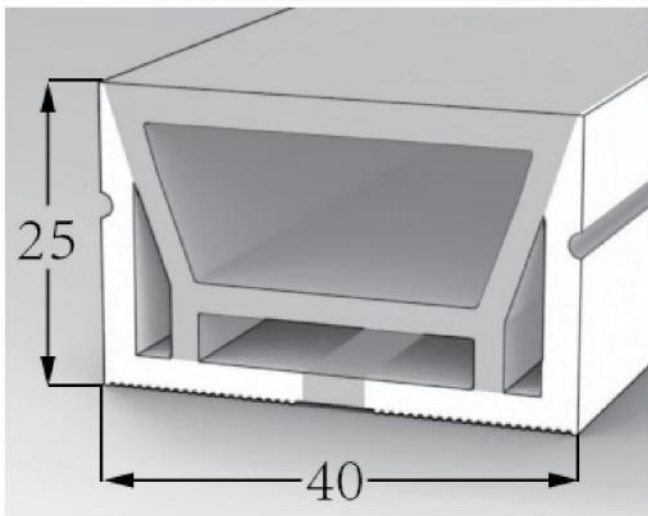
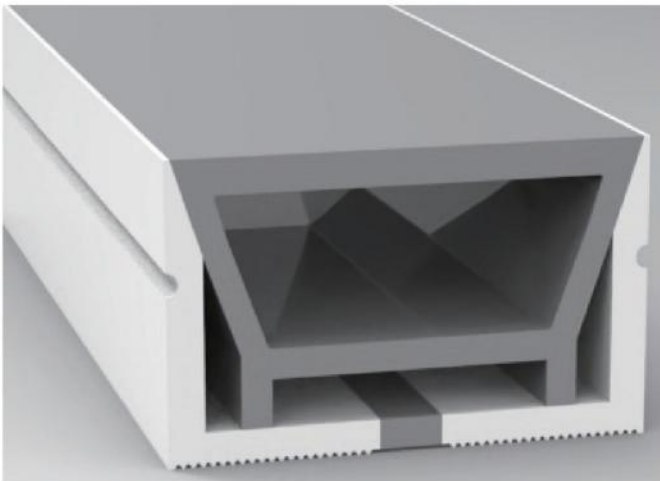
End cap no hole

Aluminum Clip

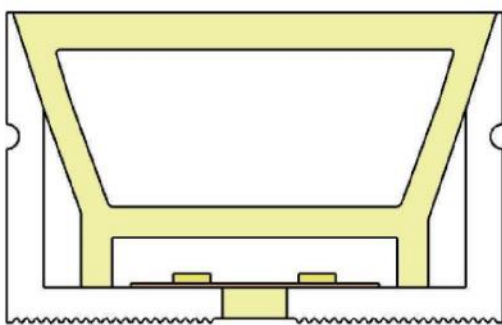
Aluminum Profile

Flexible Profile

Top View S4025B



PCB Width(mm)	Top View20 /Side View8
Weight(g/m)	592
Section size(mm)	40*25
Beam angle	120°



Lighting Direction: Top Lighting/
Side Lighting
Cutting mark:Yes



End cap with hole

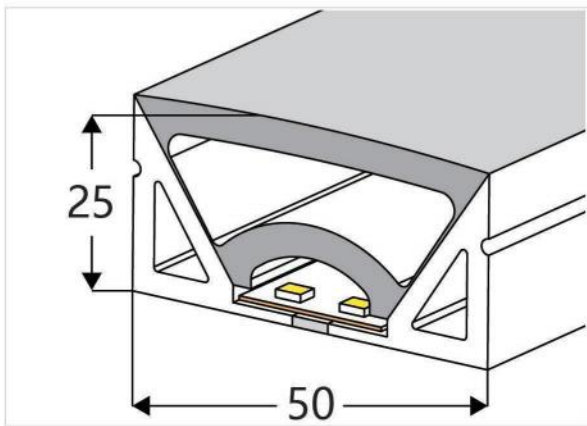
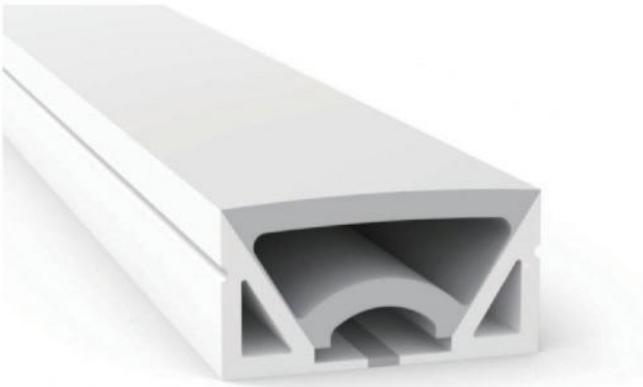
End cap no hole

Aluminum Clip

Aluminum Profile

Flexible Profile

Top View S5025A

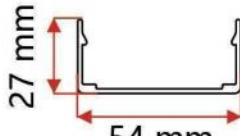


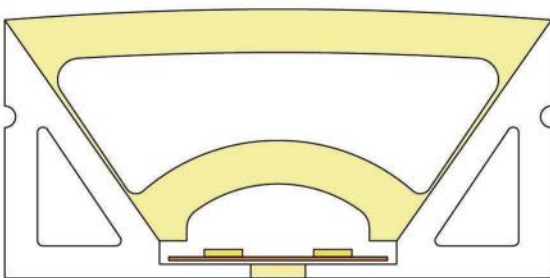
PCB Width(mm) 20

Weight(g/m) 860

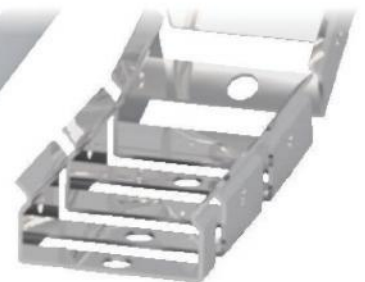
Section size(mm) 50*25

Beam angle 120°

Aluminum Profile size(mm) 



Lighting Dairction: Top Lighting
Cutting mark:Yes



End cap with hole

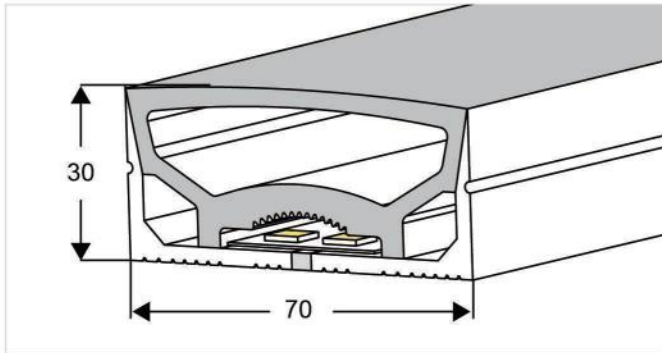
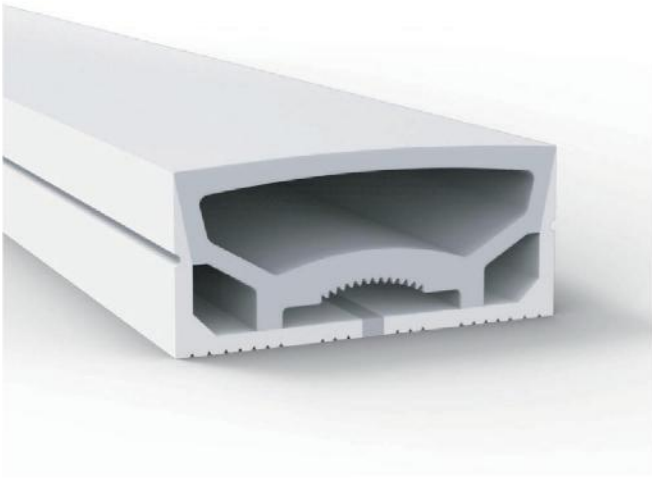
End cap no hole

Aluminum Clip

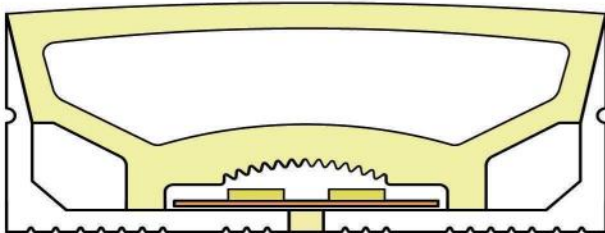
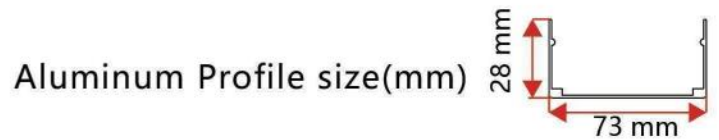
Aluminum Profile

Flexible Profile

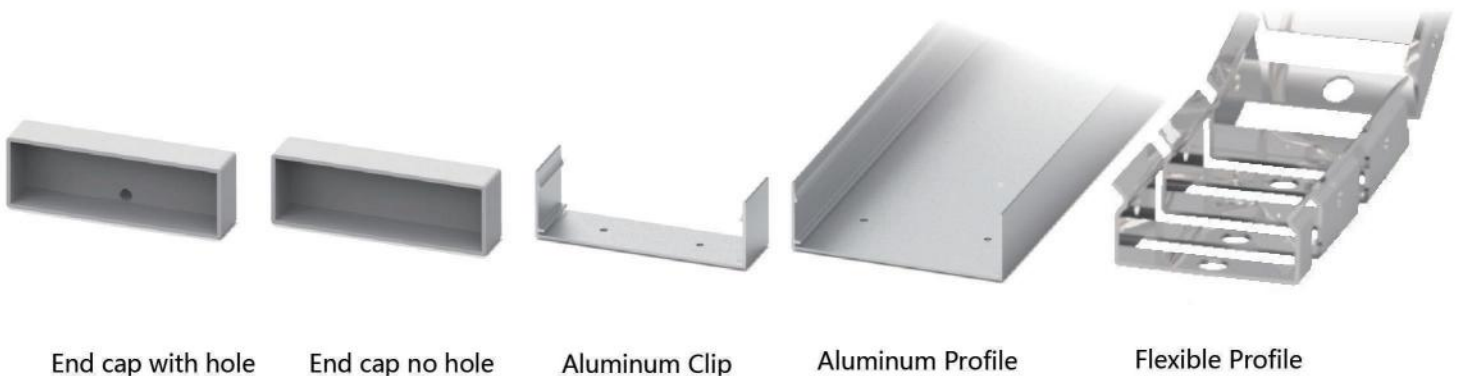
Top View S7030



PCB Width(mm)	30
Weight(g/m)	1339
Section size(mm)	70*30
Beam angle	120°



Lighting Dairction: Top Lighting
Cutting mark:Yes



End cap with hole

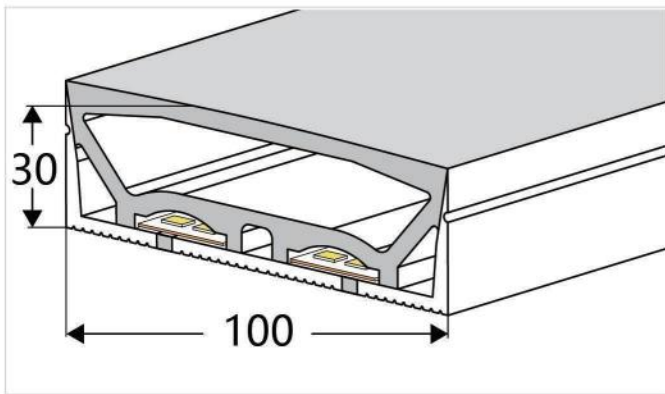
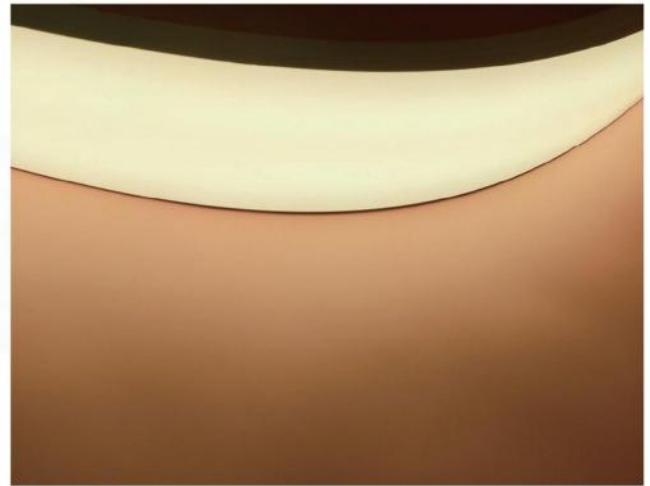
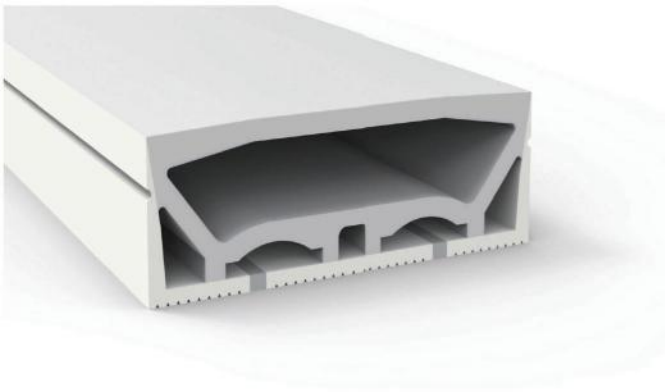
End cap no hole

Aluminum Clip

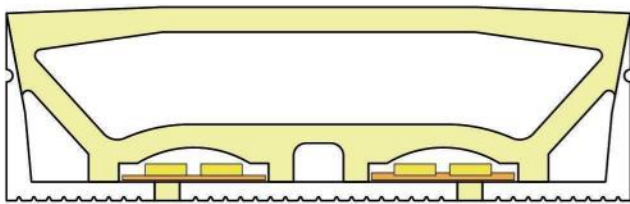
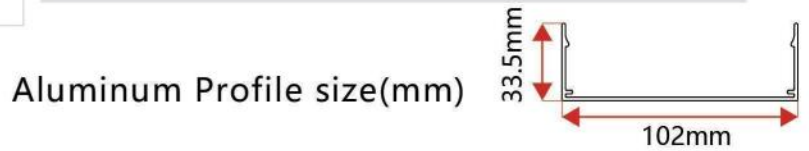
Aluminum Profile

Flexible Profile

Top View S10030



PCB Width(mm)	20x2
Weight(g/m)	1836
Section size(mm)	100*30
Beam angle	120°



Lighting Dairction: Top Lighting
Cutting mark:Yes



End cap with hole

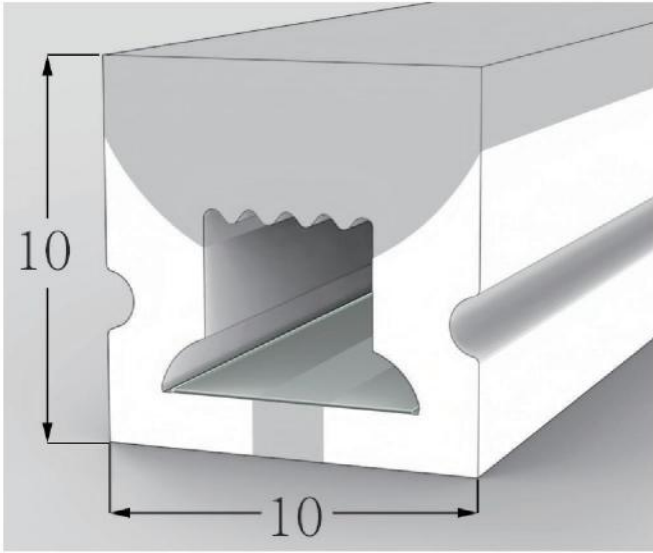
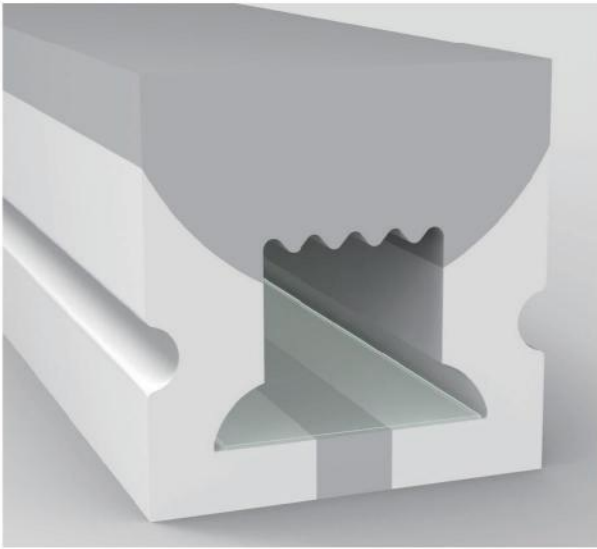
End cap no hole

Aluminum Clip

Aluminum Profile

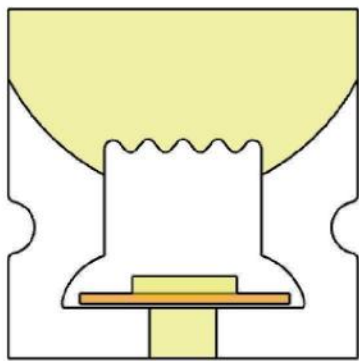
Flexible Profile

Top View With Anti Break Plate S1010B



PCB Width(mm)	5/6
Weight(g/m)	116
Section size(mm)	10*10
Beam angle	180°

Aluminum Profile size(mm) 



Lighting Direction: 3 sides Top Lighting
Cutting Mark Yes

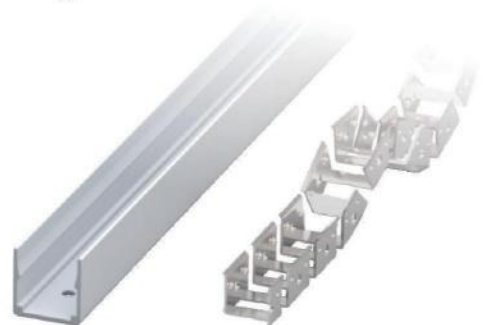


End cap with hole

End cap no hole



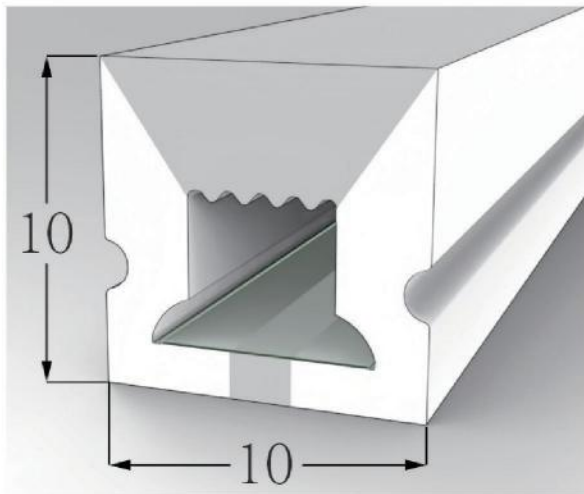
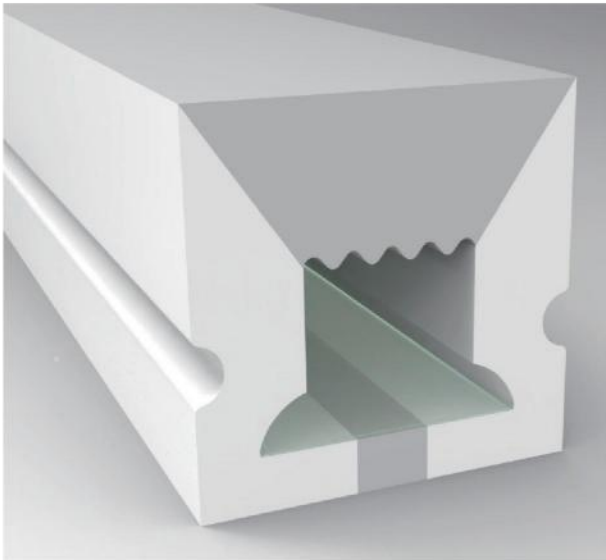
Aluminum Clip



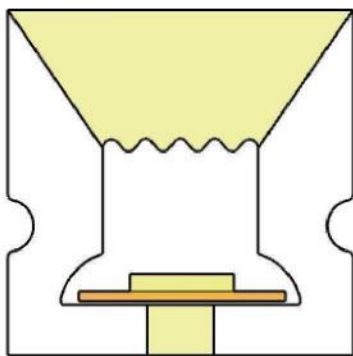
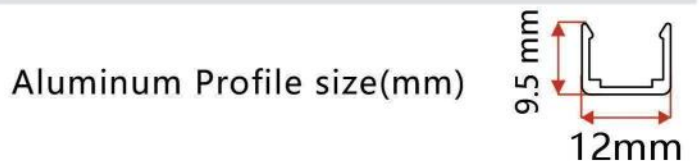
Aluminum Profile

Flexible Profile

Top View With Anti Break Plate S1010C



PCB Width(mm)	5/6
Weight(g/m)	112
Section size(mm)	10*10
Beam angle	120°



Lighting Direction: sides Lighting
Cutting Mark Yes



End cap with hole

End cap no hole



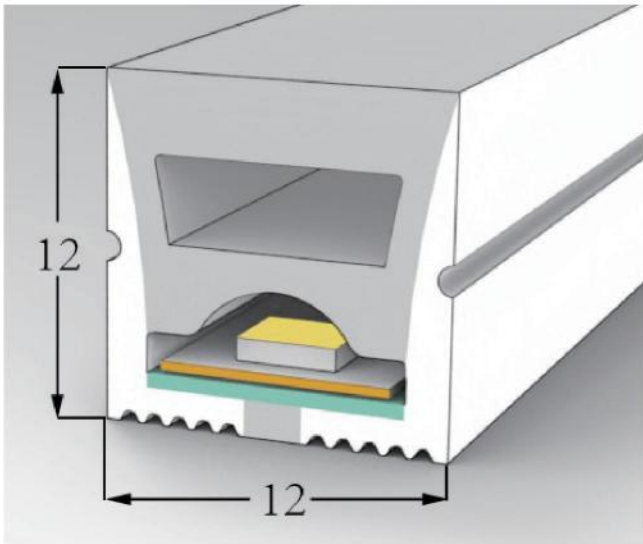
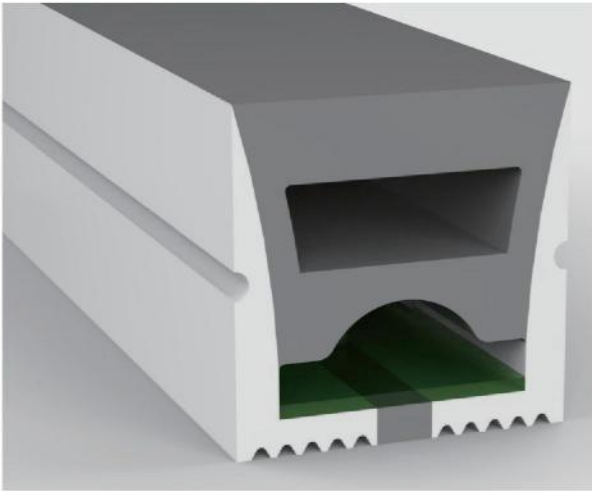
Aluminum Clip



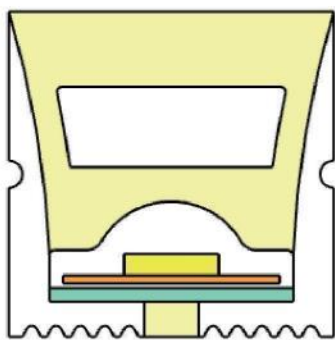
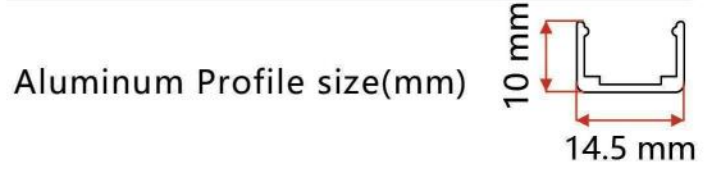
Aluminum Profile

Flexible Profile

Top View With Anti Break Plate S1212C



PCB Width(mm)	8
Weight(g/m)	138
Section size(mm)	12*12
Beam angle	120°



Lighting Dairction: Top Lighting
Cutting mark:Yes



End cap with hole

End cap no hole



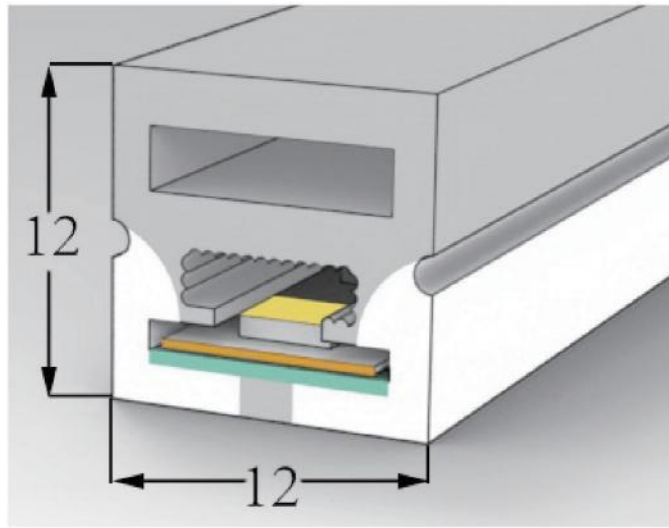
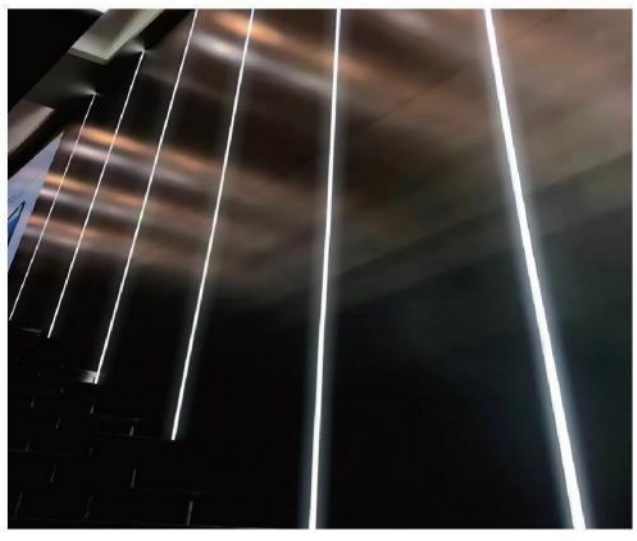
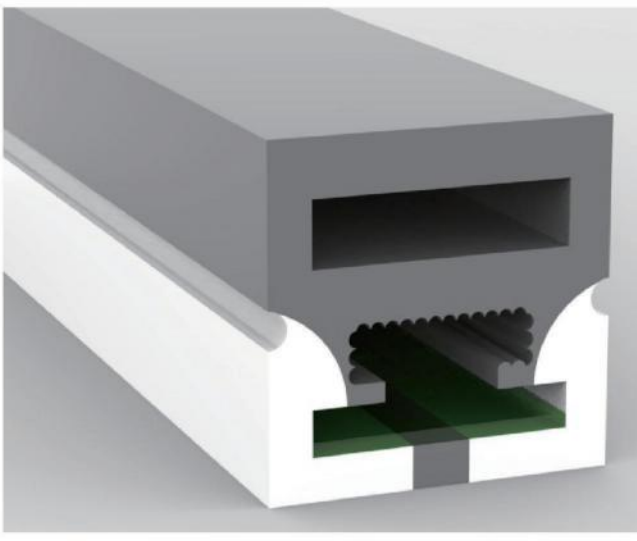
Aluminum Clip



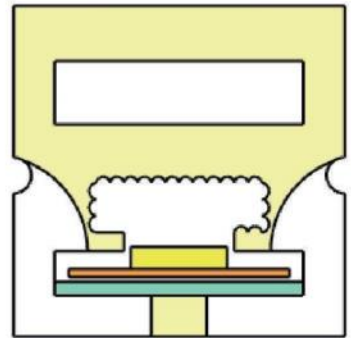
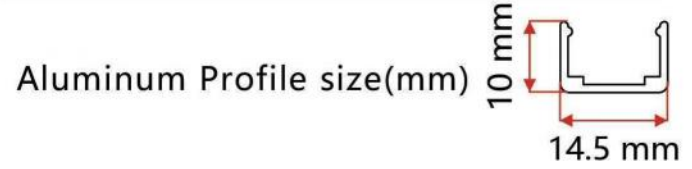
Aluminum Profile

Flexible Profile

Top View With Anti Break Plate S1212D



PCB Width(mm)	8
Weight(g/m)	125
Section size(mm)	12*12
Beam angle	180°



Lighting Direction: 3 sides Top Lighting
Cutting mark: Yes

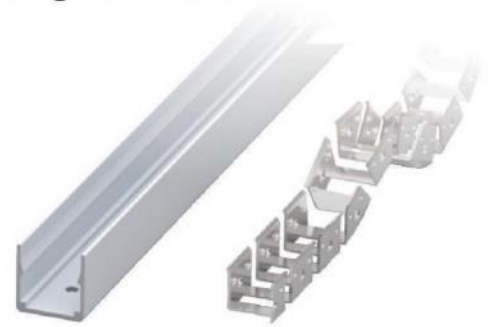


End cap with hole

End cap no hole



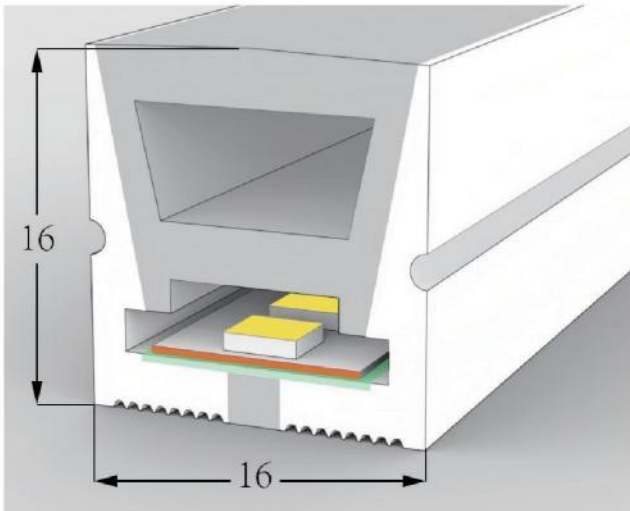
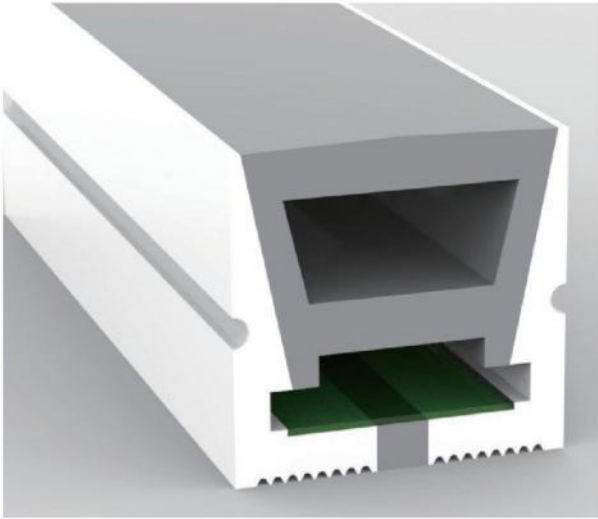
Aluminum Clip



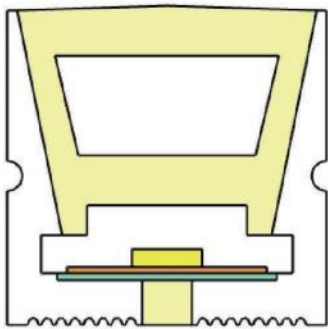
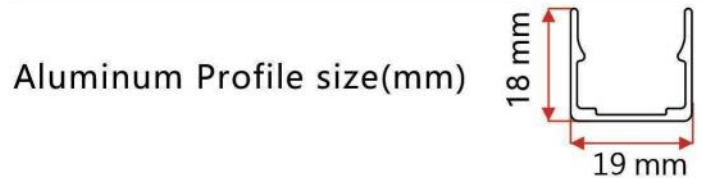
Aluminum Profile

Flexible Profile

Top View With Anti Break Plate S1616C



PCB Width(mm)	10/12
Weight(g/m)	238
Section size(mm)	16*16
Beam angle	120°



Lighting Direction: Top Lighting
Cutting mark: Yes

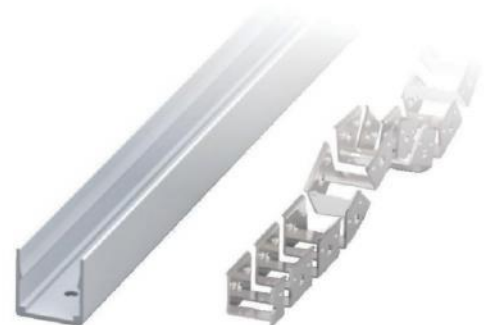


End cap with hole

End cap no hole



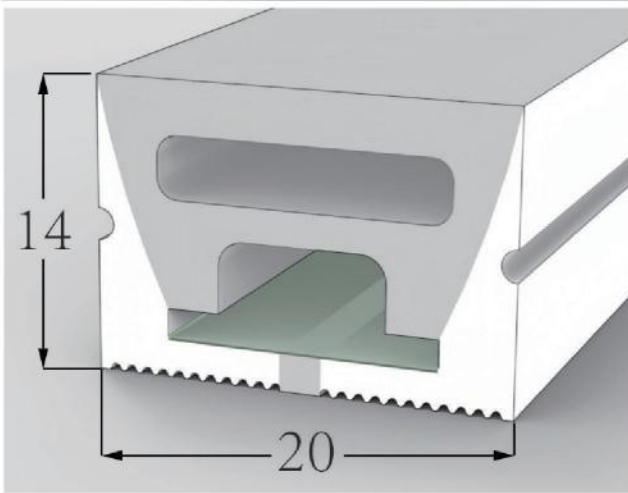
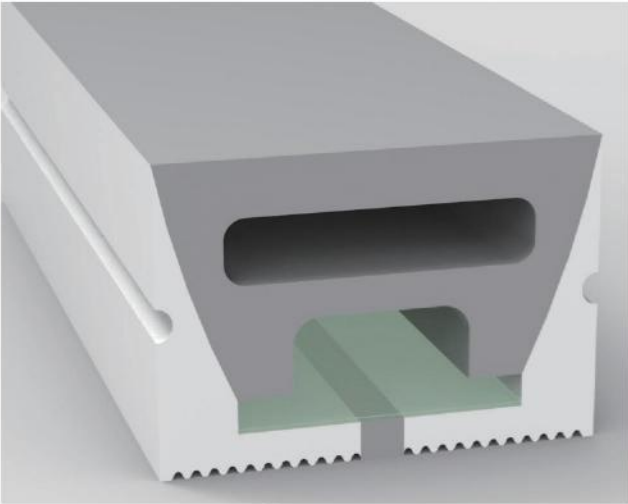
Aluminum Clip

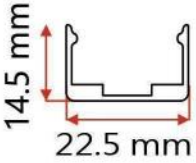


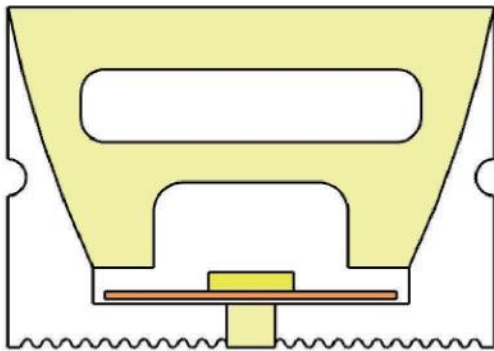
Aluminum Profile

Flexible Profile

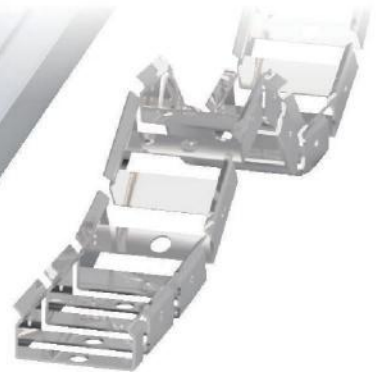
Top View With Anti Break Plate S2014C



PCB Width(mm)	10/12
Weight(g/m)	255
Section size(mm)	20*14
Beam angle	180°
Aluminum Profile size(mm)	



Lighting Direction: Top Lighting
Cutting mark: Yes



End cap with hole

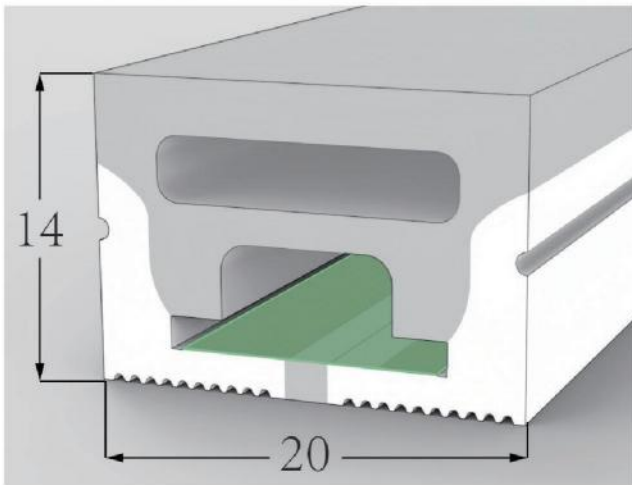
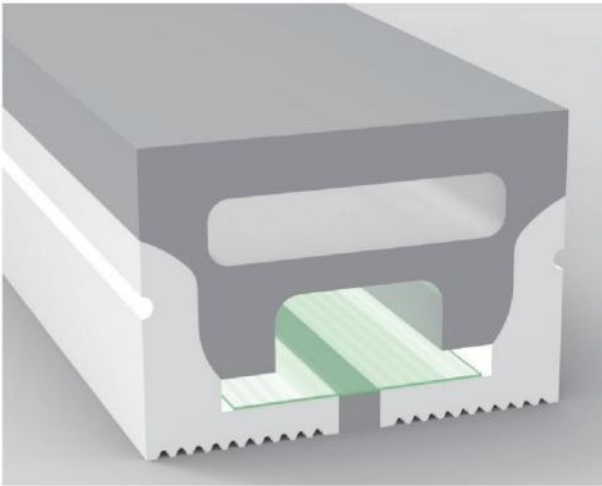
End cap no hole

Aluminum Clip

Aluminum Profile

Flexible Profile

Top View With Anti Break Plate S2014D



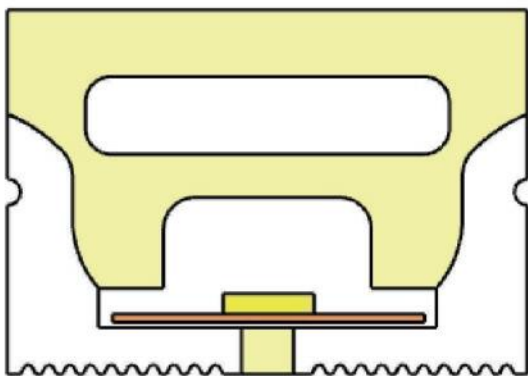
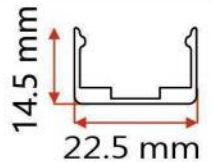
PCB Width(mm) 10/12

Weight(g/m) 251

Section size(mm) 20*14

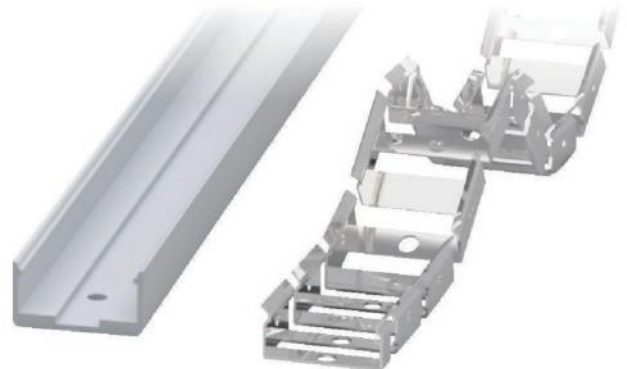
Beam angle 180°

Aluminum Profile size(mm)



Lighting Direction: 3 sides Top Lighting

Cutting mark: Yes



End cap with hole

End cap no hole

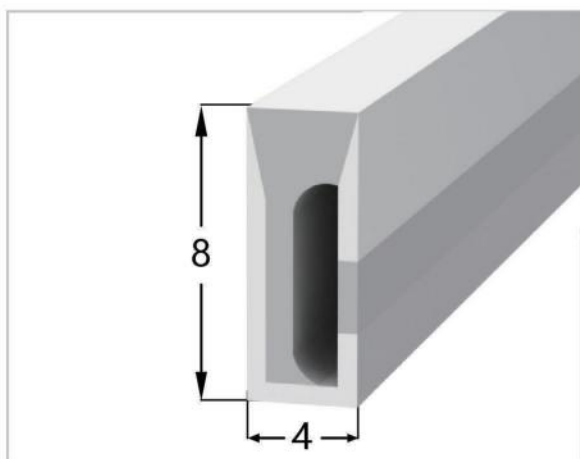
Aluminum Clip

Aluminum Profile

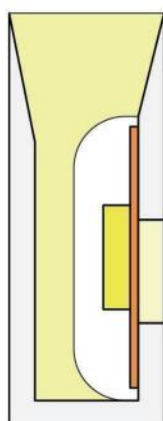
Flexible Profile

SIDE VIEW SERIES

Side View S0408



PCB Width(mm)	5
Weight(g/m)	30
Section size(mm)	4*8
Beam angle	120°



Lighting Direction: Side Lighting
Cutting mark:Yes

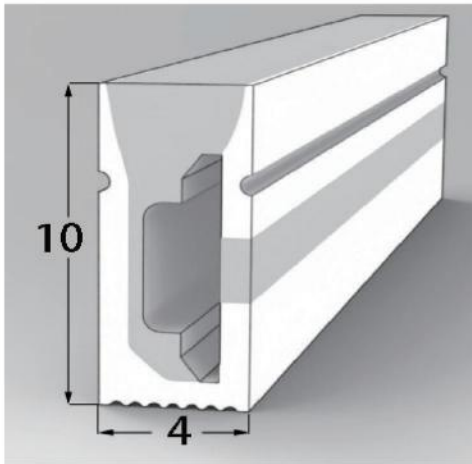
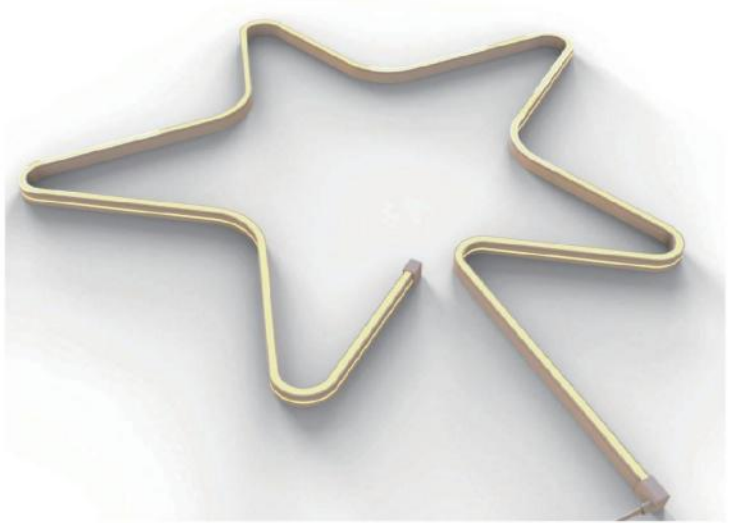
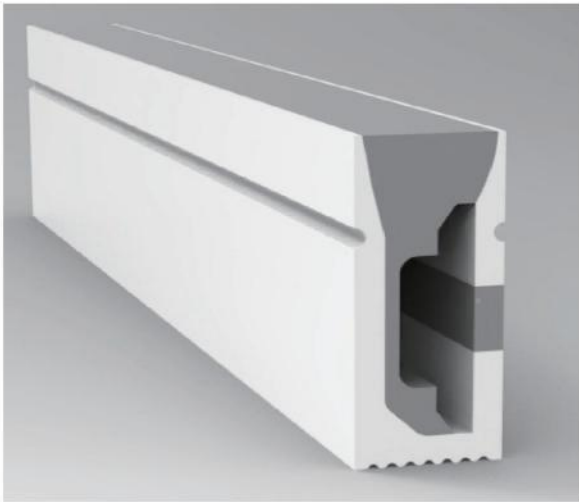


End cap with hole

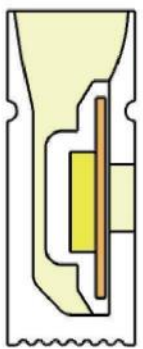
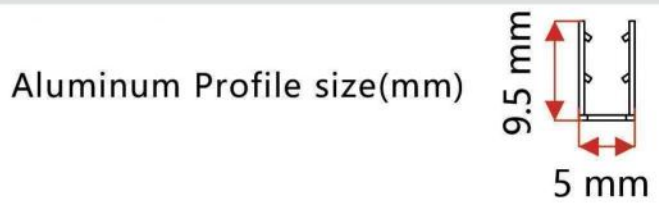


End cap no hole

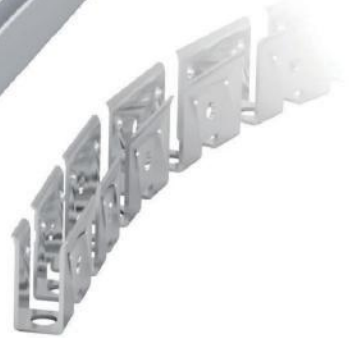
Side View S0410



PCB Width (mm)	5/6
Weight (g/m)	47
Section size (mm)	4*10
Beam angle	120°



Lighting Direction: Side Lighting
Cutting mark: Yes



End cap with hole

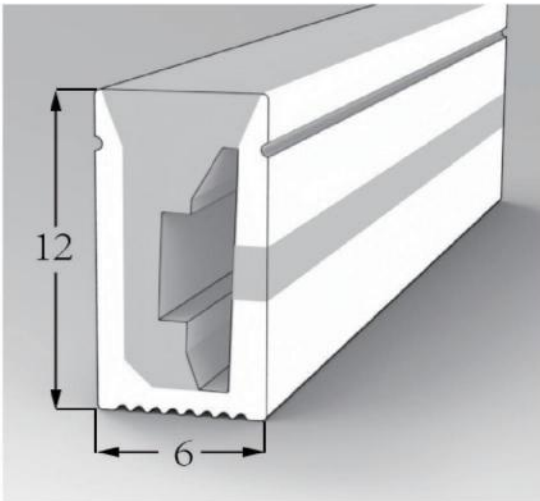
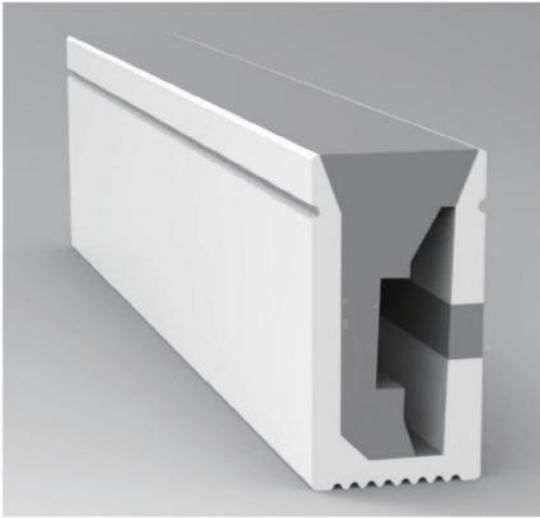
End cap no hole

Aluminum Clip

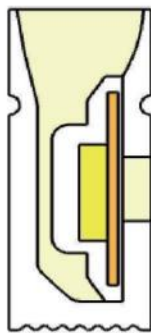
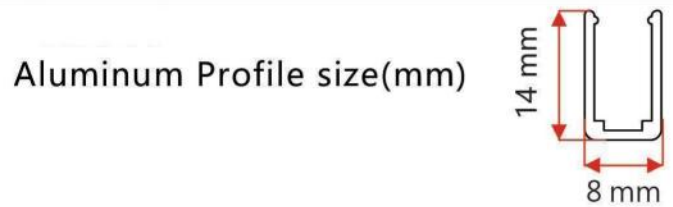
Aluminum Profile

Flexible Profile

Side View S0612



PCB Width (mm)	8
Weight (g/m)	75
Section size (mm)	6*12
Beam angle	120°



Lighting Direction: Side Lighting
Cutting mark: Yes



End cap with hole

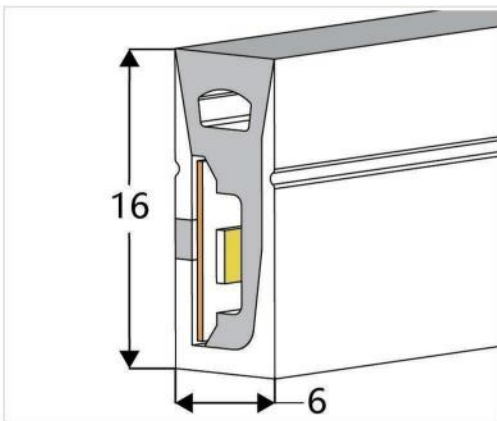
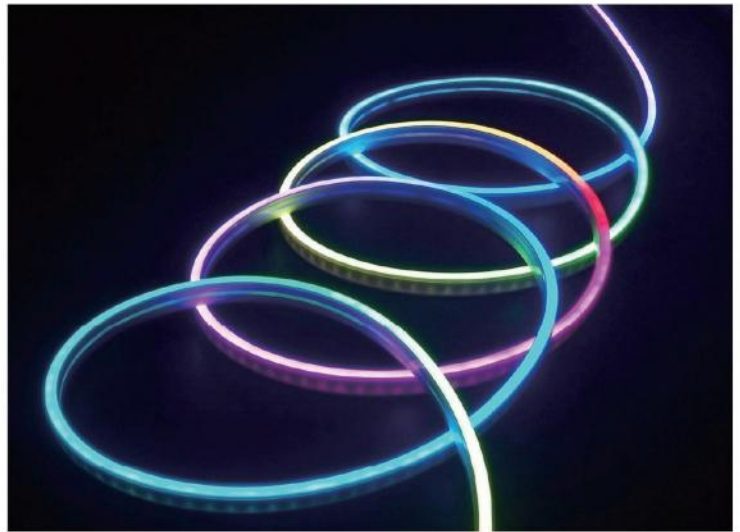
End cap no hole

Aluminum Clip

Aluminum Profile

Flexible Profile

Side View S0616



PCB Width(mm)

8

Weight(g/m)

89

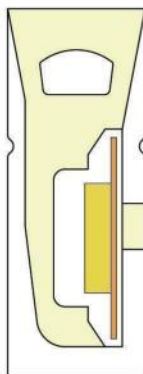
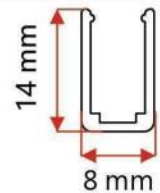
Section size(mm)

6*16

Beam angle

120°

Aluminum Profile size(mm)



Lighting Direction: Side Lighting
Cutting mark: Yes



End cap with hole

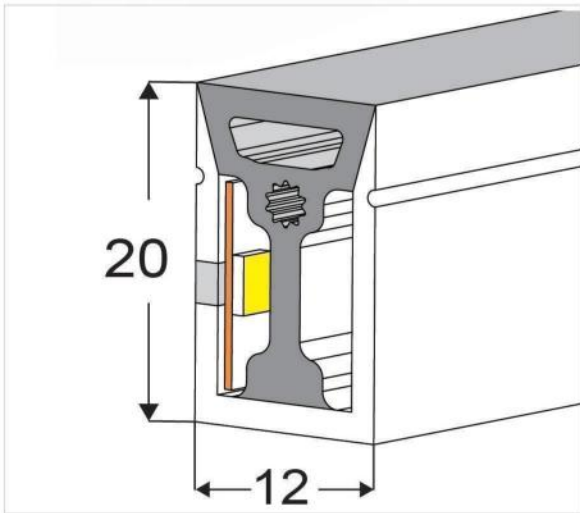
End cap no hole

Aluminum Clip

Aluminum Profile

Flexible Profile

Side View S1220A



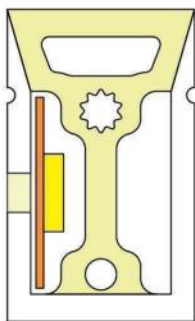
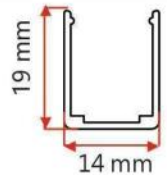
PCB Width(mm) 10

Weight(g/m) 195

Section size(mm) 12*20

Beam angle 120°

Aluminum Profile size(mm)



Lighting Dairction: Side Lighting
Cutting mark:Yes



End cap with hole

End cap no hole



Aluminum Clip

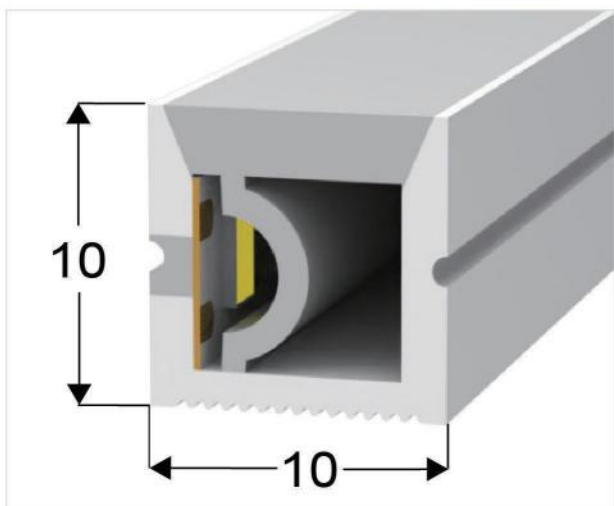
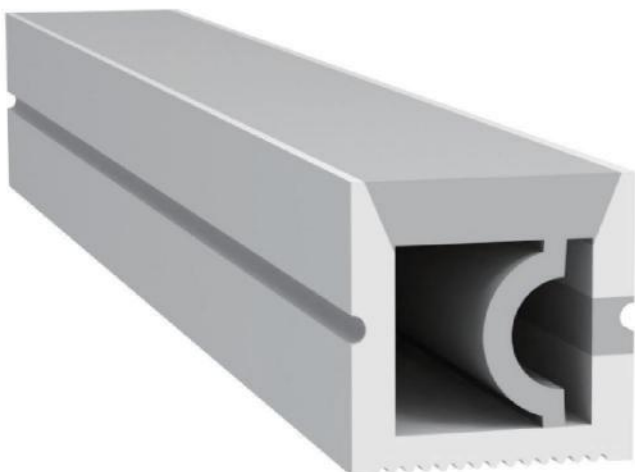


Aluminum Profile

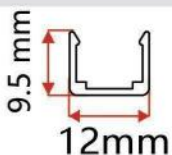


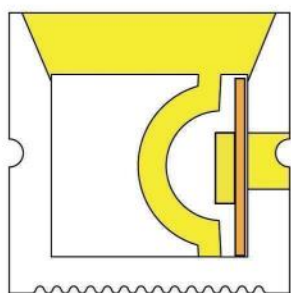
Flexible Profile

Side View S1010



PCB Width(mm)	6
Weight(g/m)	84
Section size(mm)	10*10
Beam angle	120°

Aluminum Profile size(mm) 



Lighting Direction: Side Lighting

Cutting mark: Yes

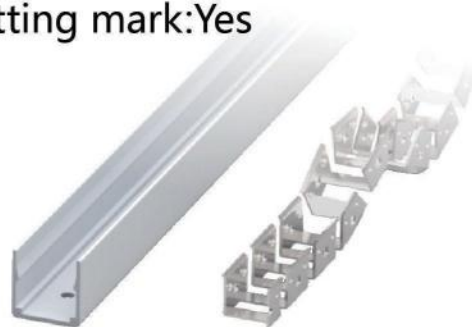


End cap with hole

End cap no hole



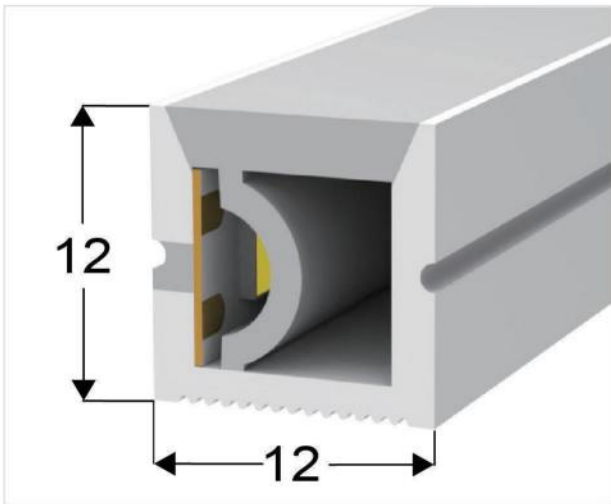
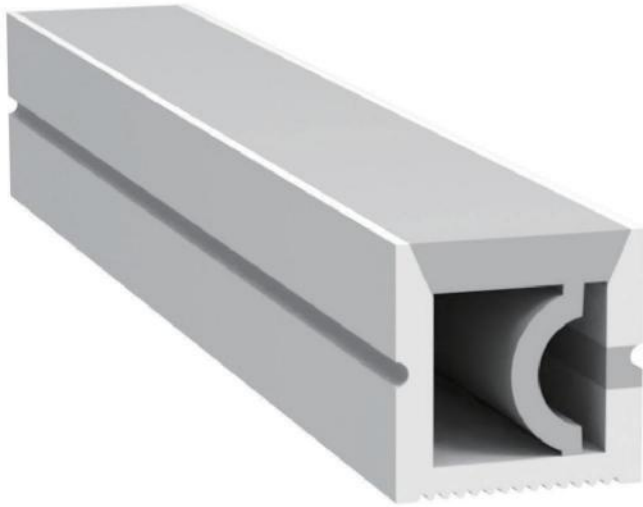
Aluminum Clip



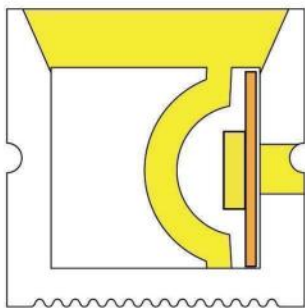
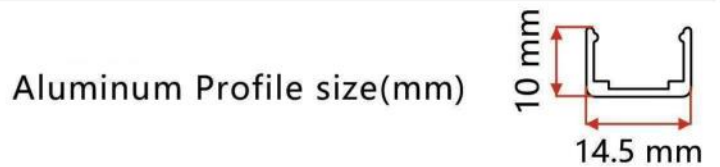
Aluminum Profile

Flexible Profile

Side View S1212A



PCB Width(mm)	6
Weight(g/m)	110
Section size(mm)	12*12
Beam angle	120°



Lighting Direction: Side Lighting

Cutting mark:Yes



End cap with hole

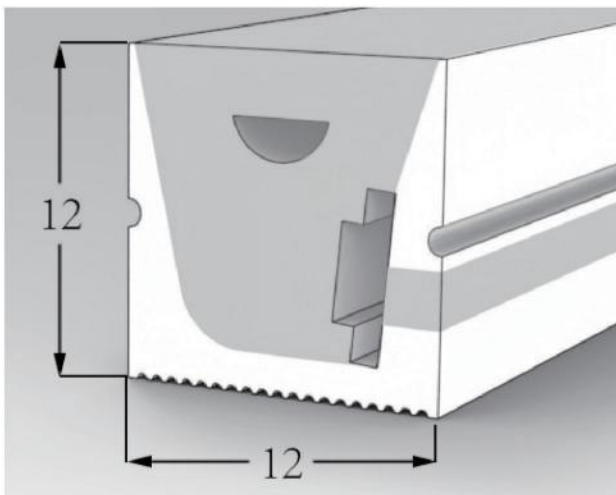
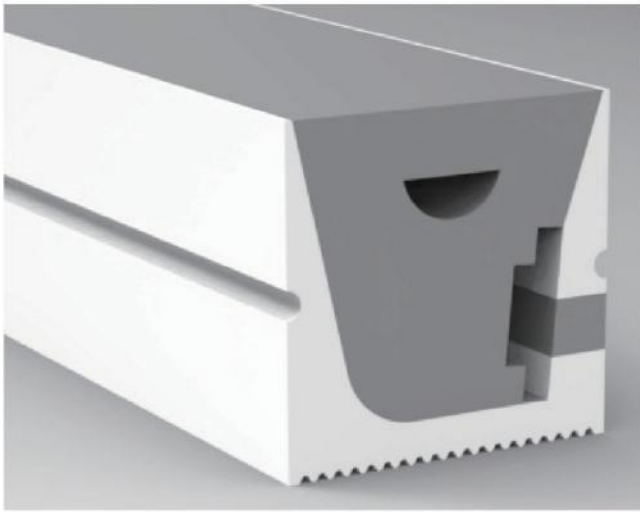
End cap no hole

Aluminum Clip

Aluminum Profile

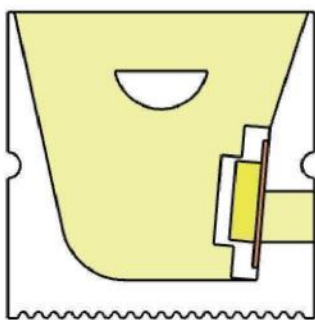
Flexible Profile

Side View S1212B



PCB Width(mm)	5
Weight(g/m)	166
Section size(mm)	12*12
Beam angle	120°

Aluminum Profile size(mm) 



Lighting Dairction: Side Lighting
Cutting mark:Yes



End cap with hole

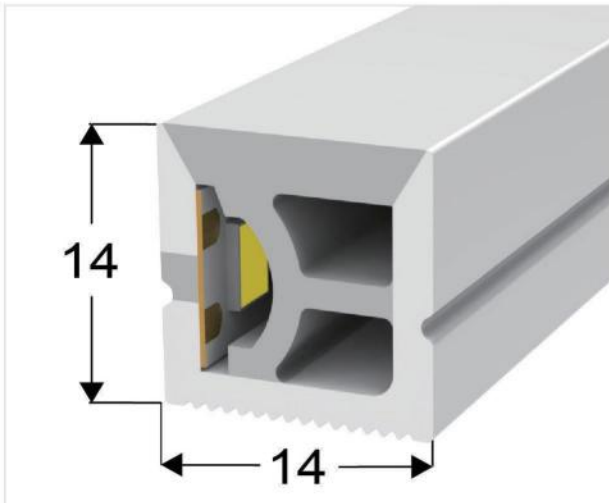
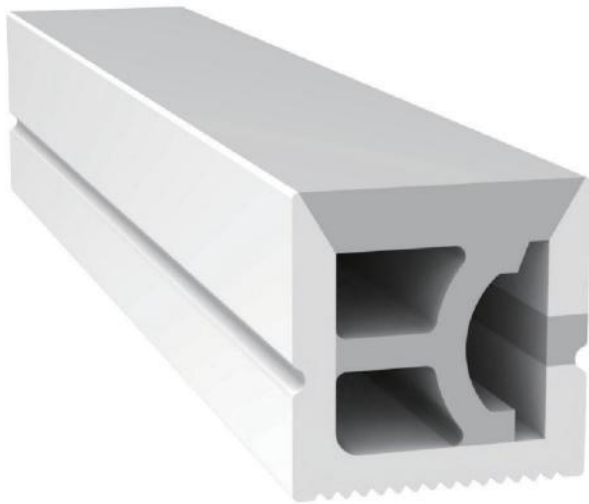
End cap no hole

Aluminum Clip

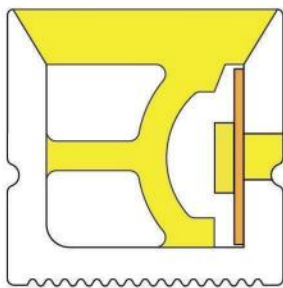
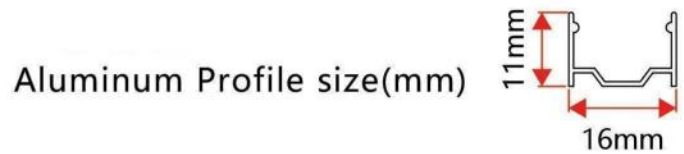
Aluminum Profile

Flexible Profile

Side View S1414



PCB Width(mm)	8
Weight(g/m)	163
Section size(mm)	14*14
Beam angle	120°



Lighting Direction: Side Lighting

Cutting mark:Yes



End cap with hole

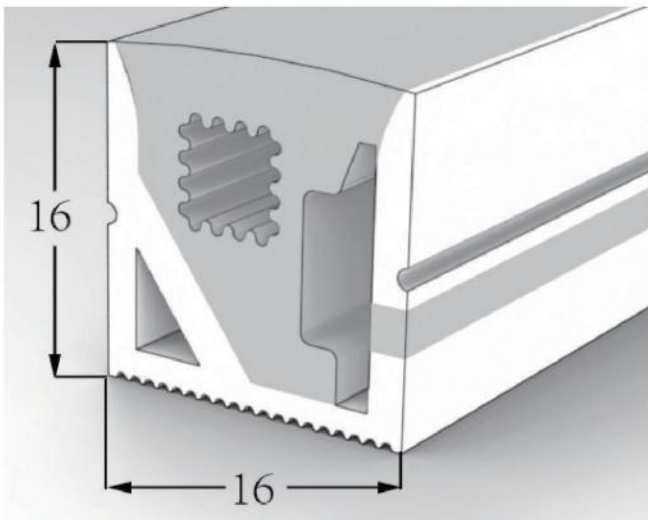
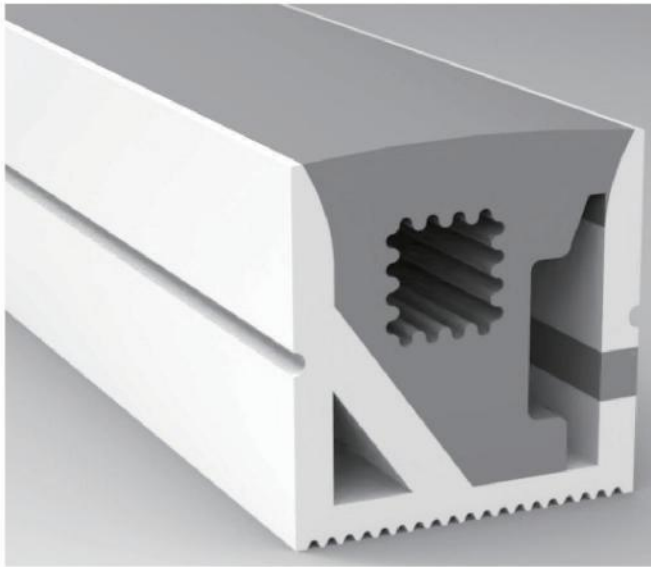
End cap no hole

Aluminum Clip

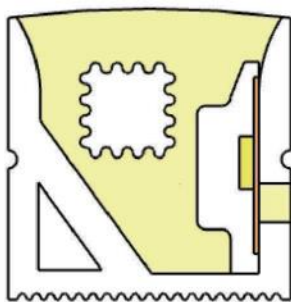
Aluminum Profile

Flexible Profile

Side View S1616A



PCB Width(mm)	10
Weight(g/m)	259
Section size(mm)	16*16
Beam angle	120°



Lighting Dairction: Side Lighting
Cutting mark:Yes



End cap with hole

End cap no hole



Aluminum Clip

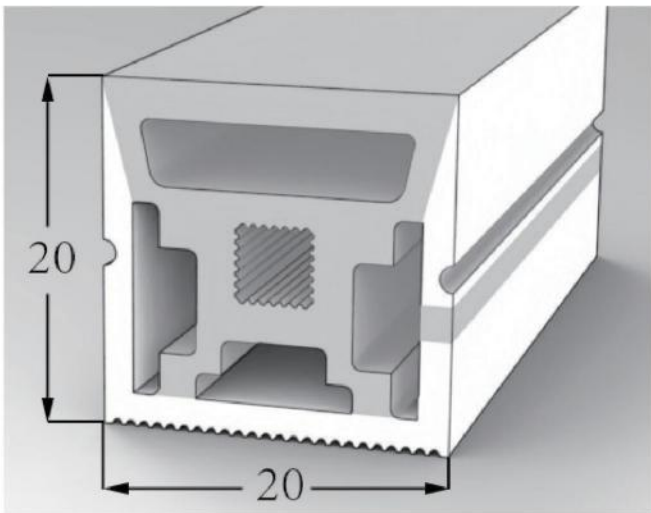
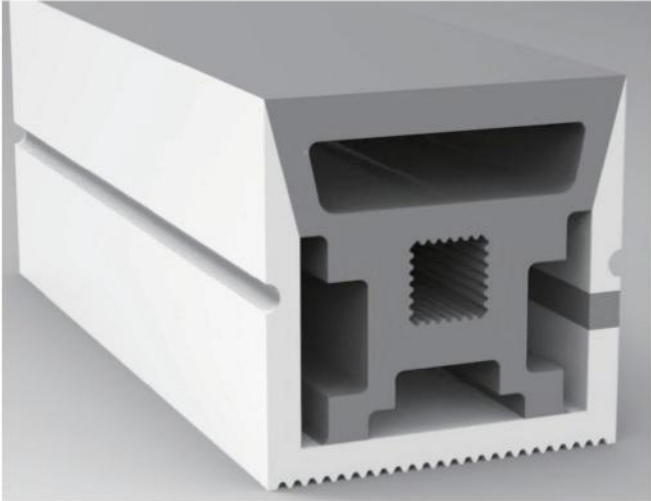


Aluminum Profile



Flexible Profile

Side View S2020



PCB Width(mm) Top View8 /Side View10

Weight(g/m)

297

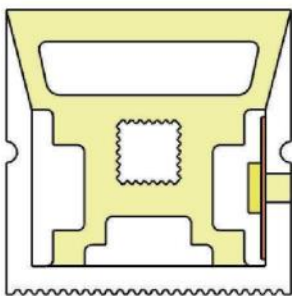
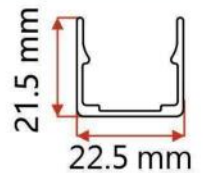
Section size(mm)

20*20

Beam angle

120°

Aluminum Profile size(mm)



Lighting Direction: Top Lighting/
Side Lighting
Cutting mark:Yes



End cap with hole

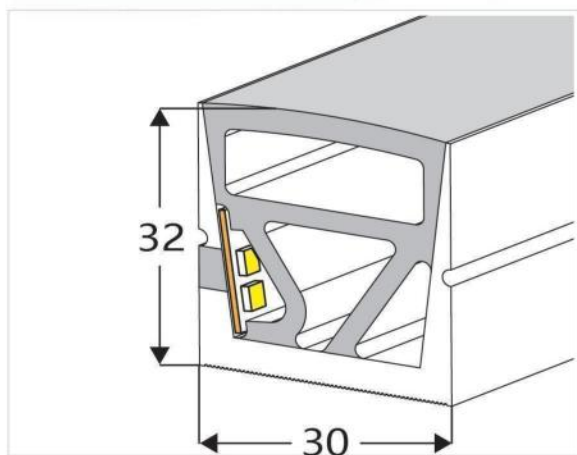
End cap no hole

Aluminum Clip

Aluminum Profile

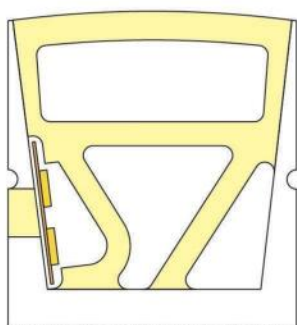
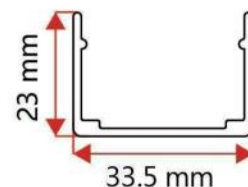
Flexible Profile

Side View S3032



PCB Width(mm)	12/15
Weight(g/m)	644
Section size(mm)	30*32
Beam angle	120°

Aluminum Profile size(mm)



Lighting Direction: Side Lighting
Cutting mark:Yes



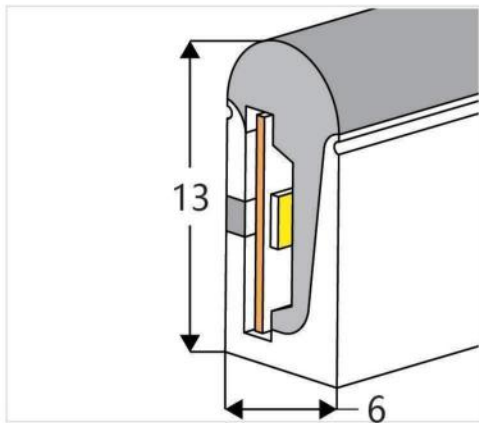
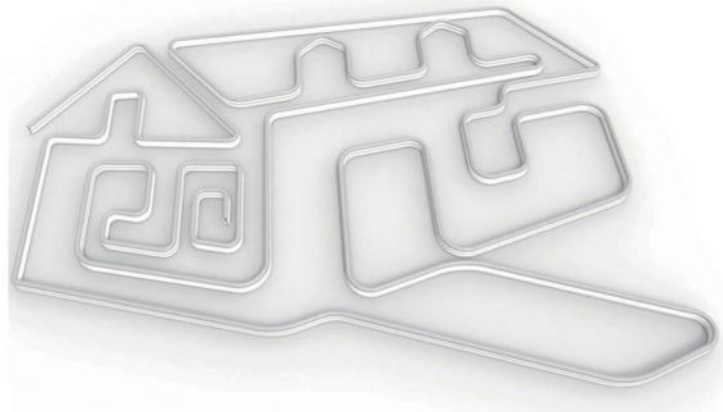
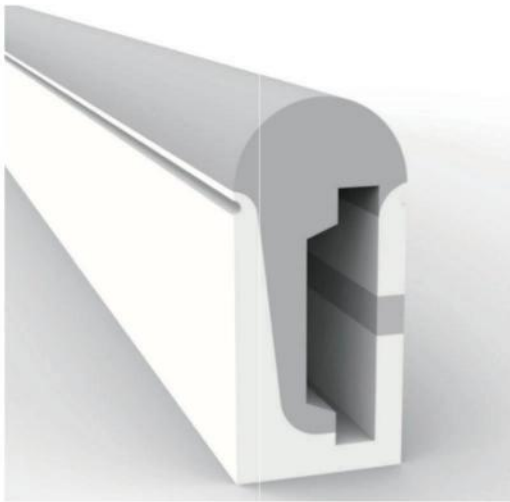
End cap with hole

End cap no hole

Aluminum Profile

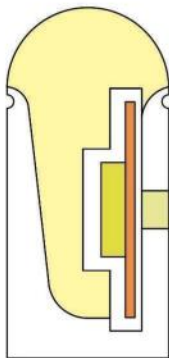
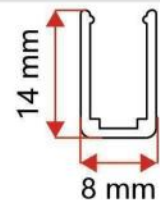
Flexible Profile

Side View S0613



PCB Width(mm)	8
Weight(g/m)	79
Section size(mm)	6*13
Beam angle	180°

Aluminum Profile size(mm)



Lighting Direction: Side Lighting
Cutting mark: Yes



End cap with hole

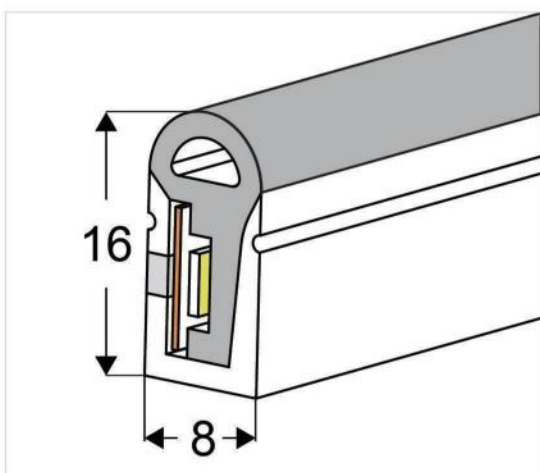
End cap no hole

Aluminum Clip

Aluminum Profile

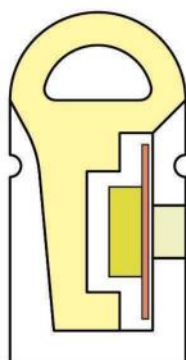
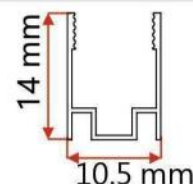
Flexible Profile

Side View S0816



PCB Width(mm)	8
Weight(g/m)	112
Section size(mm)	8*16
Beam angle	180°

Aluminum Profile size(mm)



Lighting Direction: Side Lighting
Cutting mark: Yes



End cap with hole



End cap no hole



Aluminum Clip

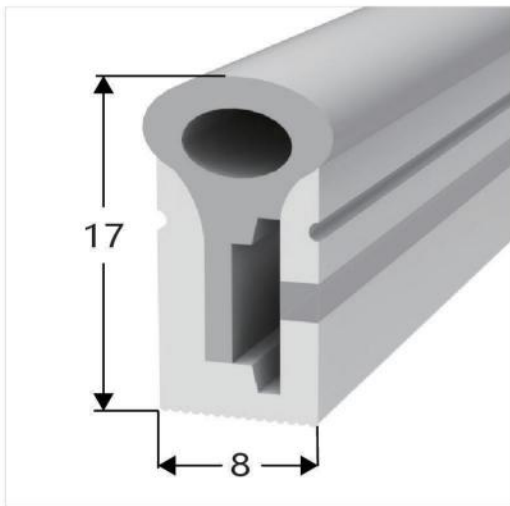


Aluminum Profile



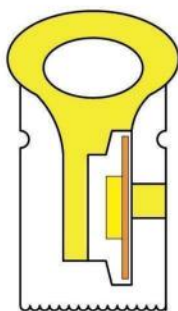
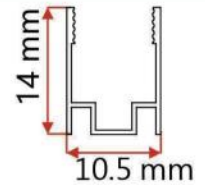
Flexible Profile

Side View S0817



PCB Width(mm)	8
Weight(g/m)	131
Section size(mm)	8*17
Beam angle	270°

Aluminum Profile size(mm)



Lighting Direction: Side Lighting
Cutting mark: Yes



End cap with hole

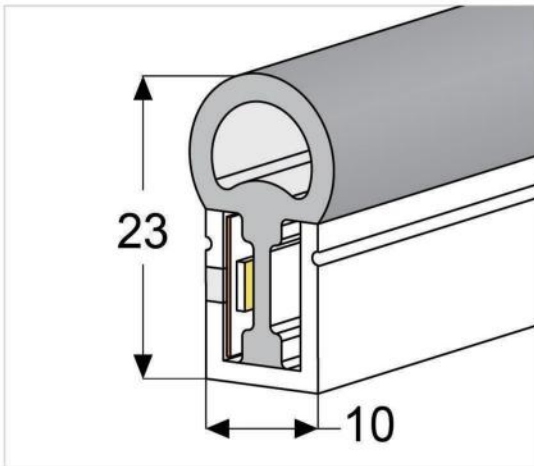
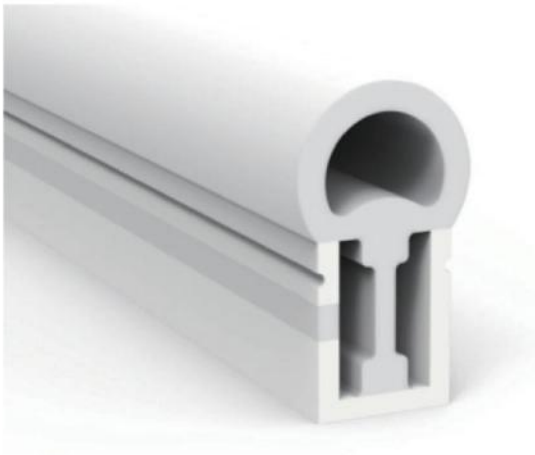
End cap no hole

Aluminum Clip

Aluminum Profile

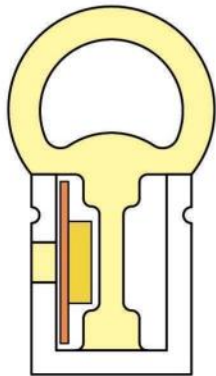
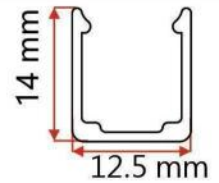
Flexible Profile

Side View S1023A



PCB Width(mm)	10
Weight(g/m)	196
Section size(mm)	10*23
Beam angle	270°

Aluminum Profile size(mm)



Lighting Direction: Side Lighting
Cutting mark: Yes



End cap with hole



End cap no hole



Aluminum Clip

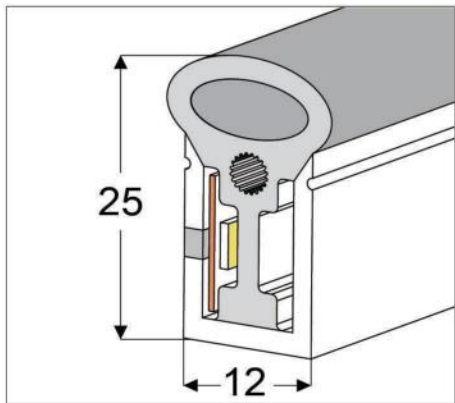
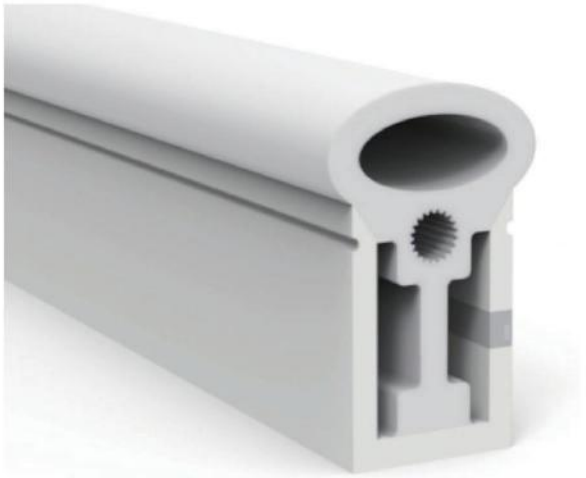


Aluminum Profile

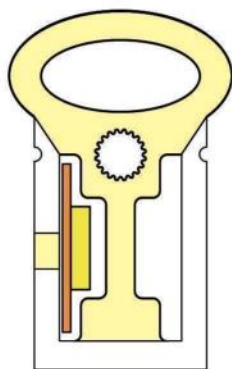


Flexible Profile

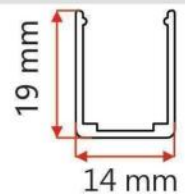
Side View S1225A



PCB Width(mm)	10
Weight(g/m)	243
Section size(mm)	12*25
Beam angle	270°



Aluminum Profile size(mm)



Lighting Direction: Side Lighting
Cutting mark:Yes



End cap with hole



End cap no hole



Aluminum Clip

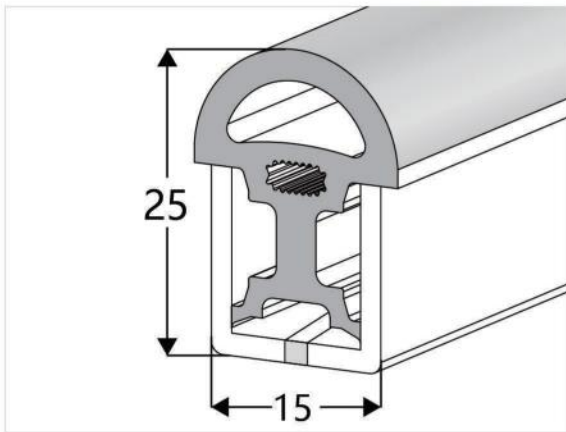
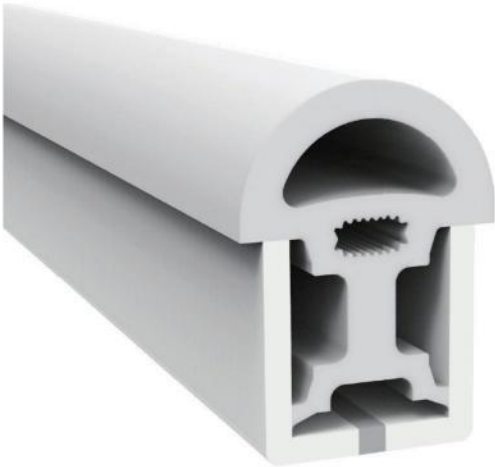


Aluminum Profile

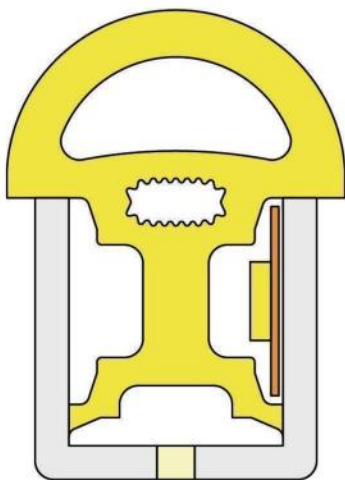


Flexible Profile

Side View S1525



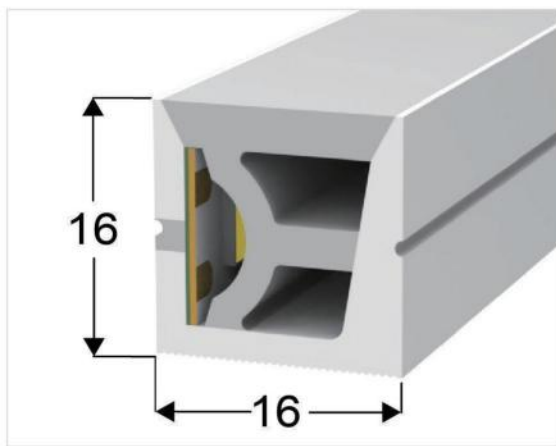
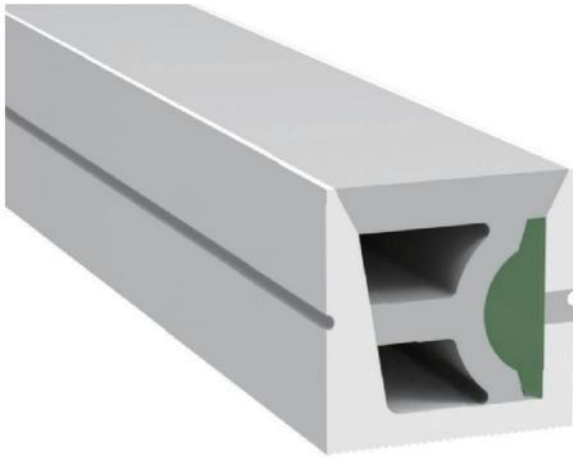
PCB Width(mm)	10
Weight(g/m)	320
Section size(mm)	15*25
Beam angle	180°



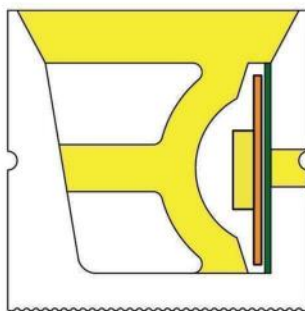
Lighting Direction: 3 sides Top Lighting

Cutting mark:Yes

Side View S1616B



PCB Width(mm)	10
Weight(g/m)	241
Section size(mm)	16*16
Beam angle	120°



Lighting Direction: Side Lighting
Cutting mark:Yes



End cap with hole

End cap no hole



Aluminum Clip

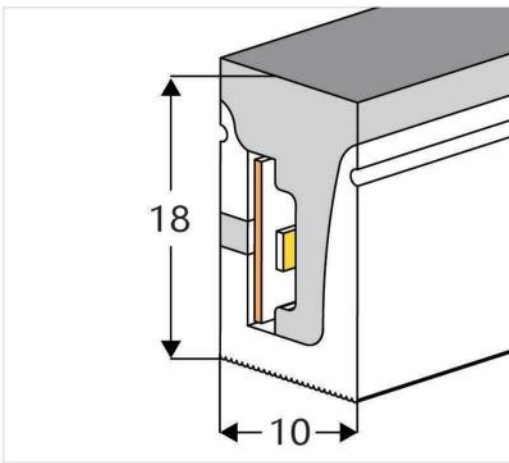
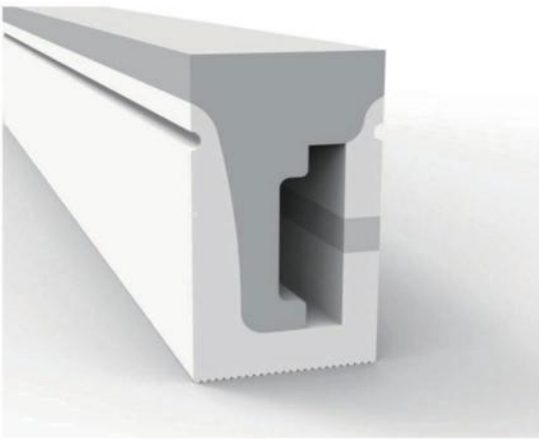


Aluminum Profile



Flexible Profile

Side View S1018



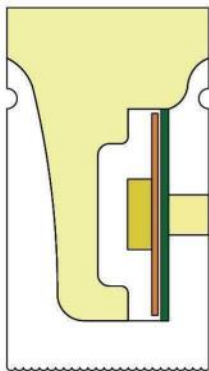
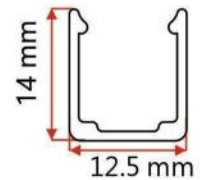
PCB Width(mm) 10

Weight(g/m) 195

Section size(mm) 10*18

Beam angle 180°

Aluminum Profile size(mm)



Lighting Direction: 3 sides Top Lighting

Cutting mark:Yes



End cap with hole

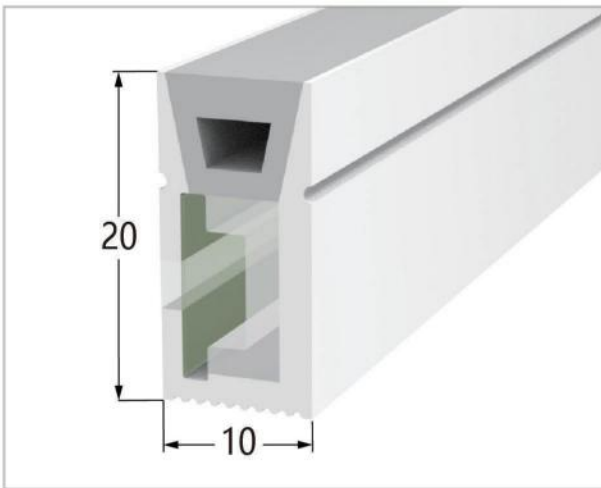
End cap no hole

Aluminum Clip

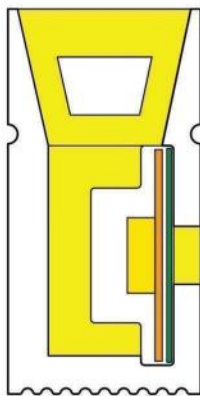
Aluminum Profile

Flexible Profile

Side View S1020



PCB Width(mm)	10
Weight(g/m)	213
Section size(mm)	10*20
Beam angle	120°



Lighting Direction: Side Lighting
Cutting mark:Yes

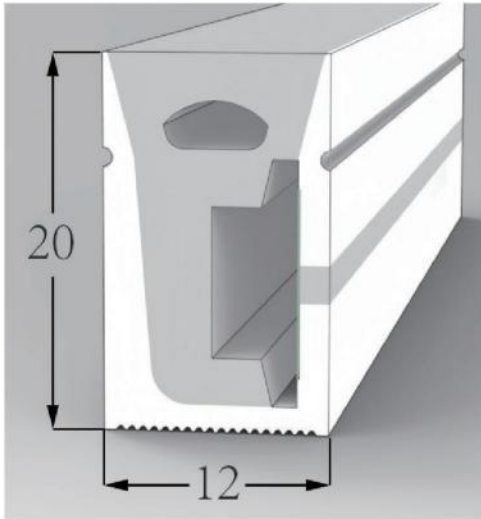
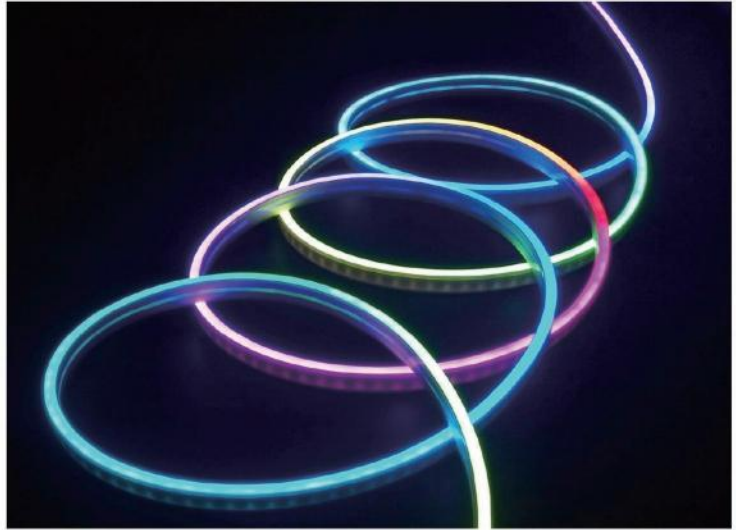
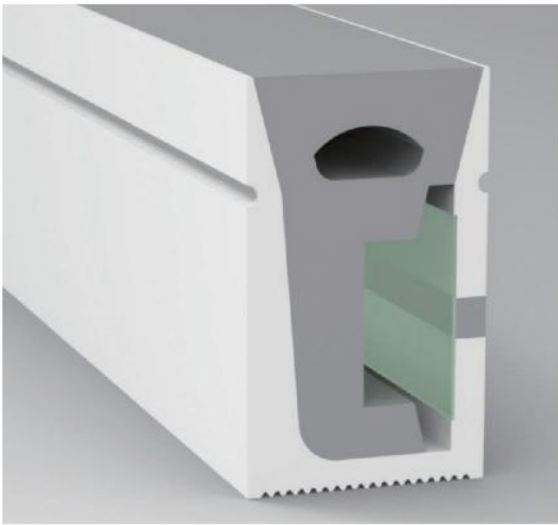


End cap with hole



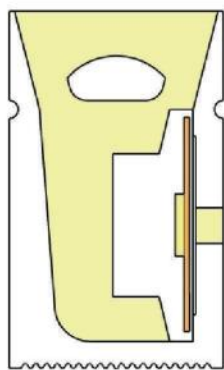
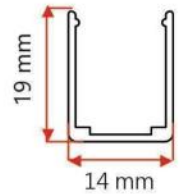
End cap no hole

Side View S1220B



PCB Width(mm)	12
Weight(g/m)	248
Section size(mm)	12*20
Beam angle	120°

Aluminum Profile size(mm)



Lighting Direction: Side Lighting
Cutting mark:Yes



End cap with hole

End cap no hole



Aluminum Clip

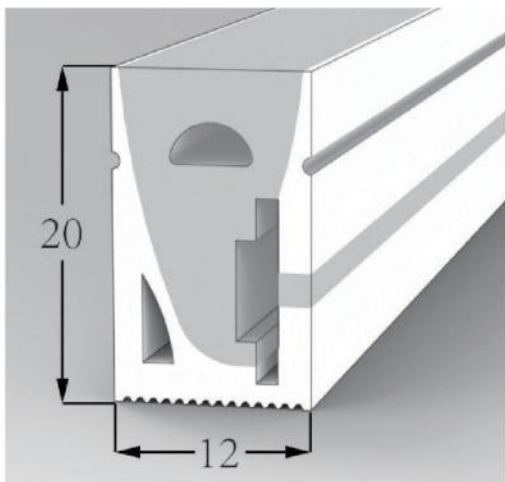


Aluminum Profile

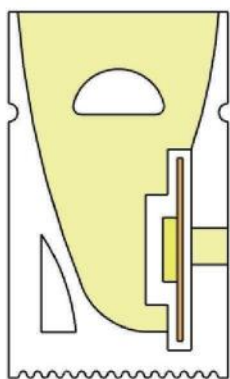


Flexible Profile

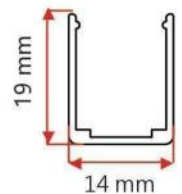
Side View S1220C



PCB Width(mm)	10
Weight(g/m)	248
Section size(mm)	12*20
Beam angle	120°



Aluminum Profile size(mm)



Lighting Dairction: Side Lighting

Cutting mark:Yes



End cap with hole

End cap no hole



Aluminum Clip

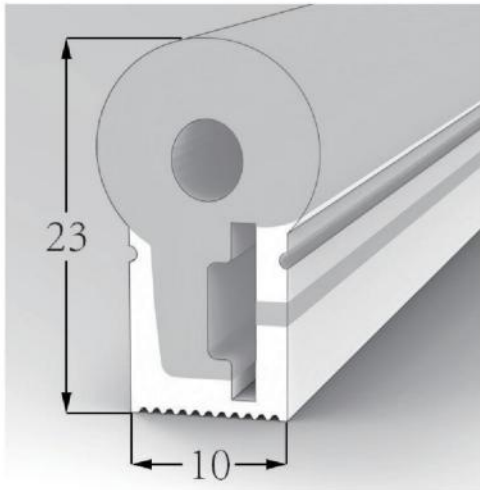
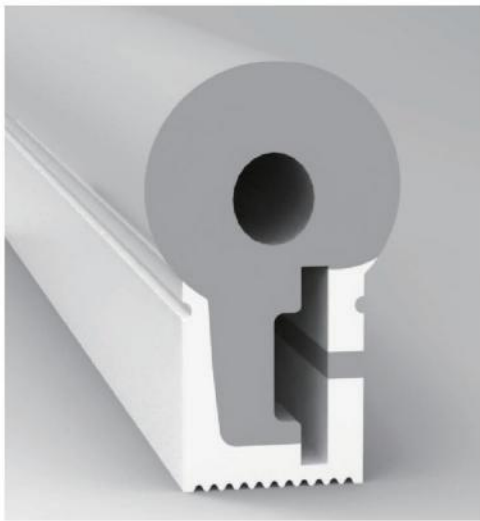


Aluminum Profile



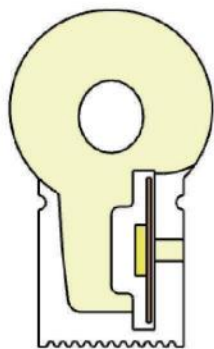
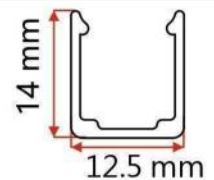
Flexible Profile

Side View S1023B



PCB Width(mm)	10
Weight(g/m)	272
Section size(mm)	10*23
Beam angle	270°

Aluminum Profile size(mm)



Lighting Direction: Side Lighting
Cutting mark:Yes



End cap with hole



End cap no hole



Aluminum Clip

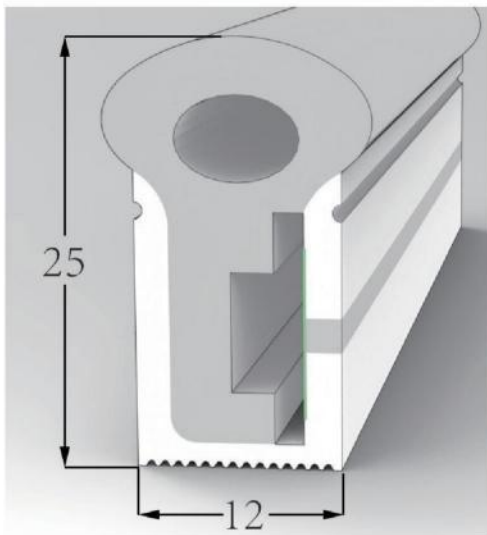
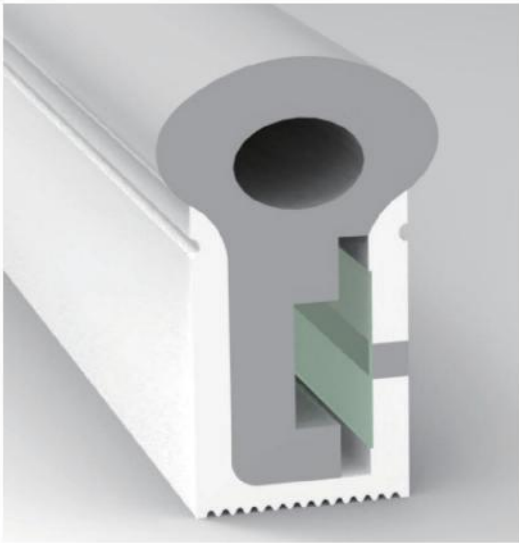


Aluminum Profile

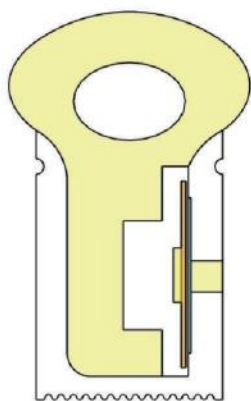
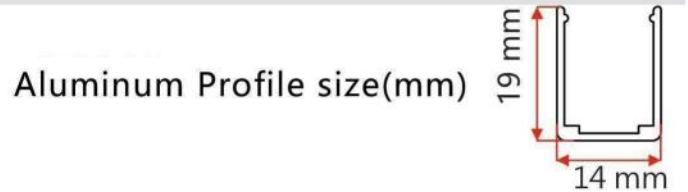


Flexible Profile

Side View S1225B



PCB Width(mm)	12
Weight(g/m)	335
Section size(mm)	12*25
Beam angle	270°



Lighting Direction: Side Lighting
Cutting mark: Yes



End cap with hole



End cap no hole



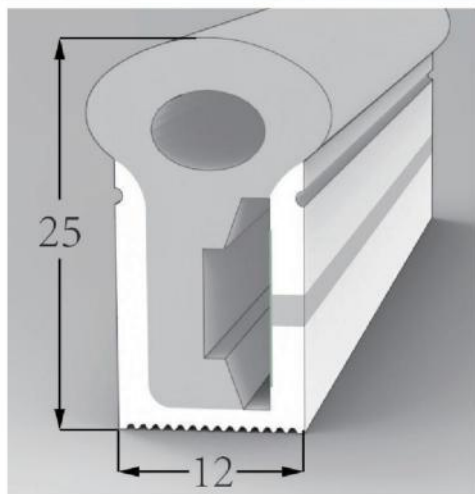
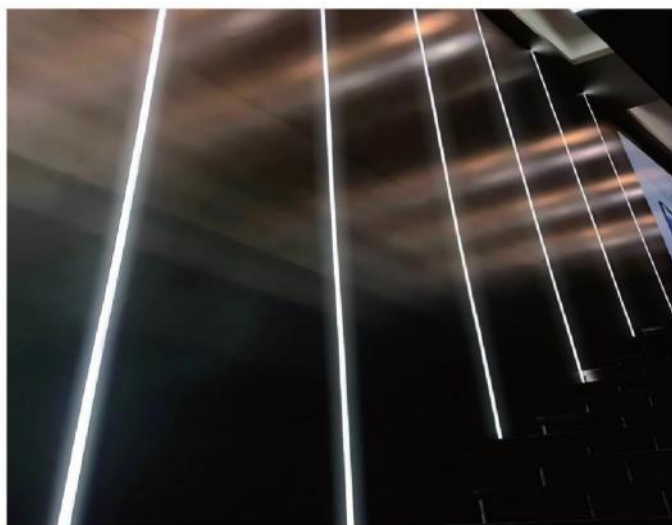
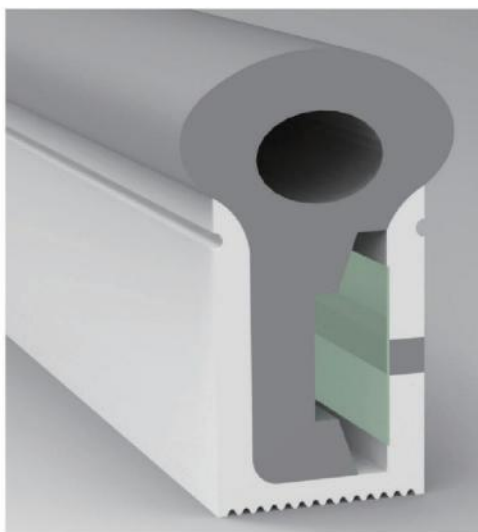
Aluminum Clip



Aluminum Profile

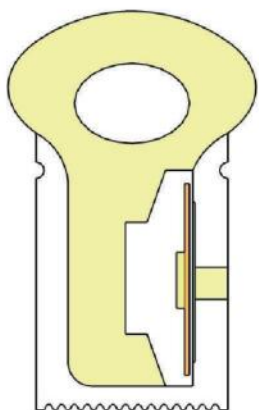
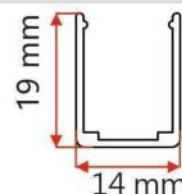
Flexible Profile

Side View S1225C



PCB Width(mm)	12
Weight(g/m)	305
Section size(mm)	12*25
Beam angle	270°

Aluminum Profile size(mm)



Lighting Direction: Side Lighting
Cutting mark:Yes



End cap with hole



End cap no hole

Aluminum Clip

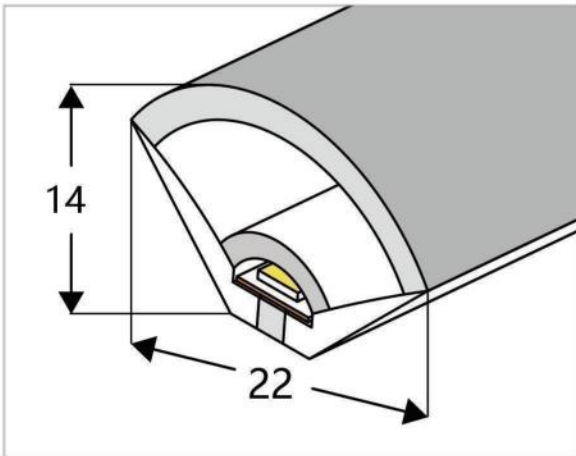
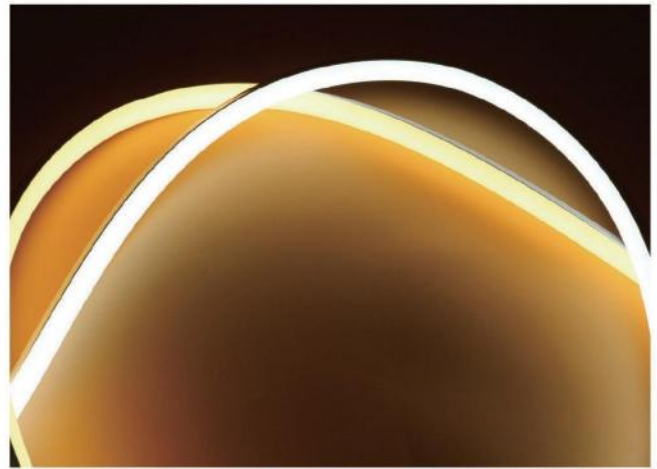


Aluminum Profile

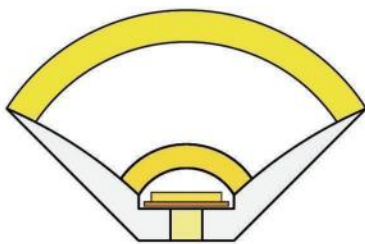
Flexible Profile

ROUND VIEW SERIES

180 View SV22



PCB Width(mm)	5
Weight(g/m)	157
Section size(mm)	22*14
Beam angle	180°



Lighting Dairction: Top Lighting
Cutting mark:Yes



End cap with hole

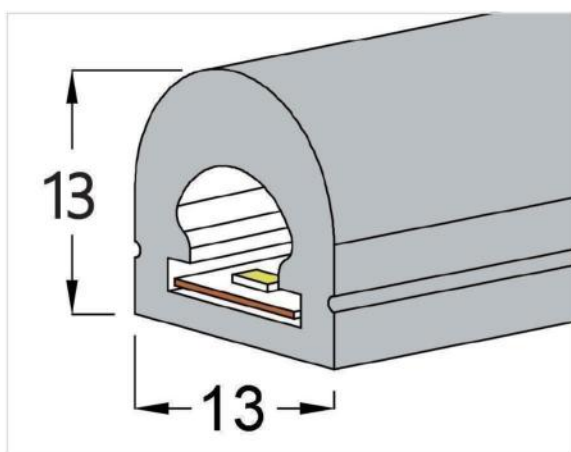
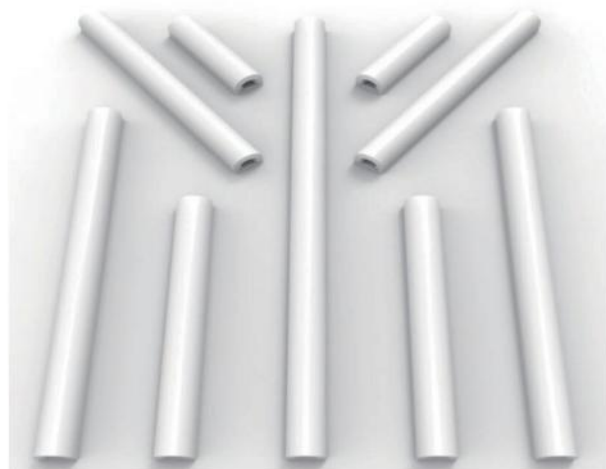


End cap no hole

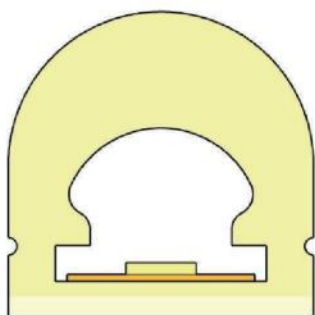


Aluminum Clip

180° View S1313



PCB Width(mm)	8
Weight(g/m)	142
Section size(mm)	13*13
Beam angle	180°



Lighting Dairction: Top Lighting
Cutting mark:Yes



End cap with hole

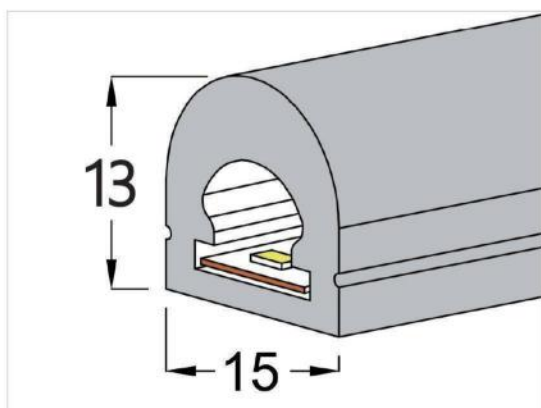
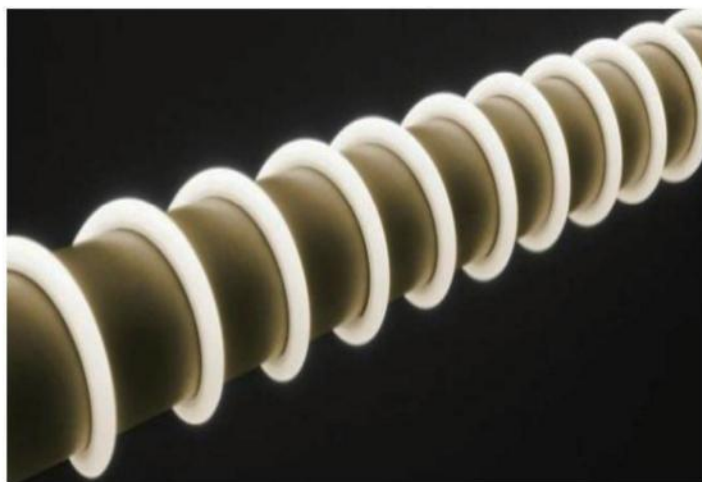
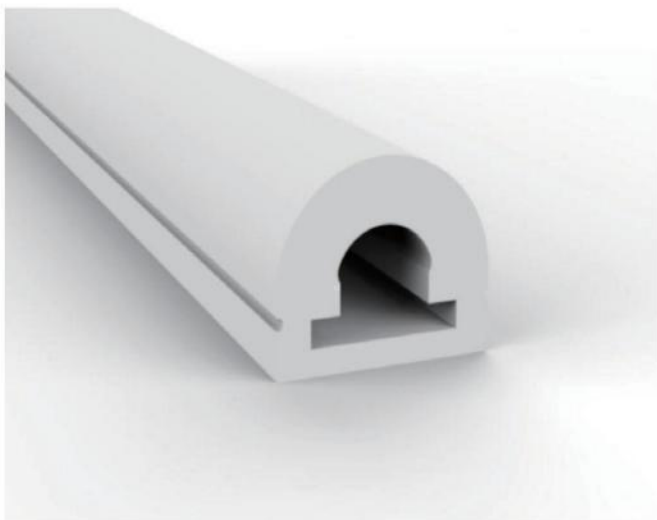


End cap no hole

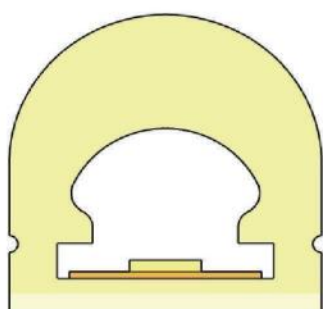


Plastic clip

180° View S1513



PCB Width(mm)	10
Weight(g/m)	143
Section size(mm)	13*15
Beam angle	180°



Lighting Dairction: Top Lighting



End cap with hole

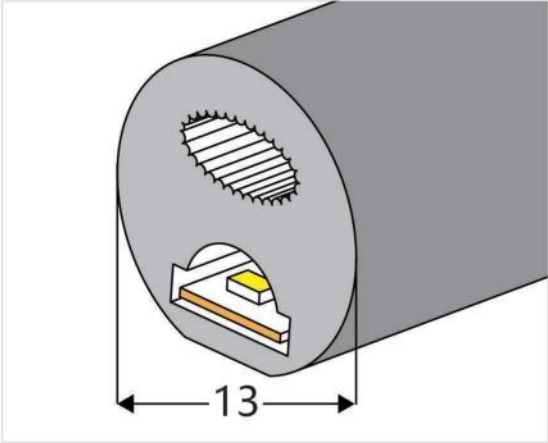
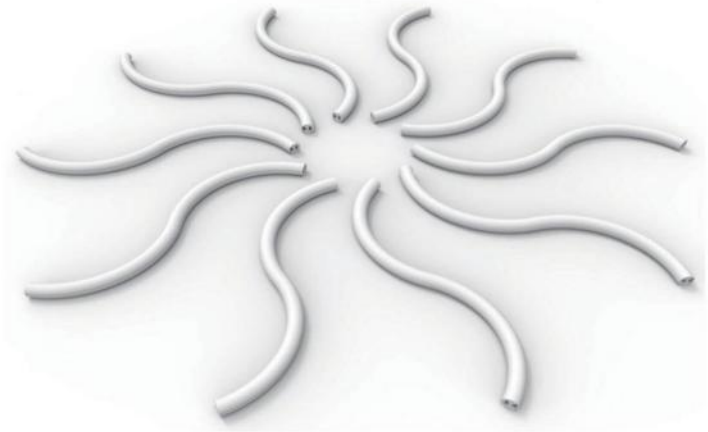


End cap no hole

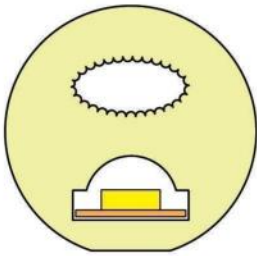


Plastic clip

270° View SD13A



PCB Width(mm)	5
Weight(g/m)	136
Section size(mm)	φ 13
Beam angle	270°



Lighting Dairrection: Top Lighting



End cap with hole

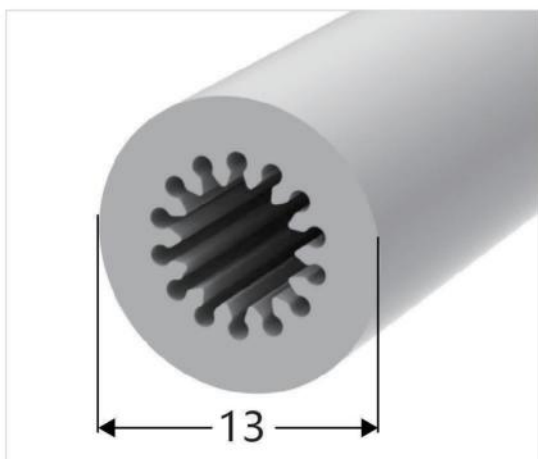
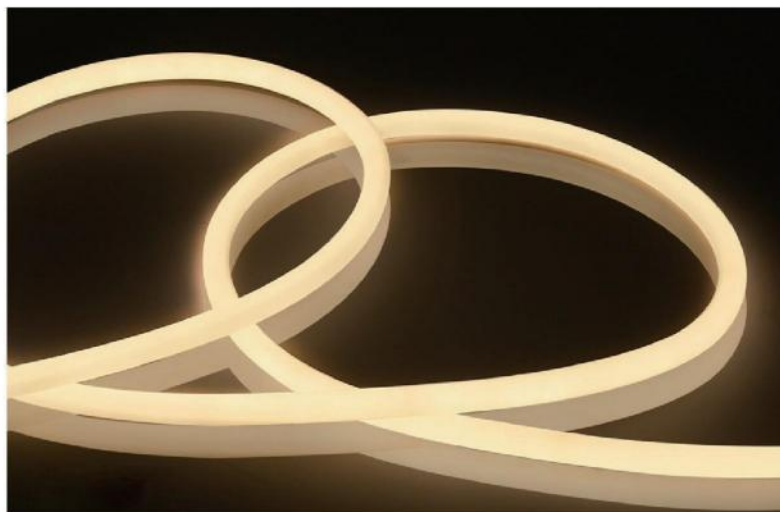
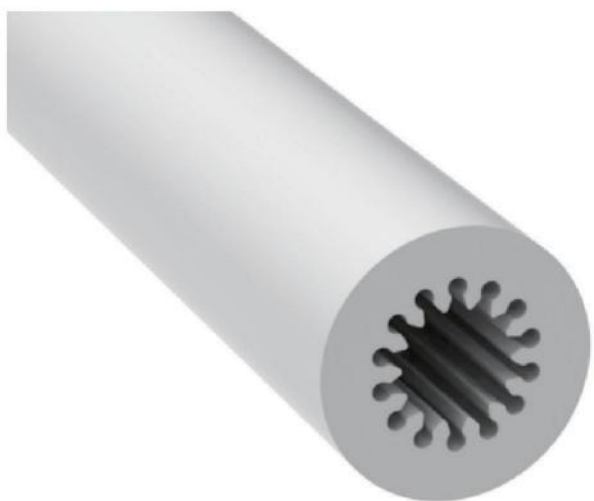


End cap no hole

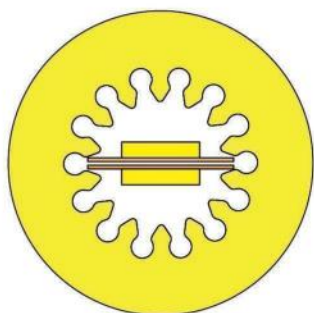


Plastic clip

360° View SD13B



PCB Width(mm)	double-sided 5/8
Weight(g/m)	107
Section size(mm)	∅ 13
Beam angle	360°



Lighting Direction: 360°



End cap with hole

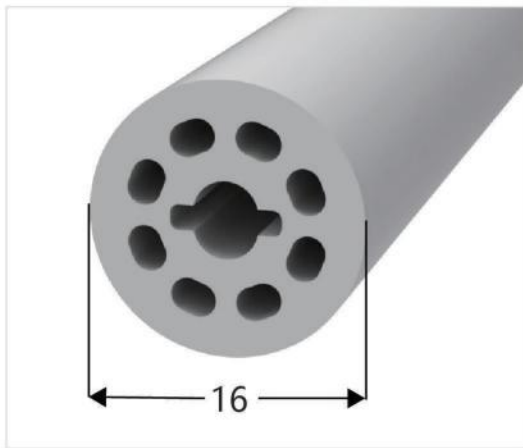


End cap no hole



Plastic clip

360° View SD16

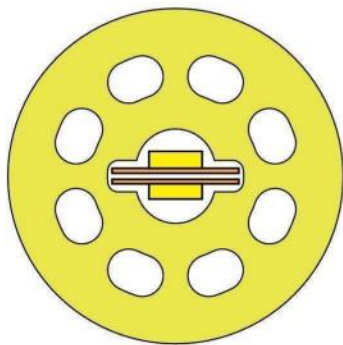


PCB Width(mm) double-sided 6

Weight(g/m) 190

Section size(mm) ϕ 16

Beam angle 360°



Lighting Direction: 360°



End cap with hole

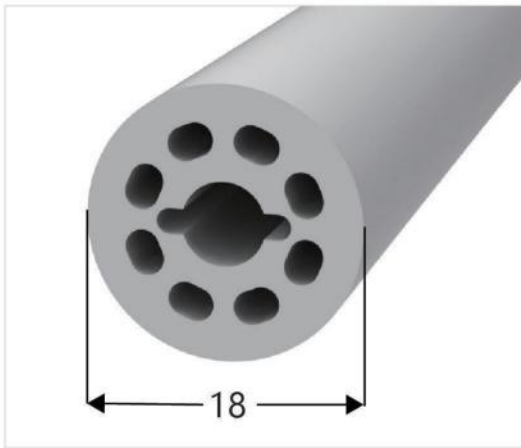


End cap no hole



Plastic clip

360° View SD18

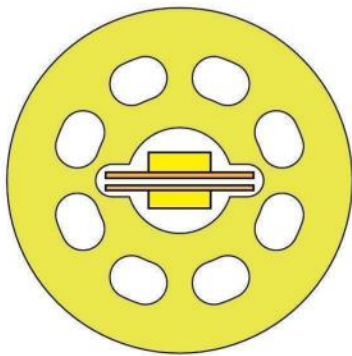


PCB Width(mm) double-sided 8

Weight(g/m) 226

Section size(mm) ϕ 18

Beam angle 360°



Lighting Direction: 360°



End cap with hole

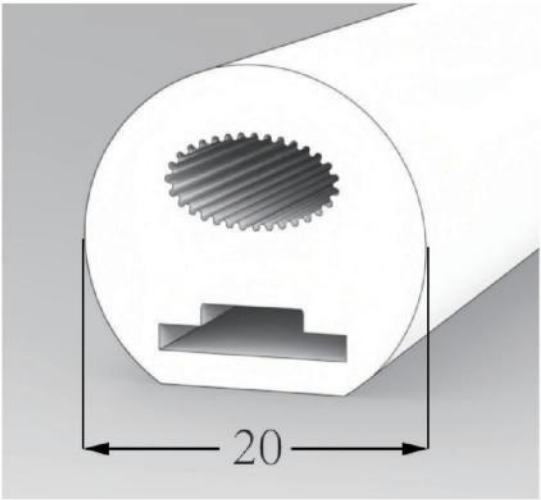
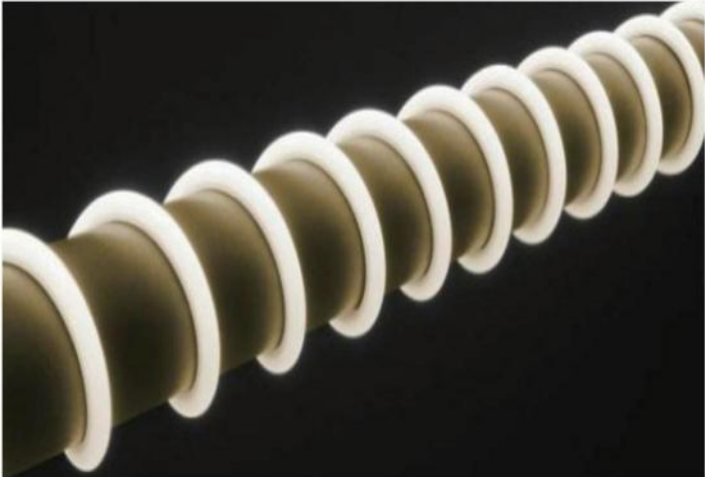
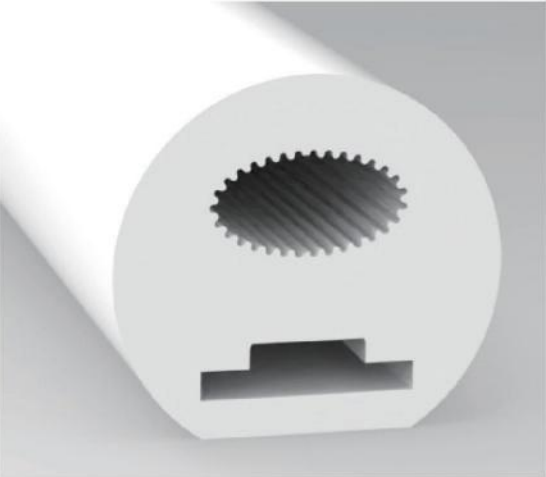


End cap no hole

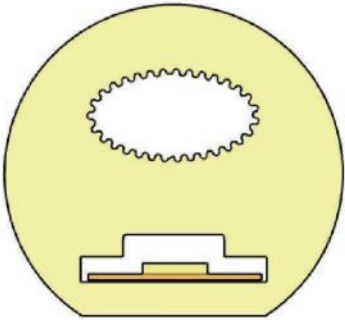


Plastic clip

270° View SD20A



PCB Width(mm)	10
Weight(g/m)	320
Section size(mm)	∅ 20
Beam angle	270°



Lighting Direction: Top Lighting



End cap with hole

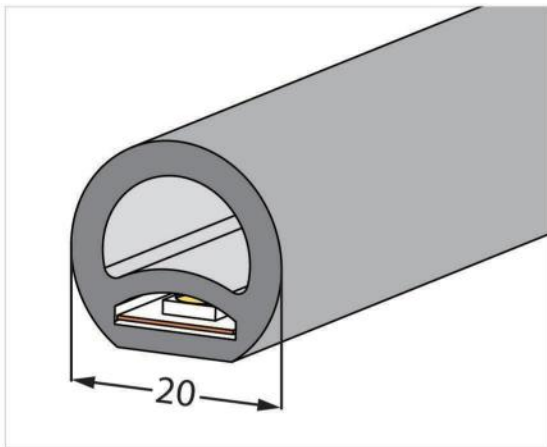


End cap no hole

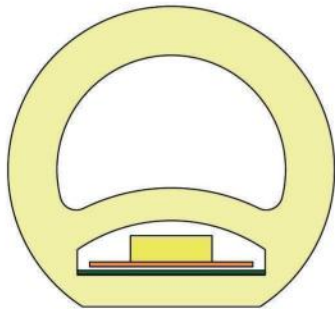


Plastic clip

270° View SD20B



PCB Width(mm)	10
Weight(g/m)	241
Section size(mm)	∅ 20
Beam angle	270°



Lighting Dairction: Top Lighting



End cap with hole

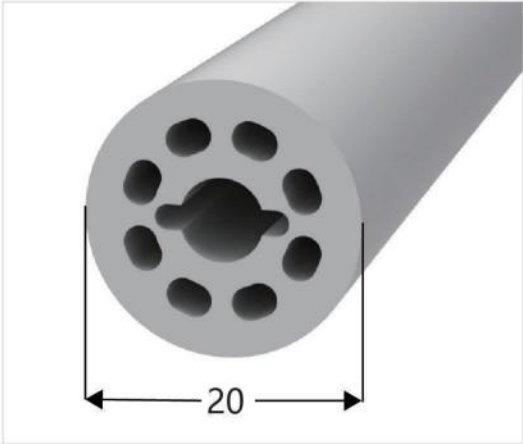


End cap no hole

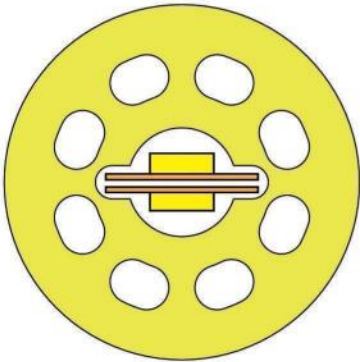


Plastic clip

360° View SD20C



PCB Width(mm)	double-sided 8
Weight(g/m)	287
Section size(mm)	∅ 20
Beam angle	360°



Lighting Direction: 360°



End cap with hole

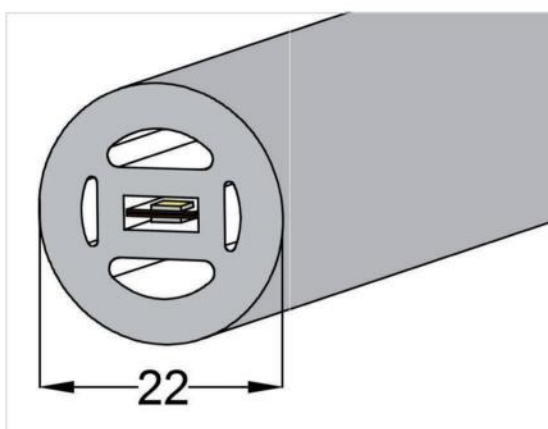


End cap no hole

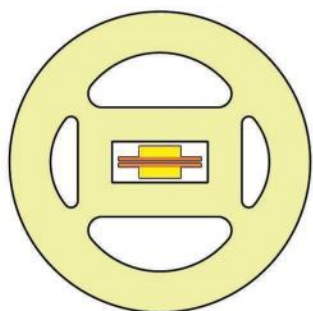


Plastic clip

360° View SD22A



PCB Width(mm)	double-sided 6
Weight(g/m)	348
Section size(mm)	∅ 22
Beam angle	360°



Lighting Direction: 360°



End cap with hole

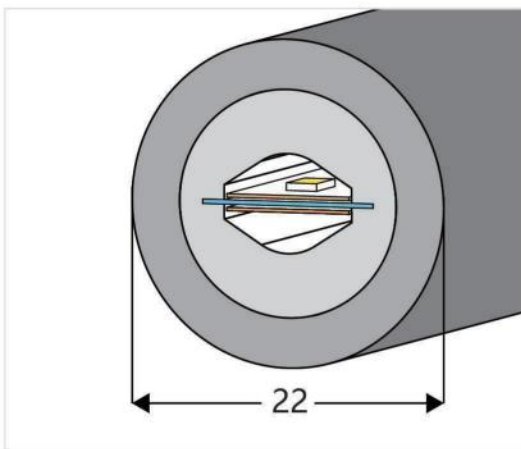


End cap no hole

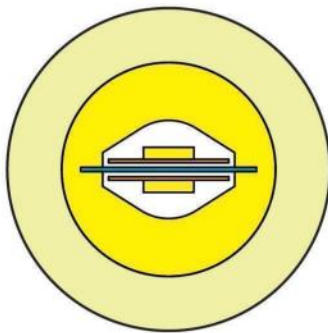


Plastic clip

360° View SD22B



PCB Width(mm)	double-sided 8
Weight(g/m)	430
Section size(mm)	∅ 22
Beam angle	360°



Lighting Direction: 360°



End cap with hole

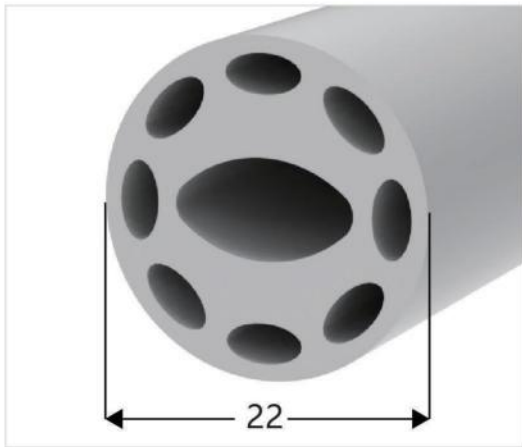


End cap no hole

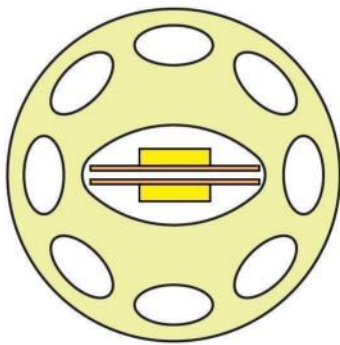


Plastic clip

360° View SD22C



PCB Width(mm)	double-sided 10
Weight(g/m)	327
Section size(mm)	Φ 22
Beam angle	360°



Lighting Direction: 360°



End cap with hole

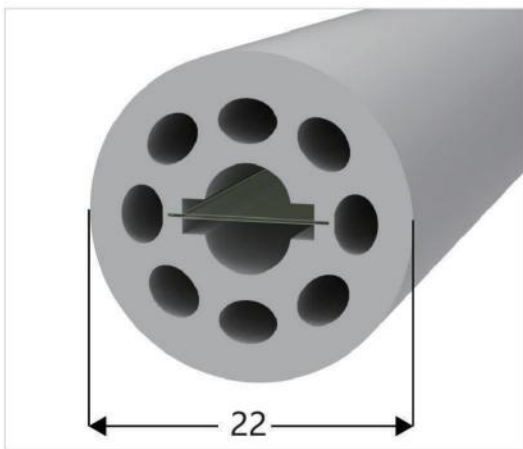


End cap no hole

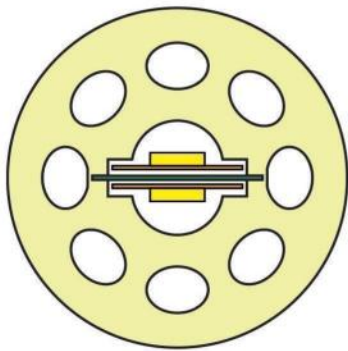


Plastic clip

360° View SD22D



PCB Width(mm)	double-sided 8
Weight(g/m)	337
Section size(mm)	∅ 22
Beam angle	360°



Lighting Direction: 360°



End cap with hole

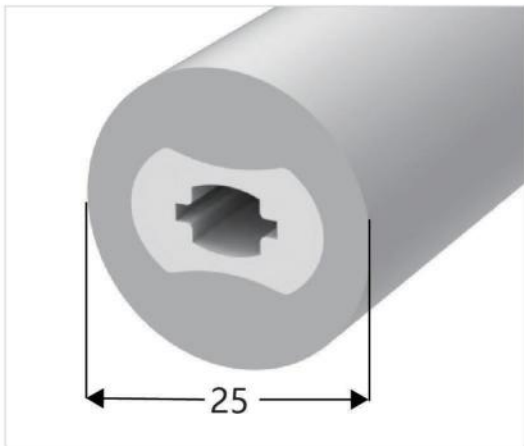
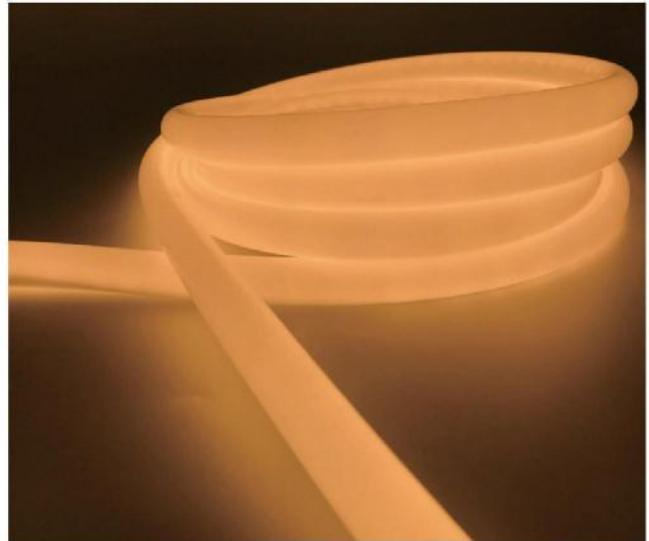
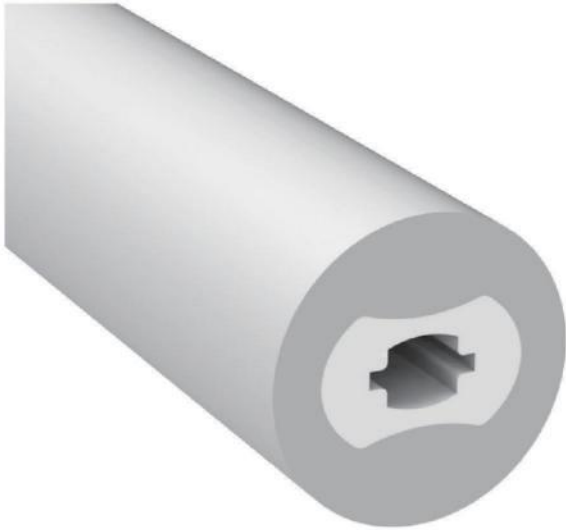


End cap no hole

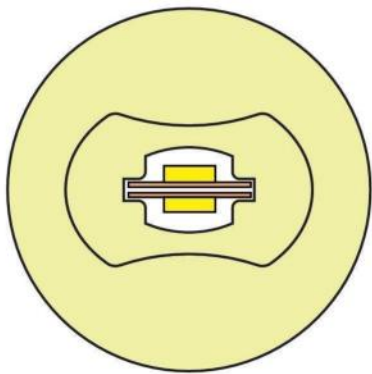


Plastic clip

360° View SD25



PCB Width(mm)	double-sided 8
Weight(g/m)	570
Section size(mm)	∅ 25
Beam angle	360°



Lighting Direction: 360°



End cap with hole

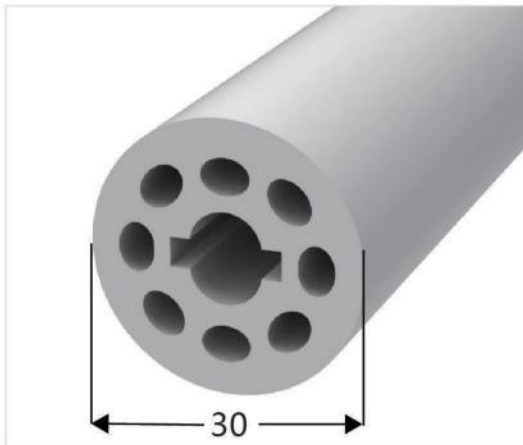


End cap no hole



Plastic clip

360° View SD30

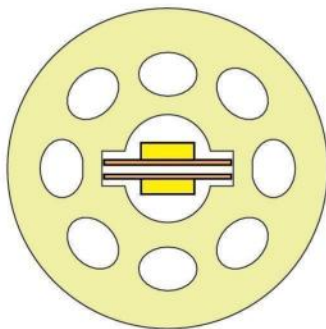


PCB Width(mm) double-sided 10

Weight(g/m) 621

Section size(mm) ϕ 30

Beam angle 360°



Lighting Direction: 360°



End cap with hole

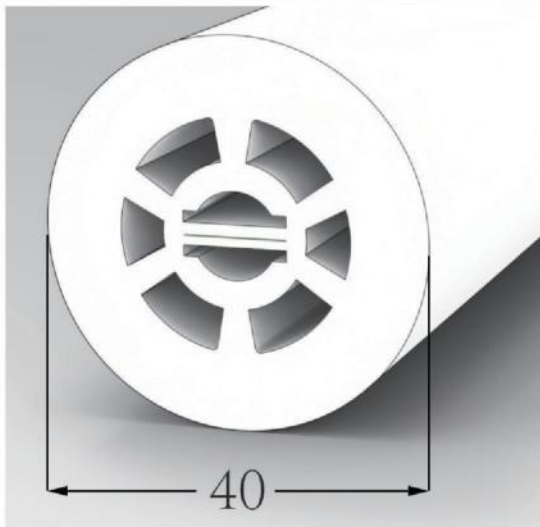
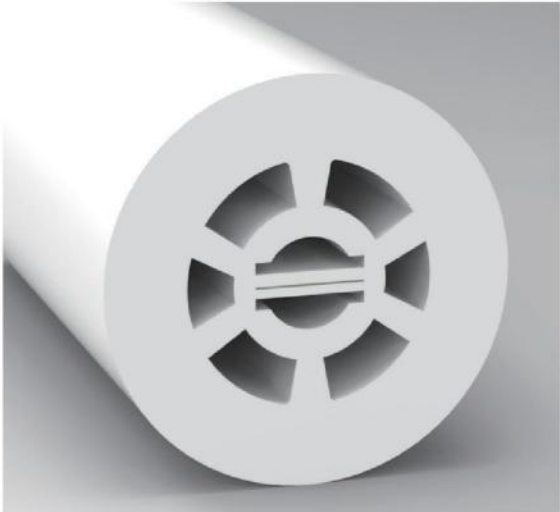


End cap no hole



Plastic clip

360° View SD40

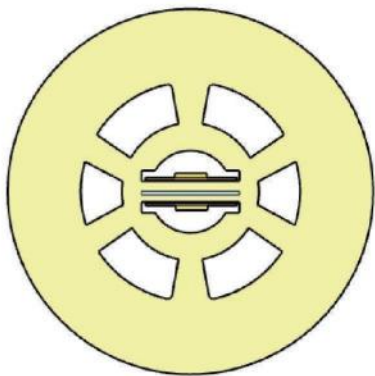


PCB Width(mm) double-sided 10

Weight(g/m) 1291

Section size(mm) ϕ 40

Beam angle 360°



Lighting Direction: 360°



End cap with hole



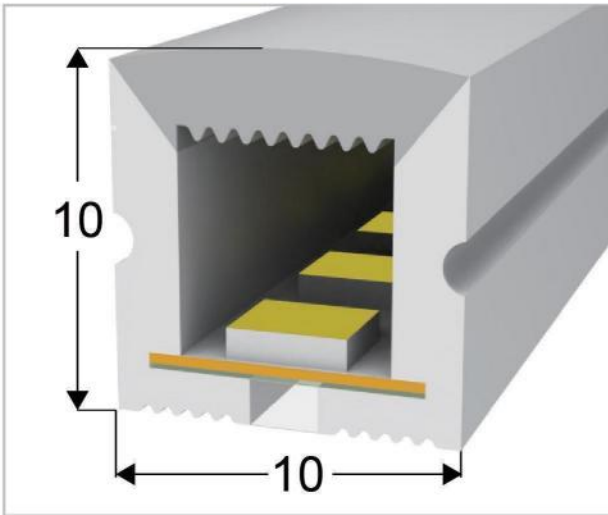
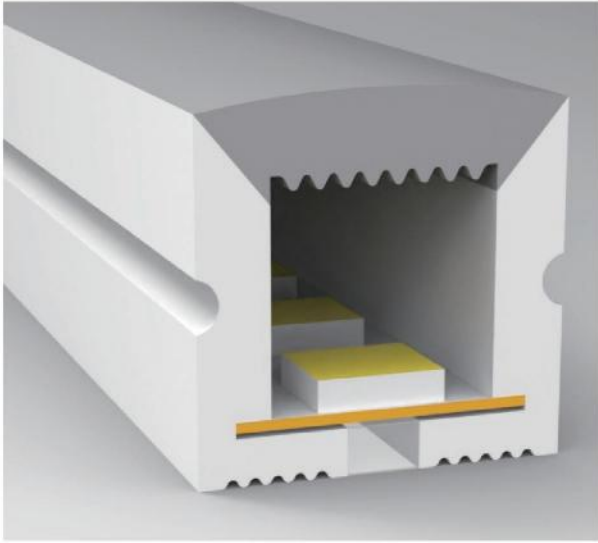
End cap no hole



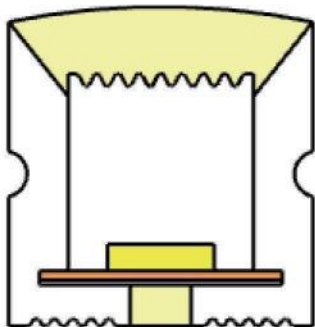
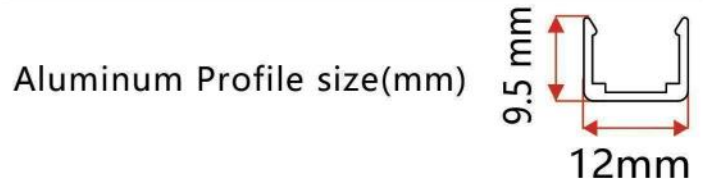
Plastic clip

FINISHED PRODUCT SERIES

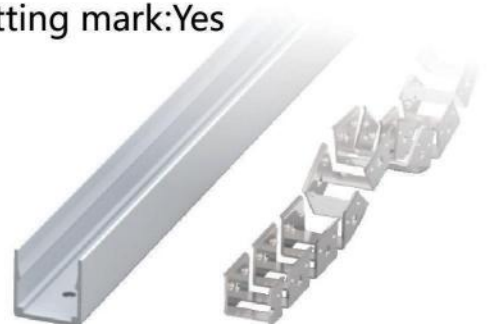
Top View With LED 50M/Roll S1010A



PCB Width (mm)	8
Weight (g/m)	102
Section size (mm)	10*10
Beam angle	120°



Lighting Direction: Top Lighting
Cutting mark: Yes



End cap with hole

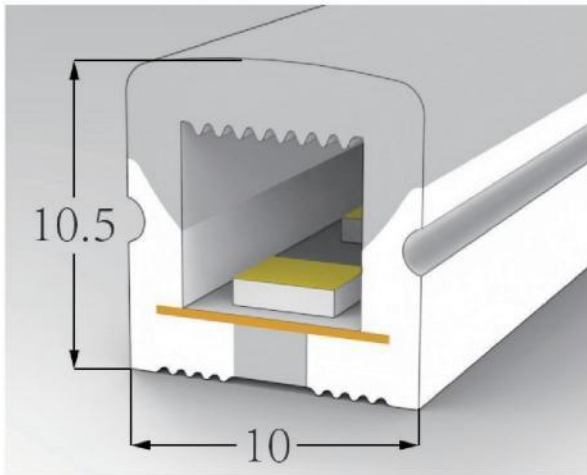
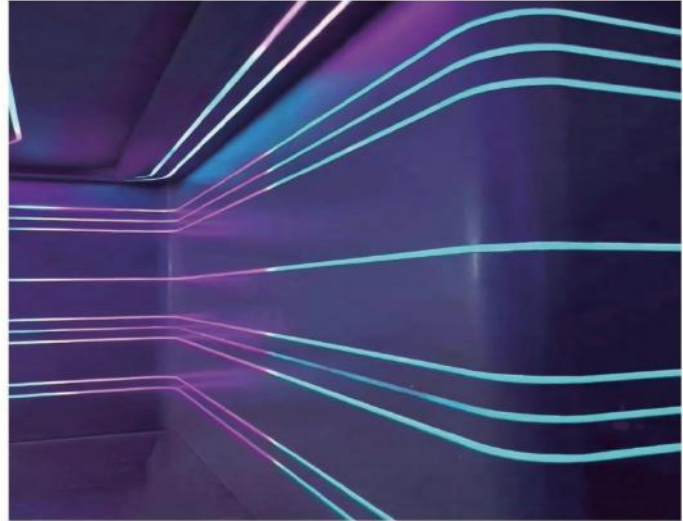
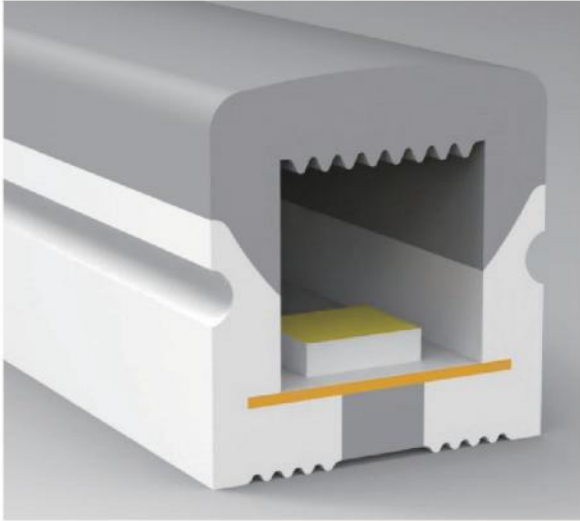
End cap no hole

Aluminum Clip

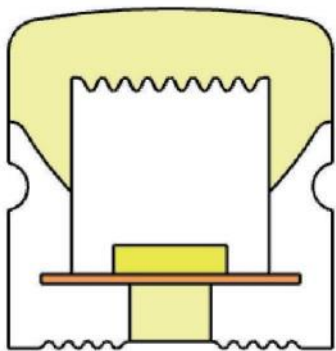
Aluminum Profile

Flexible Profile

Top View With LED 50M/Roll S1010B



PCB Width(mm)	8
Weight(g/m)	102
Section size(mm)	10*10
Beam angle	180°



Lighting Direction: 3 sides Top Lighting
Cutting Mark Yes

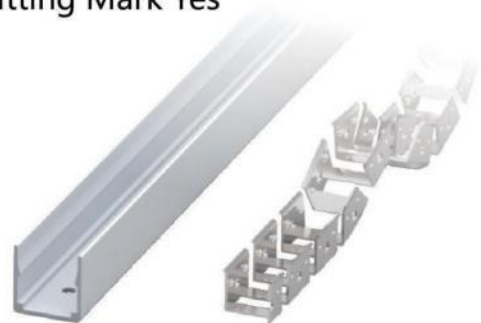


End cap with hole

End cap no hole



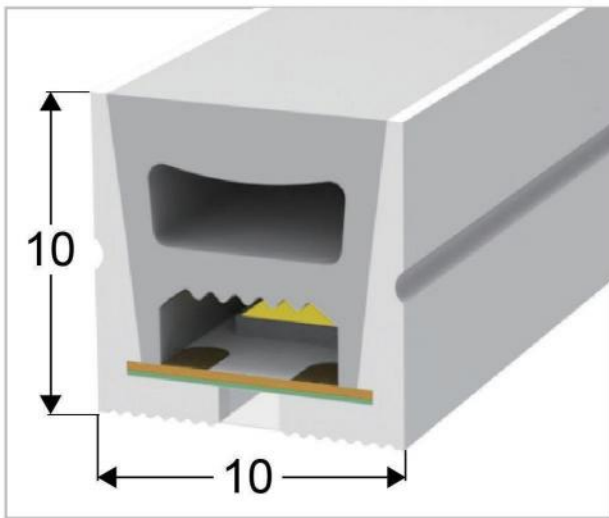
Aluminum Clip



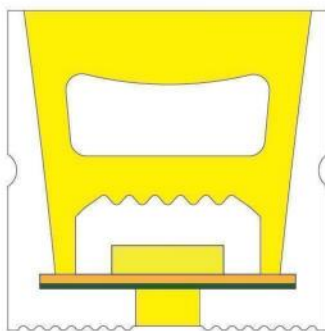
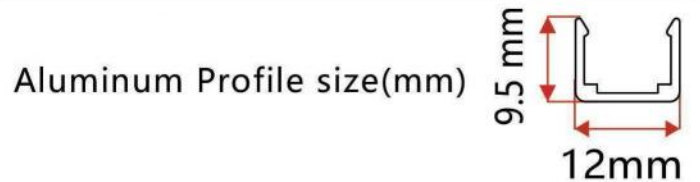
Aluminum Profile

Flexible Profile

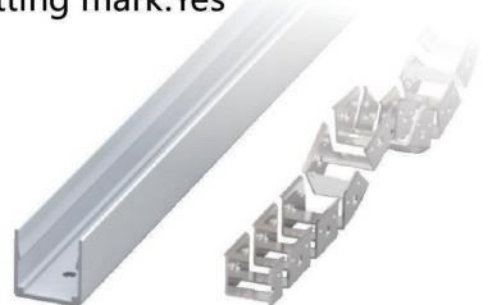
Top View With LED 50M/Roll S1010C



PCB Width (mm)	8
Weight (g/m)	96
Section size (mm)	10*10
Beam angle	120°



Lighting Direction: Top Lighting
Cutting mark: Yes



End cap with hole

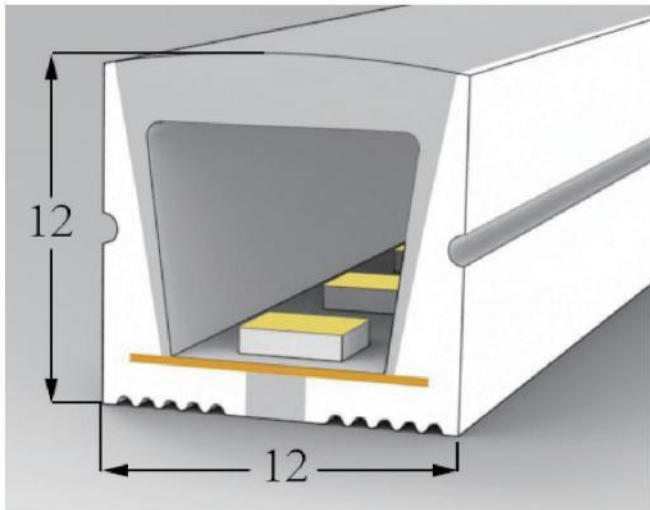
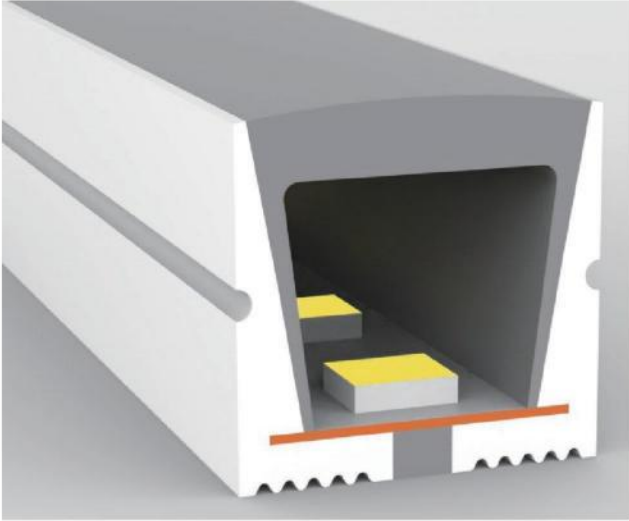
End cap no hole

Aluminum Clip

Aluminum Profile

Flexible Profile

Top View With LED 50M/Roll S1212A



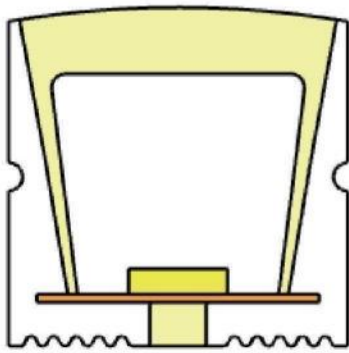
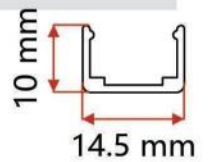
PCB Width(mm) 8/10

Weight(g/m) 113

Section size(mm) 12*12

Beam angle 120°

Aluminum Profile size(mm)



Lighting Dairaction: Top Lighting
Cutting mark:Yes

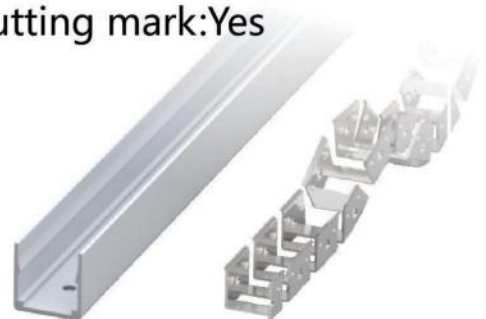


End cap with hole

End cap no hole



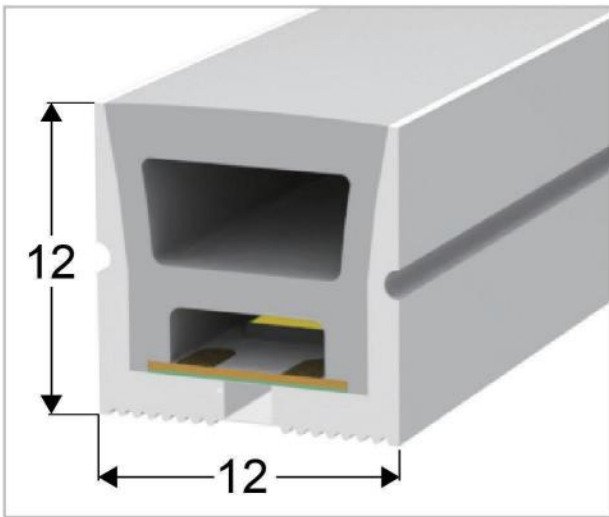
Aluminum Clip



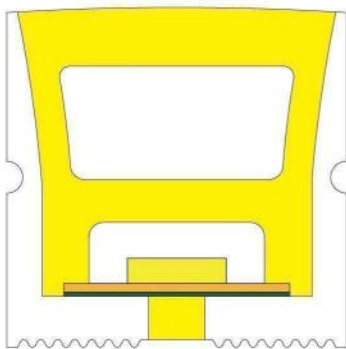
Aluminum Profile

Flexible Profile

Top View With LED 50M/RoII S1212B



PCB Width (mm)	8
Weight (g/m)	132
Section size (mm)	12*12
Beam angle	120°



Lighting Direction: Top Lighting
Cutting mark: Yes

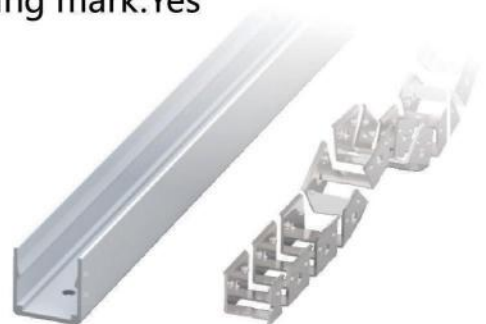


End cap with hole

End cap no hole



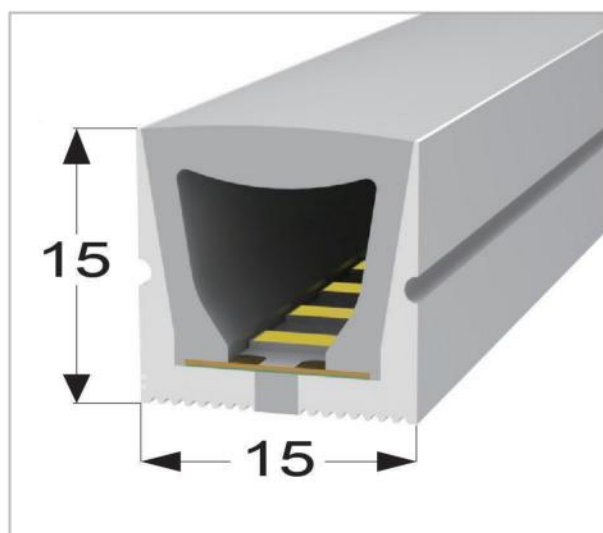
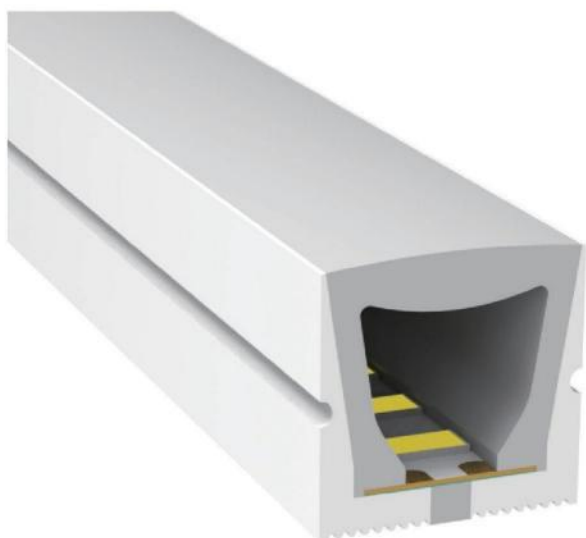
Aluminum Clip



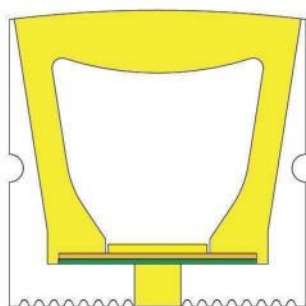
Aluminum Profile

Flexible Profile

Top View With LED 50M/Roll S1515A



PCB Width(mm)	10
Weight(g/m)	200
Section size(mm)	15*15
Beam angle	120°



Lighting Dairaction: Top Lighting
Cutting mark:Yes



End cap with hole

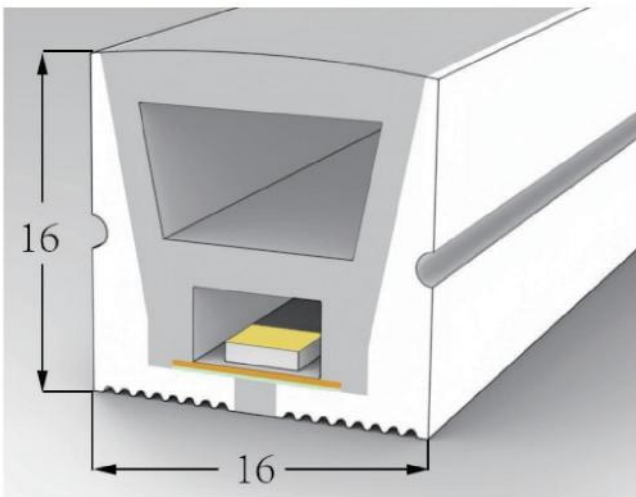
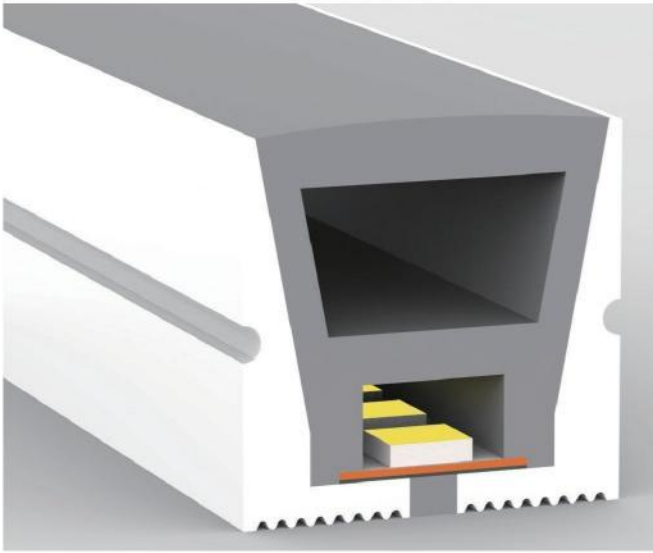
End cap no hole

Aluminum Clip

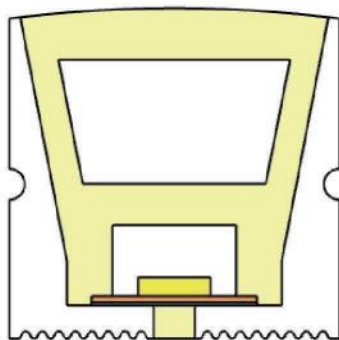
Aluminum Profile

Flexible Profile

Top View With LED 50M/Roll S1616A



PCB Width(mm)	10
Weight(g/m)	224
Section size(mm)	16*16
Beam angle	120°



Lighting Direction: Top Lighting
Cutting mark: Yes



End cap with hole

End cap no hole



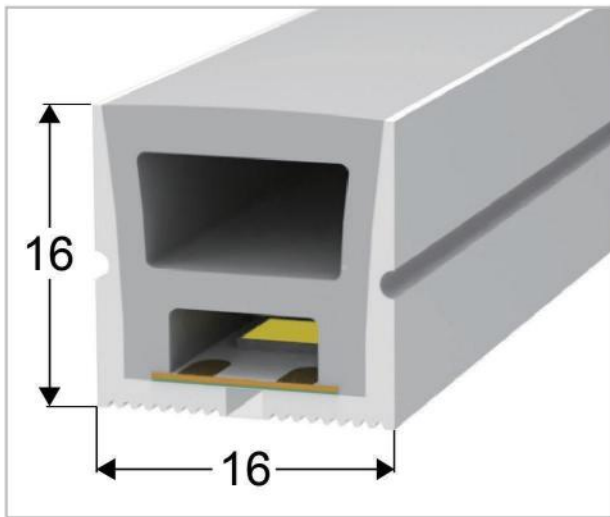
Aluminum Clip



Aluminum Profile

Flexible Profile

Top View With LED 50M/Roll S1616B



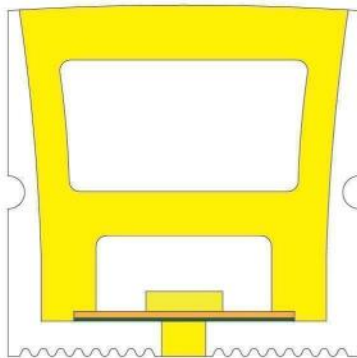
PCB Width(mm) 10

Weight(g/m) 224

Section size(mm) 16*16

Beam angle 120°

Aluminum Profile size(mm) 



Lighting Direction: Top Lighting

Cutting mark: Yes



End cap with hole

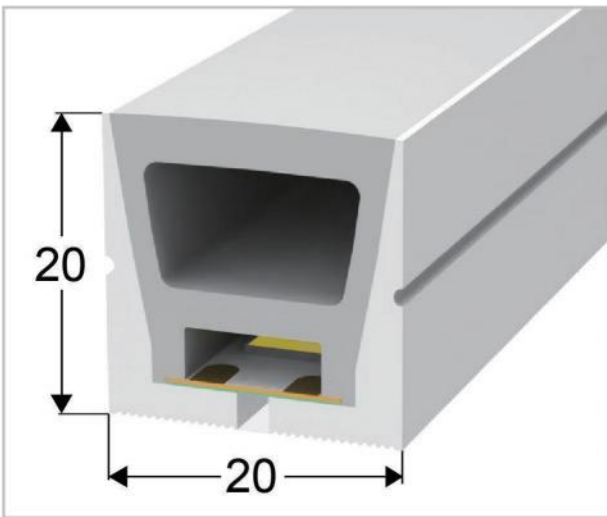
End cap no hole

Aluminum Clip

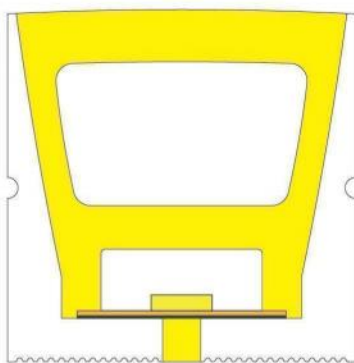
Aluminum Profile

Flexible Profile

Top View With LED 50M/RoII S2020



PCB Width(mm)	12
Weight(g/m)	340
Section size(mm)	20*20
Beam angle	120°



Lighting Direction: Top Lighting
| Cutting mark:Yes



End cap with hole

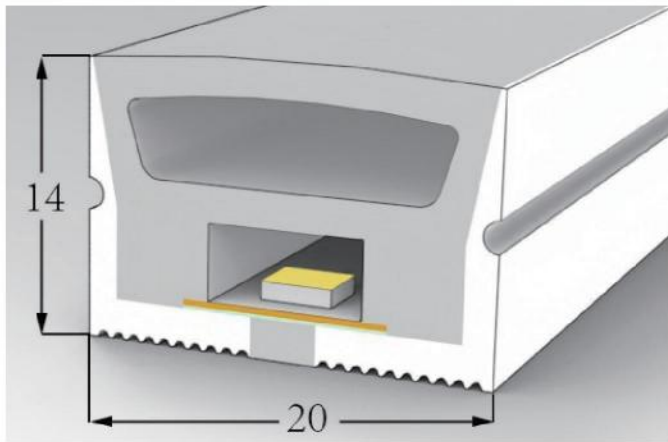
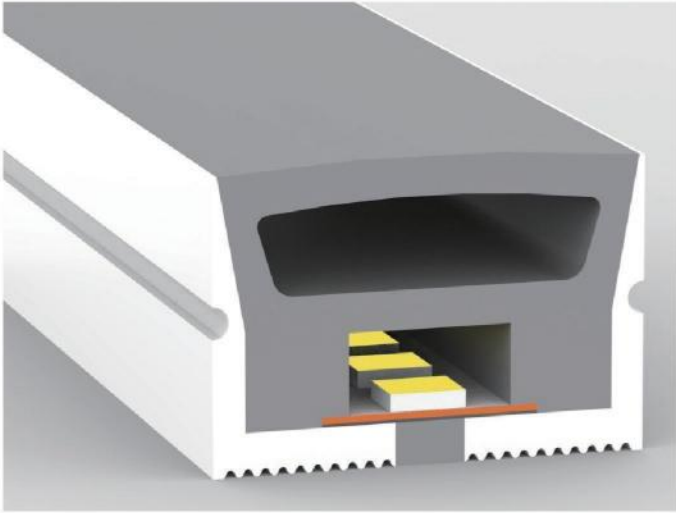
End cap no hole

Aluminum Clip

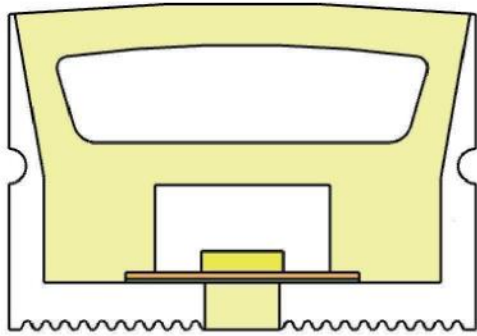
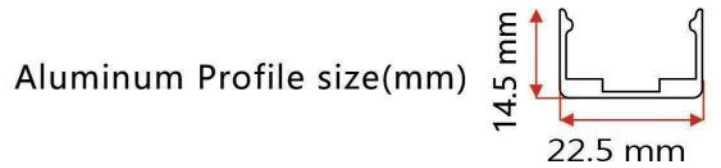
Aluminum Profile

Flexible Profile

Top View With LED 50M/Roll S2014



PCB Width(mm)	10
Weight(g/m)	244
Section size(mm)	20*14
Beam angle	120°



Lighting Direction: Top lighting
Cutting mark: Yes

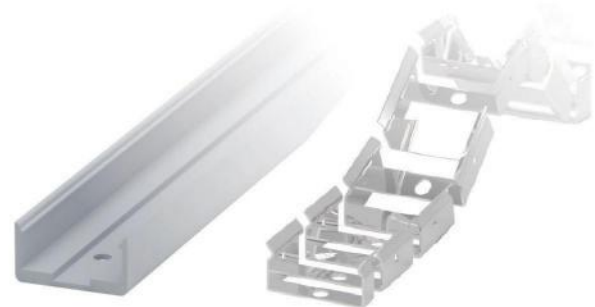


End cap with hole

End cap no hole



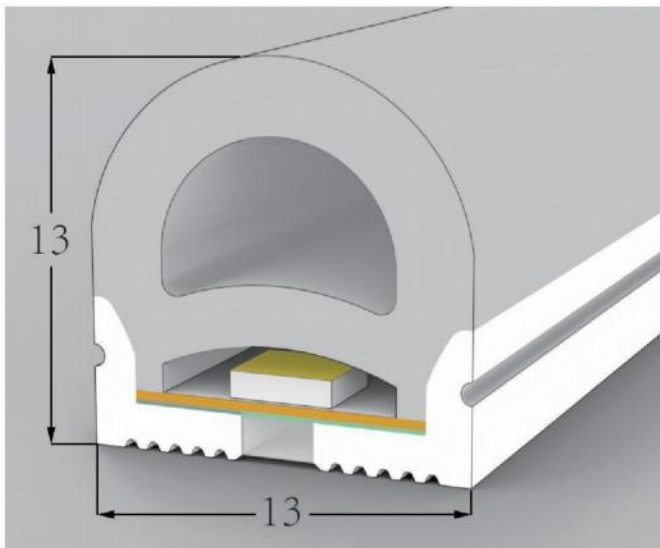
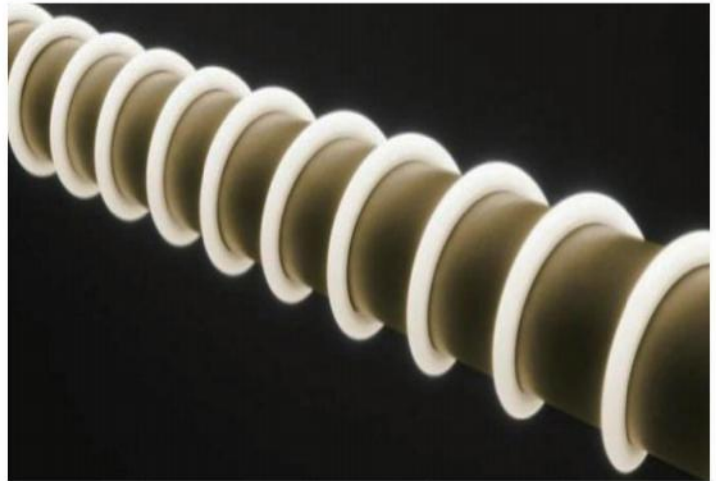
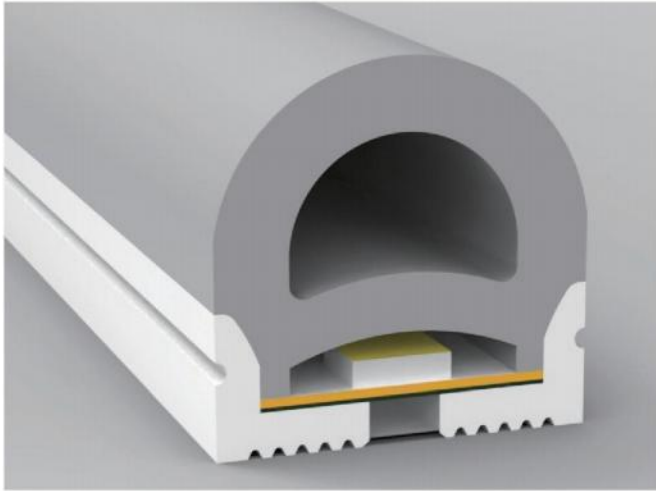
Aluminum Clip



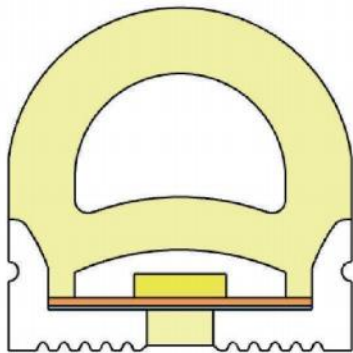
Aluminum Profile

Flexible Profile

Top View With LED 50M/Roll S1313



PCB Width(mm)	10
Weight(g/m)	149
Section size(mm)	13*13
Beam angle	180°



Lighting Direction: Top Lighting

Cutting mark: Yes



End cap with hole

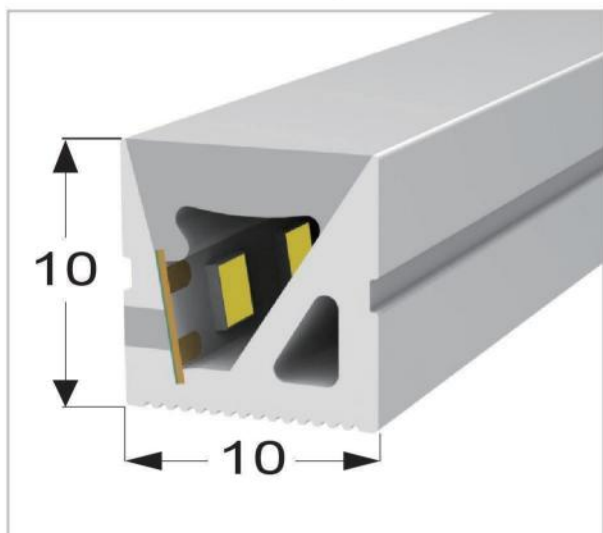
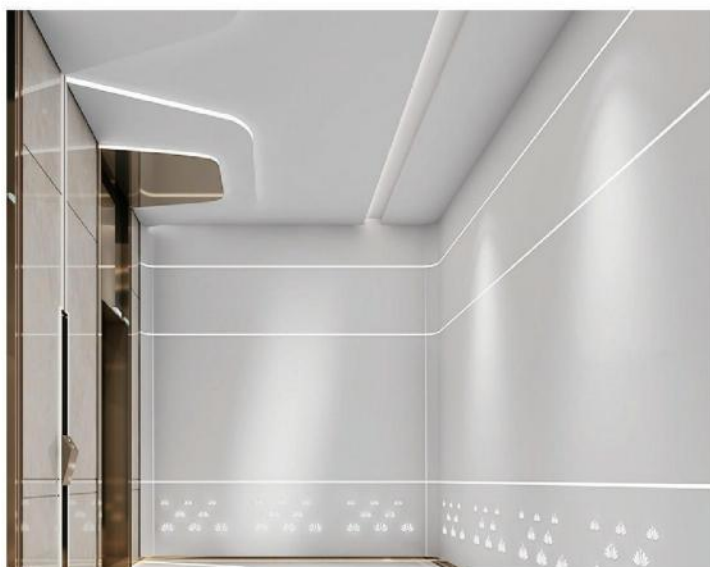
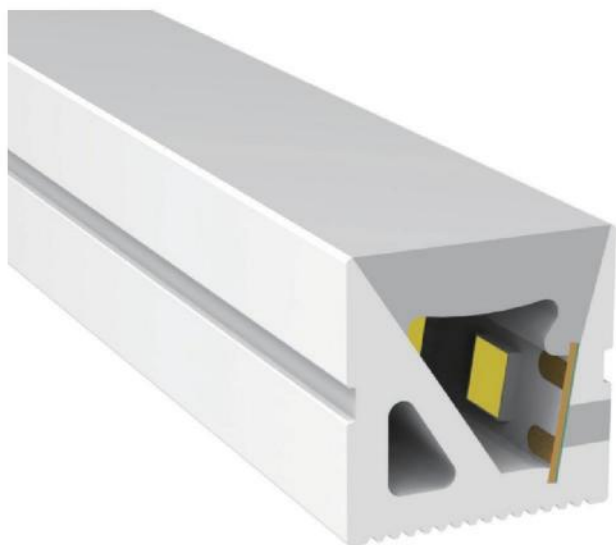


End cap no hole

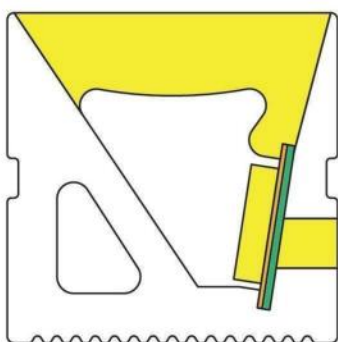


Plastic clip

Side View With LED 50M/Roll S1010D



PCB Width(mm)	5
Weight(g/m)	110
Section size(mm)	10*10
Beam angle	120°



Lighting Dairction: Side Lighting
Cutting mark:Yes



End cap with hole

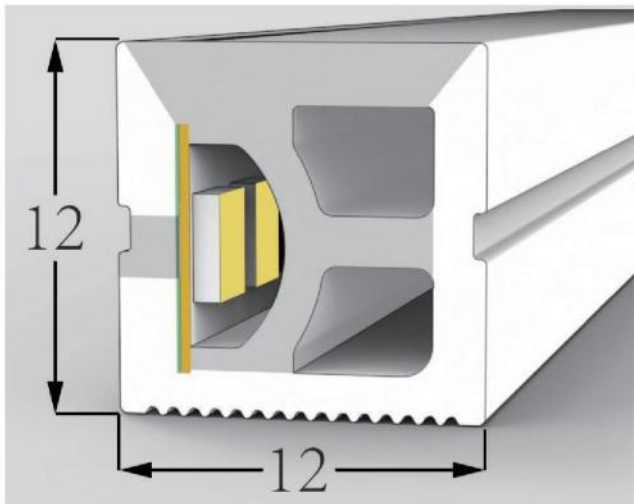
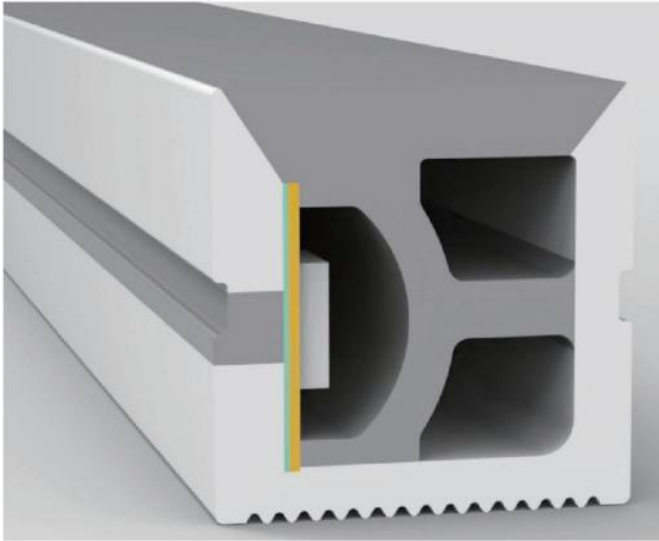
End cap no hole

Aluminum Clip

Aluminum Profile

Flexible Profile

Side View With LED 50M/Roll S1212C



PCB Width(mm)

8

Weight(g/m)

132

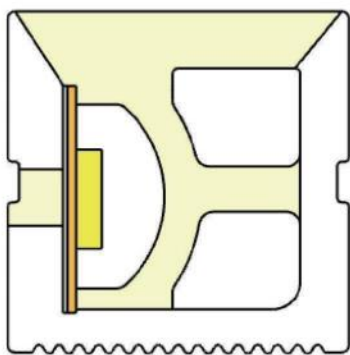
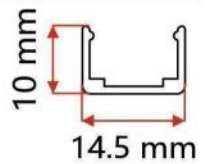
Section size(mm)

12*12

Beam angle

120°

Aluminum Profile size(mm)



Lighting Dairction: Side Lighting
Cutting mark:Yes

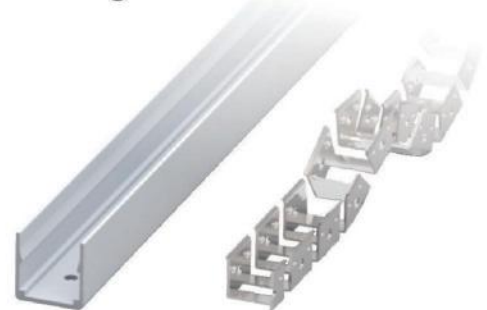


End cap with hole

End cap no hole



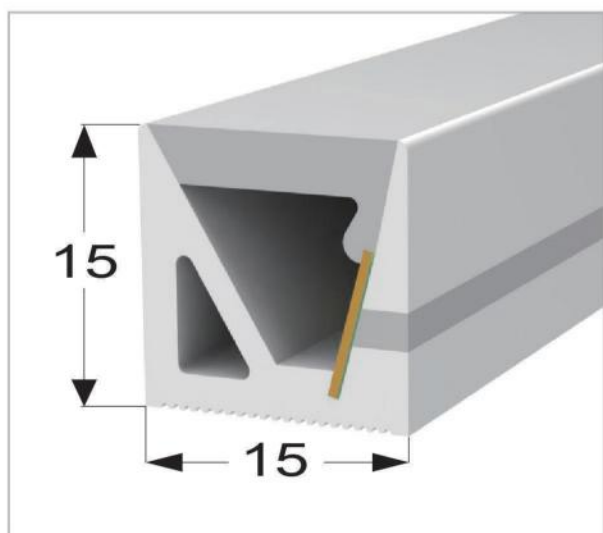
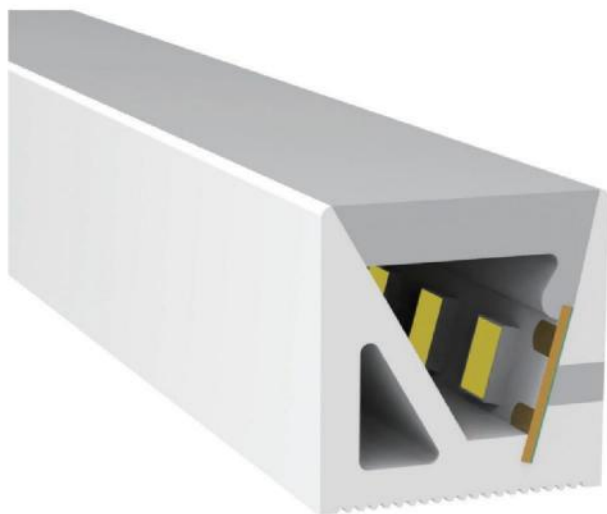
Aluminum Clip



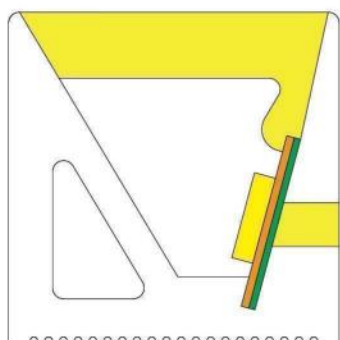
Aluminum Profile

Flexible Profile

Side View With LED 50M/Roll S1515B



PCB Width(mm)	8
Weight(g/m)	225
Section size(mm)	15*15
Beam angle	120°



Lighting Dairaction: Side Lighting
Cutting mark:Yes



End cap with hole

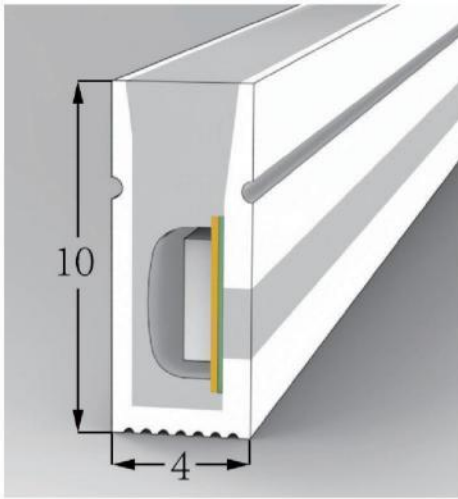
End cap no hole

Aluminum Clip

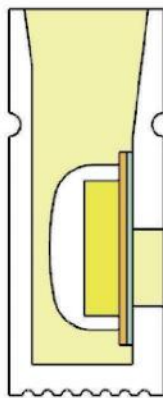
Aluminum Profile

Flexible Profile

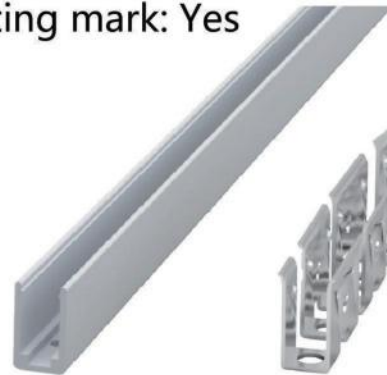
Side View With LED 50M/Roll S0410



PCB Width (mm)	5
Weight (g/m)	46.5
Section size (mm)	4*10
Beam angle	120°



Lighting Direction: Side Lighting
Cutting mark: Yes



End cap with hole

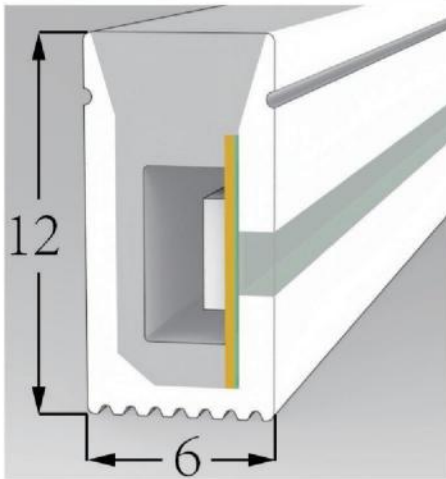
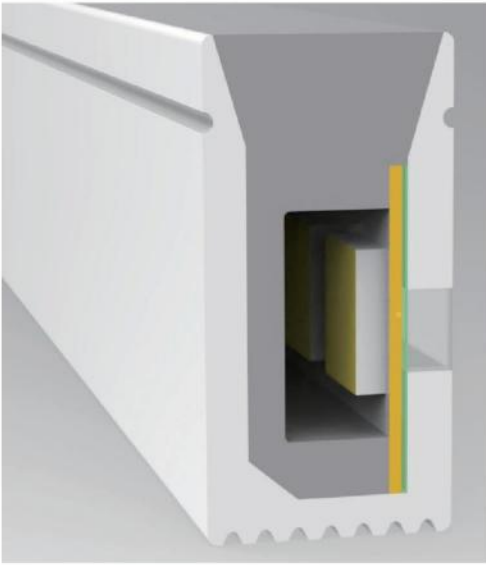
End cap no hole

Aluminum Clip

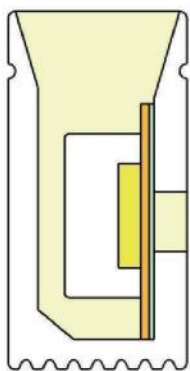
Aluminum Profile

Flexible Profile

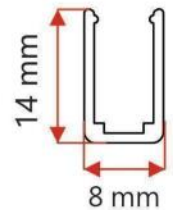
Side View With LED 50M/Roll S0612



PCB Width (mm)	8
Weight (g/m)	81
Section size (mm)	6*12
Beam angle	120°



Aluminum Profile size(mm)



Lighting Direction: Side Lighting
Cutting mark: Yes



End cap with hole



End cap no hole



Aluminum Clip

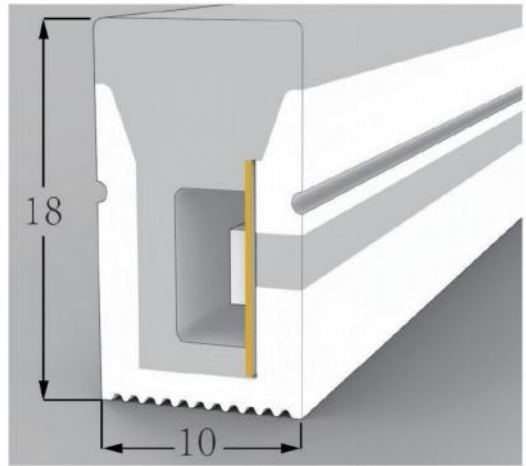
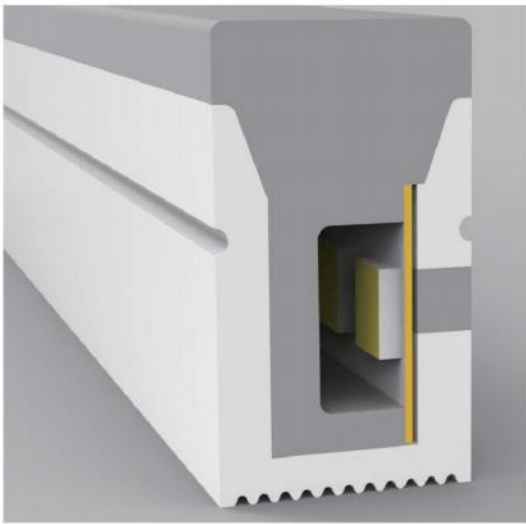


Aluminum Profile



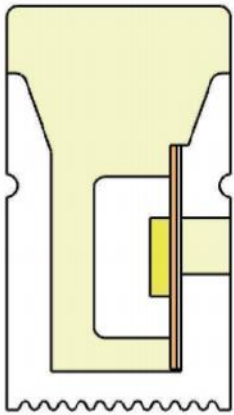
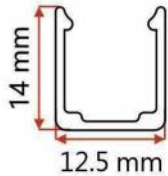
Flexible Profile

Side View With LED 50M/Roll S1018



PCB Width(mm)	10
Weight(g/m)	186
Section size(mm)	10*18
Beam angle	180°

Aluminum Profile size(mm)



Lighting Direction: 3 sides Top Lighting
Cutting mark: Yes



End cap with hole

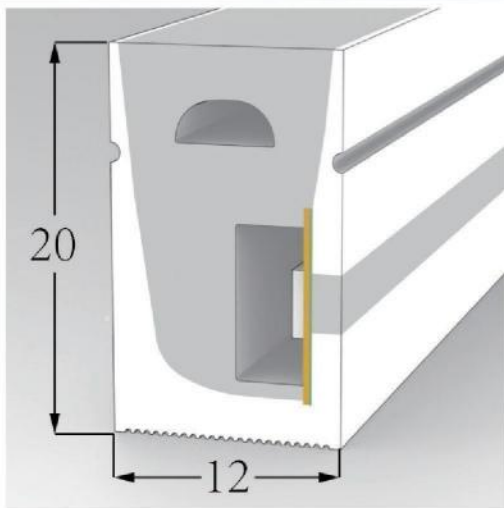
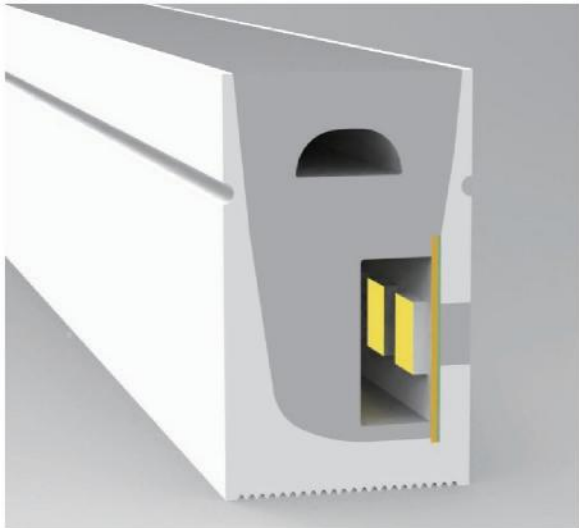
End cap no hole

Aluminum Clip

Aluminum Profile

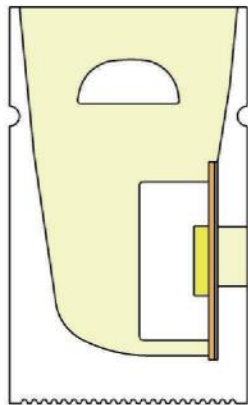
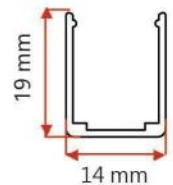
Flexible Profile

Side View With LED 50M/RoIl S1220



PCB Width(mm)	10
Weight(g/m)	235
Section size(mm)	12*20
Beam angle	120°

Aluminum Profile size(mm)



Lighting Dairction: Side Lighting
Cutting mark:Yes



End cap with hole

End cap no hole



Aluminum Clip

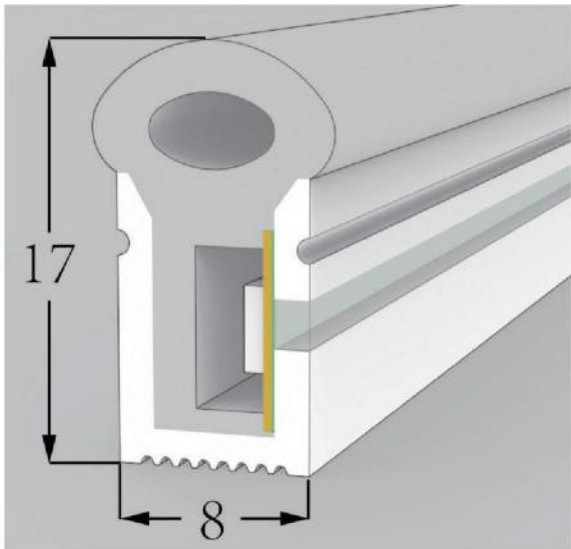
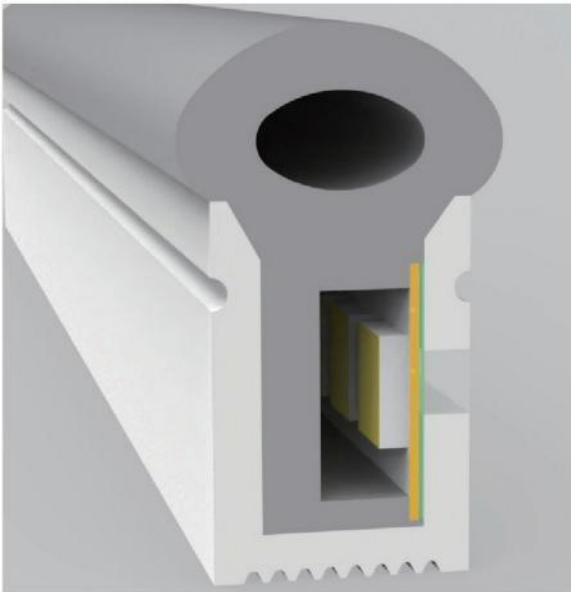


Aluminum Profile

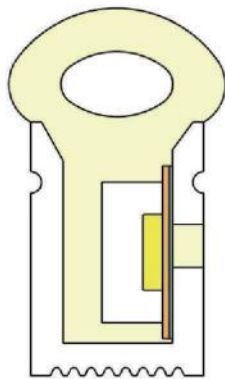


Flexible Profile

Side View With LED 50M/RoII S0817A



PCB Width(mm)	8
Weight(g/m)	148
Section size(mm)	8*17
Beam angle	270°



Lighting Direction: Side Lighting
Cutting mark:Yes



End cap with hole

End cap no hole



Aluminum Clip

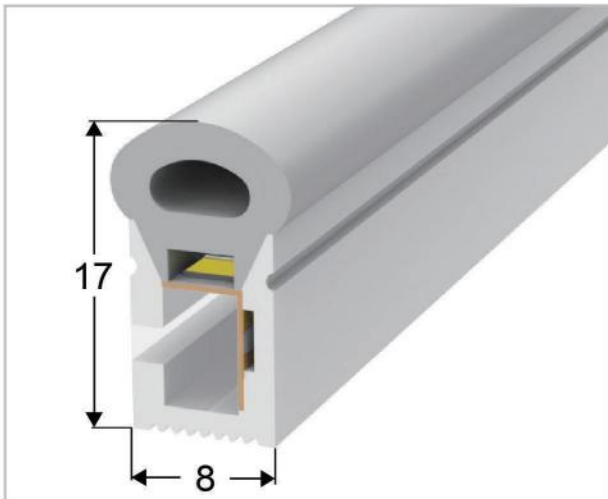


Aluminum Profile



Flexible Profile

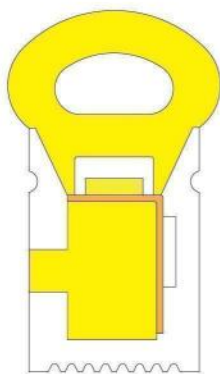
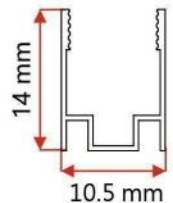
Side View With LED 50M/Roll S0817B



PCB L-TYPE side out

Weight(g/m)	157
Section size(mm)	8*17
Beam angle	270°

Aluminum Profile size(mm)



Lighting Direction: Side Lighting
Cutting mark: Yes



End cap with hole

End cap no hole



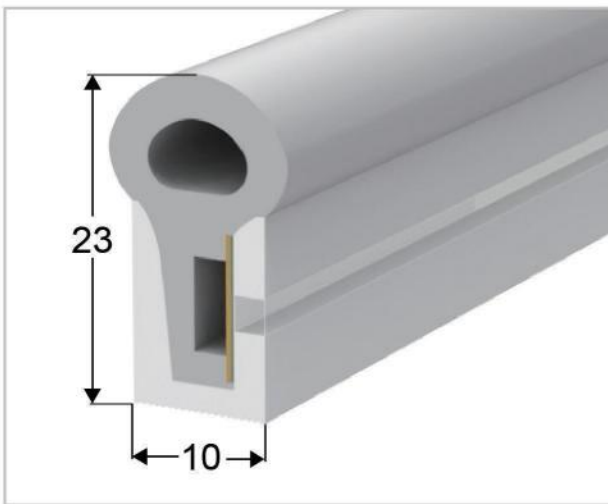
Aluminum Clip



Aluminum Profile

Flexible Profile

Side View With LED 50M/RoII S1023



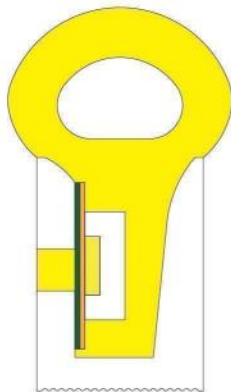
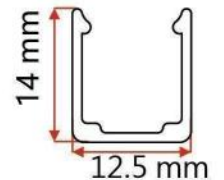
PCB Width(mm) 10

Weight(g/m) 260

Section size(mm) 10*23

Beam angle 270°

Aluminum Profile size(mm)



Lighting Direction: Side Lighting
Cutting mark: Yes



End cap with hole

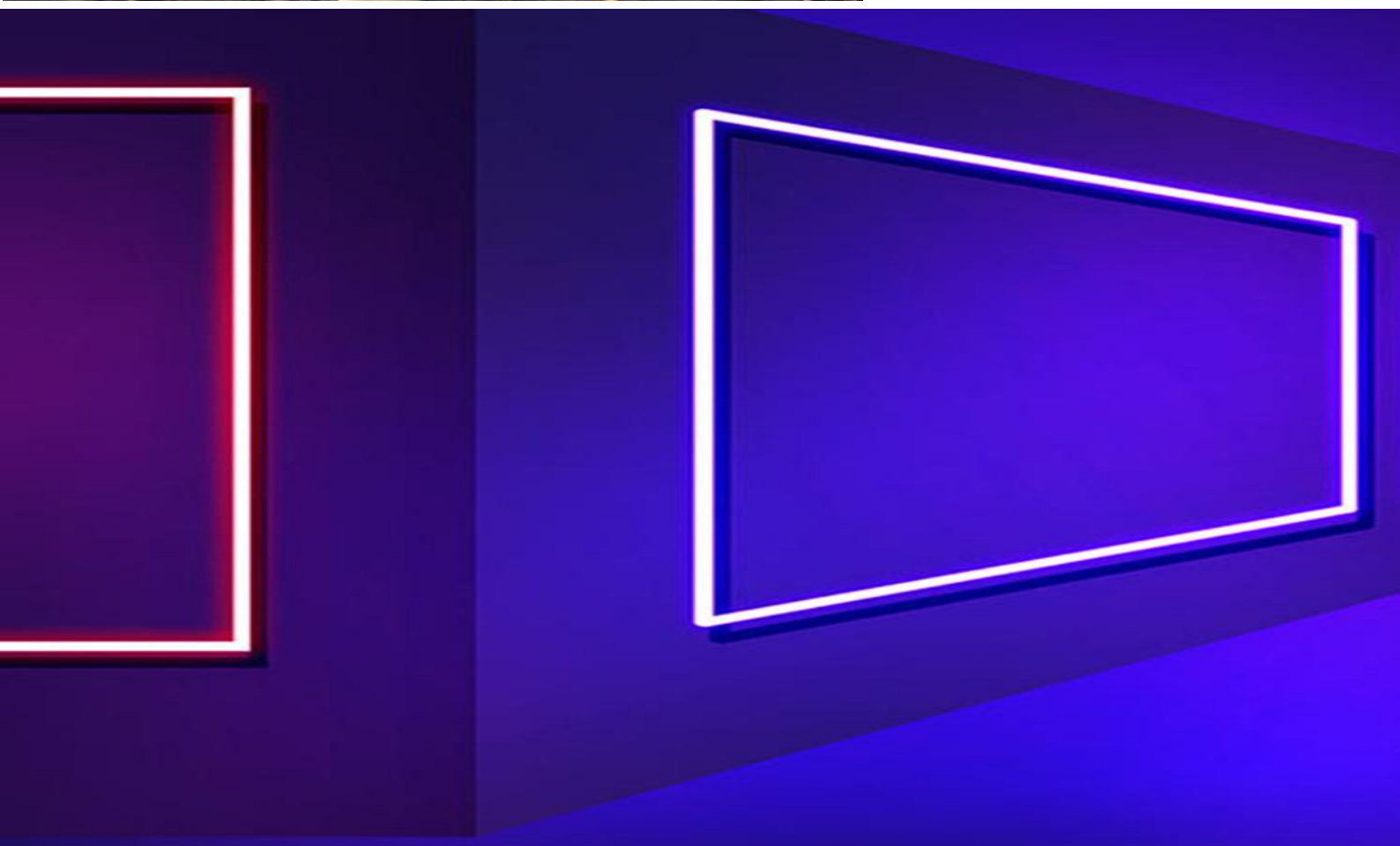
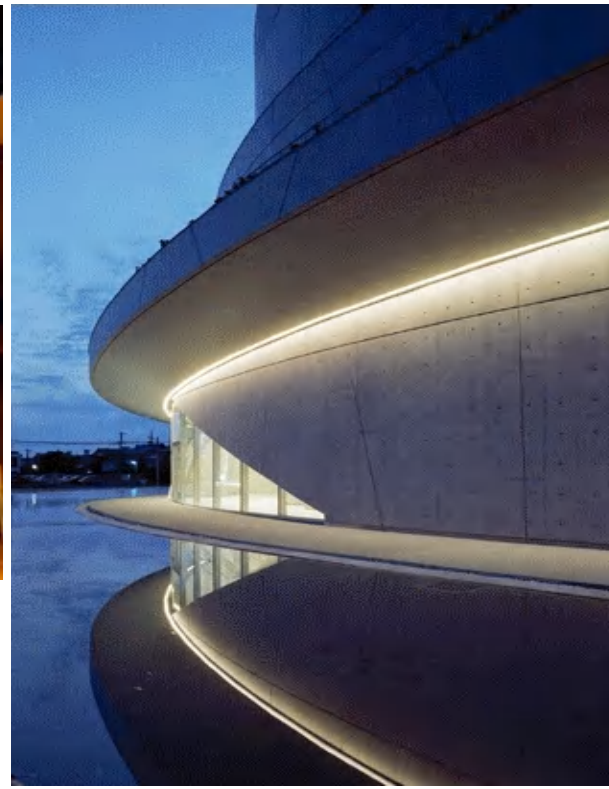
End cap no hole

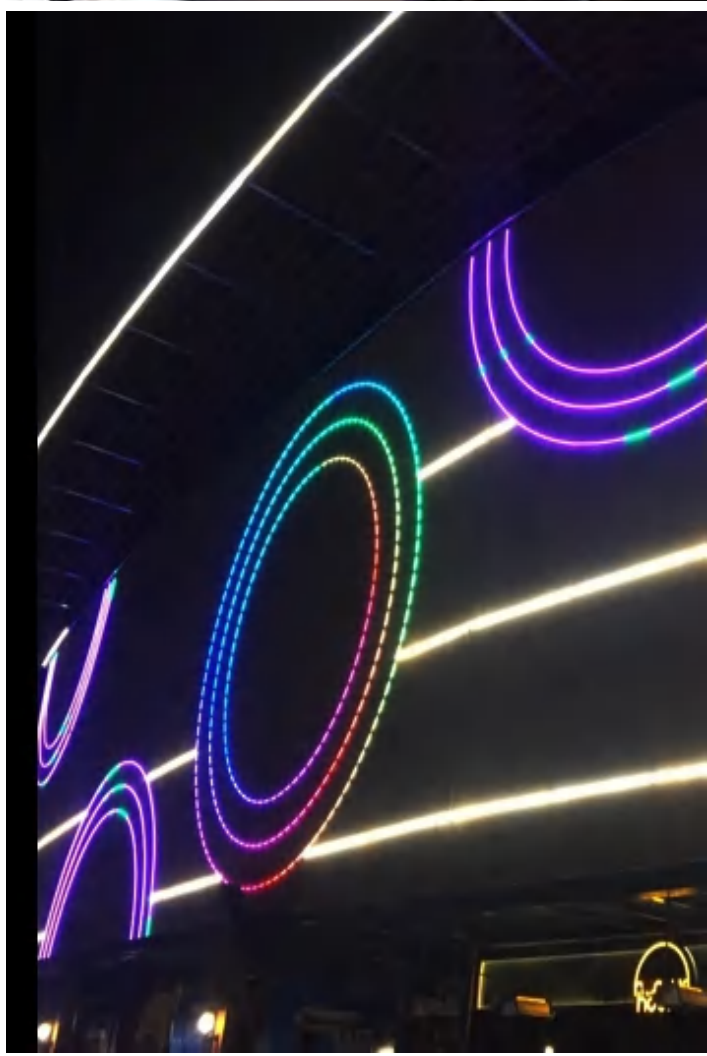
Aluminum Clip

Aluminum Profile

Flexible Profile

Application scenarios





Actual pictures

